

Features

- Lead free as standard
- RoHS compliant*
- Low clamping voltage
- Bidirectional ESD protection
- Protects 2 lines

Applications

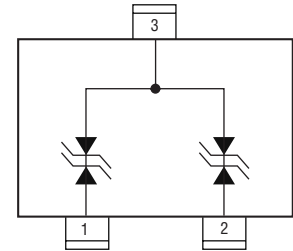
- Computer interface protection
- Microprocessor protection
- Power lines on PCB protection
- Control signal lines protection
- Latchup protection

CDSOT23-0502B - Surface Mount TVS Diode

General Information

The CDSOT23-0502B bidirectional device provides ESD, EFT and Surge protection for high speed data ports meeting IEC 61000-4-2 (ESD), IEC 61000-4-4 (EFT) and IEC 61000-4-5 (Surge) requirements. The Transient Voltage Suppressor array offers a Working Peak Reverse Voltage of 5 V and Minimum Breakdown Voltage of 6 V.

The SOT23-3 packaged device will mount directly onto the industry standard SOT23-3 footprint. Bourns® Chip Diodes are easy to handle with standard pick and place equipment and their flat configuration minimizes roll away.



Electrical & Thermal Characteristics (@ T_A = 25 °C Unless Otherwise Noted)

Parameter	Symbol	Value	Unit
Peak Pulse Current (t _p = 8/20μs)	I _{PPM}	8.5	A
ESD per IEC 61000-4-2 (Air)	V _{ESD IO}	22	kV
ESD per IEC 61000-4-2 (Contact)		15	
Operating Temperature	T _{OPR}	-55 to +125	°C
Storage Temperature	T _{STG}	-55 to +150	°C
Minimum Reverse Breakdown Voltage @ 1mA	V _{BR}	6.0	V
Reverse Standoff Voltage	V _M	5	V
Maximum Leakage Current @ V _{WM}	I _L	2.5	μA
Maximum Clamping Voltage ¹ @ I _{PP} =5 A contact	V _{CL1}	8	V
Maximum Clamping Voltage ² @ I _{PP} =7 A contact	V _{CL2}	9	V
Max Channel Input Capacitance @ 0 V, 1 MHz	C _N	15	pF

Note: Test between Pins 1 to 3, and Pins 2 to 3.



Asia-Pacific: Tel: +886-2 2562-4117 • Fax: +886-2 2562-4116
Europe: Tel: +41-41 768 5555 • Fax: +41-41 768 5510
The Americas: Tel: +1-951 781-5500 • Fax: +1-951 781-5700
www.bourns.com

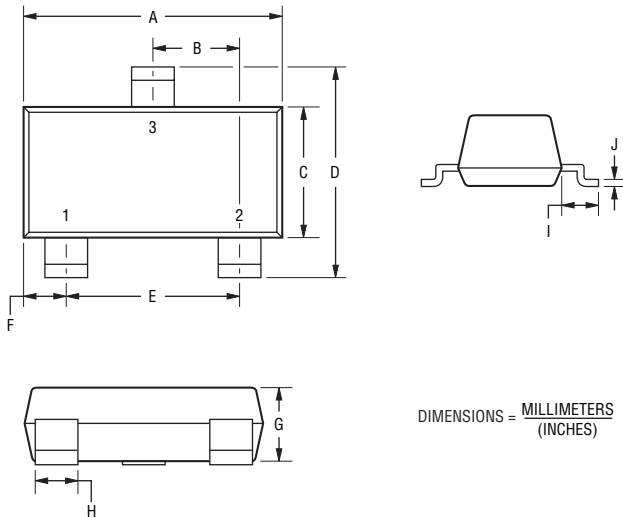
*RoHS Directive 2002/95/EC Jan 27 2003 including Annex.
 Specifications are subject to change without notice.
 Customers should verify actual device performance in their specific applications

CDSOT23-0502B - Surface Mount TVS Diode

BOURNS®

Product Dimensions

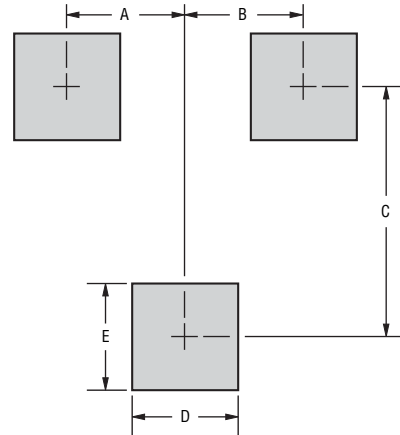
This is a molded SOT23-3L package with lead free 100 % Matte Sn on the lead frame. It weighs approximately 8 mg and has a flammability rating of UL 94V-0.



DIMENSIONS = MILLIMETERS
(INCHES)

Dimensions	
A	$\frac{2.82 - 3.02}{(0.111 - 0.119)}$
B	$\frac{0.95}{(0.037)}$ TYP.
C	$\frac{1.20 - 1.40}{(0.047 - 0.055)}$
D	$\frac{2.25 - 2.55}{(0.089 - 0.100)}$
E	$\frac{1.80 - 2.00}{(0.071 - 0.079)}$
F	$\frac{0.45 - 0.60}{(0.018 - 0.024)}$
G	$\frac{0.90 - 1.05}{(0.035 - 0.041)}$
H	$\frac{0.30 - 0.40}{(0.012 - 0.016)}$
I	$\frac{0.55}{(0.022)}$ REF.
J	$\frac{0.08 - 0.15}{(0.003 - 0.006)}$

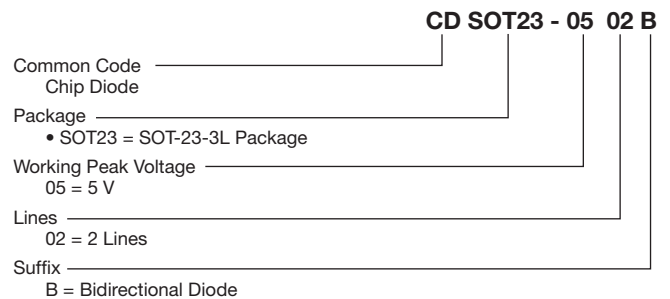
Recommended Footprint



DIMENSIONS = MILLIMETERS
(INCHES)

Dimensions	
A	$\frac{0.95}{(0.037)}$
B	$\frac{0.95}{(0.037)}$
C	$\frac{2.00}{(0.079)}$
D	$\frac{0.85}{(0.033)}$
E	$\frac{0.85}{(0.033)}$

How to Order

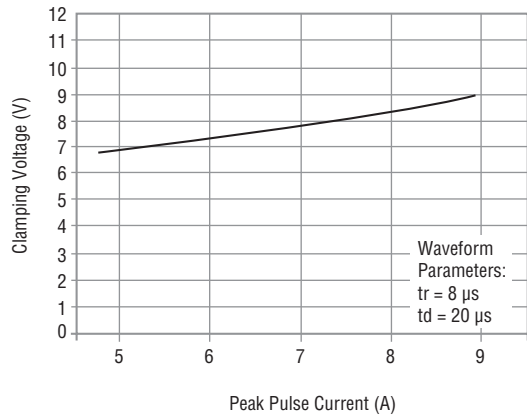


CDSOT23-0502B - Surface Mount TVS Diode

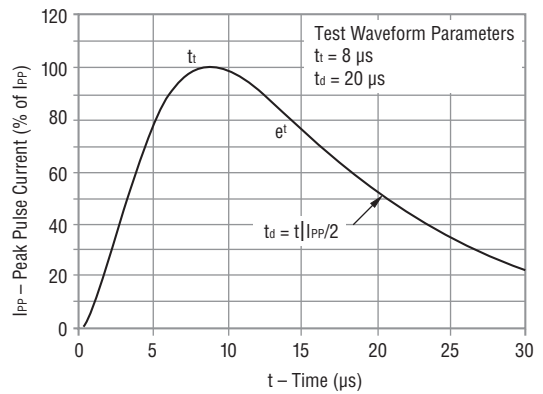


Rating & Characteristic Curves

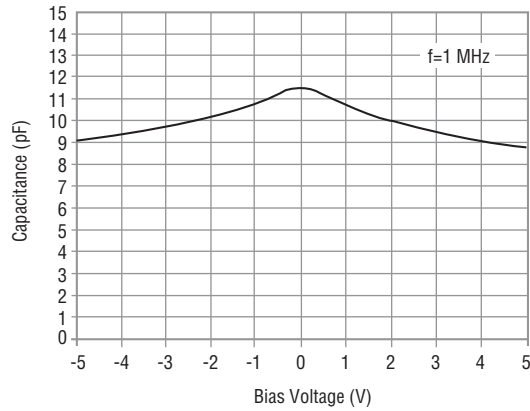
Clamping Voltage vs Peak Pulse Current



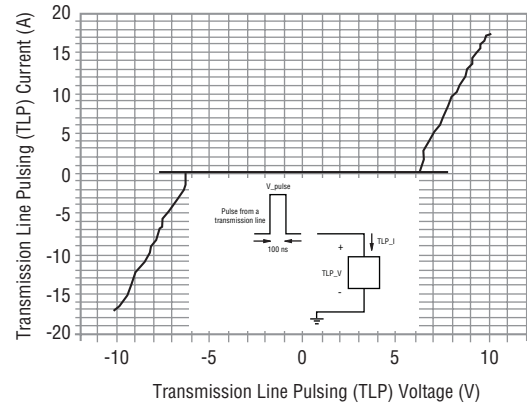
Pulse Waveform



Typical variation of C_{IN} vs. V_{IN}



Transmission Line Pulse Measurement



Typical Part Marking

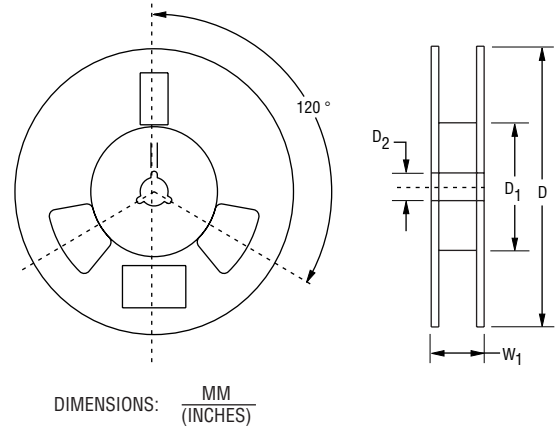
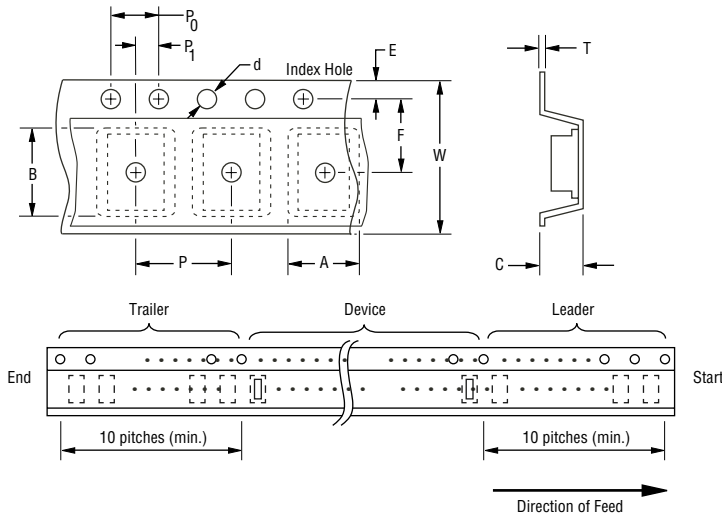
CDSOT23-0502B 52B

CDSOT23-0502B - Surface Mount TVS Diode

BOURNS®

Packaging Information

The product is dispensed in tape and reel format (see diagram below).



Devices are packed in accordance with EIA standard RS-481-A.

Item	Symbol	SOT-23
Carrier Width	A	$\frac{2.25 \pm 0.10}{(0.088 - 0.004)}$
Carrier Length	B	$\frac{2.34 \pm 0.10}{(0.092 - 0.004)}$
Carrier Depth	C	$\frac{1.22 \pm 0.10}{(0.048 - 0.004)}$
Sprocket Hole	d	$\frac{1.55 \pm 0.05}{(0.061 - 0.002)}$
Reel Outside Diameter	D	$\frac{178}{(7.008)}$
Reel Inner Diameter	D ₁	$\frac{50.0}{(1.969)}$ Min.
Feed Hole Diameter	D ₂	$\frac{13.0 \pm 0.20}{(0.512 \pm 0.008)}$
Sprocket Hole Position	E	$\frac{1.75 \pm 0.10}{(0.069 \pm 0.004)}$
Punch Hole Position	F	$\frac{3.50 \pm 0.05}{(0.138 \pm 0.002)}$
Punch Hole Pitch	P	$\frac{4.00 \pm 0.10}{(0.157 - 0.004)}$
Sprocket Hole Pitch	P ₀	$\frac{4.00 \pm 0.10}{(0.157 \pm 0.004)}$
Embossment Center	P ₁	$\frac{2.00 \pm 0.05}{(0.079 \pm 0.002)}$
Overall Tape Thickness	T	$\frac{0.20 \pm 0.10}{(0.008 \pm 0.004)}$
Tape Width	W	$\frac{8.00 \pm 0.20}{(0.315 - 0.008)}$
Reel Width	W ₁	$\frac{14.4}{(0.567)}$ Max.
Quantity per Reel	--	3,000