

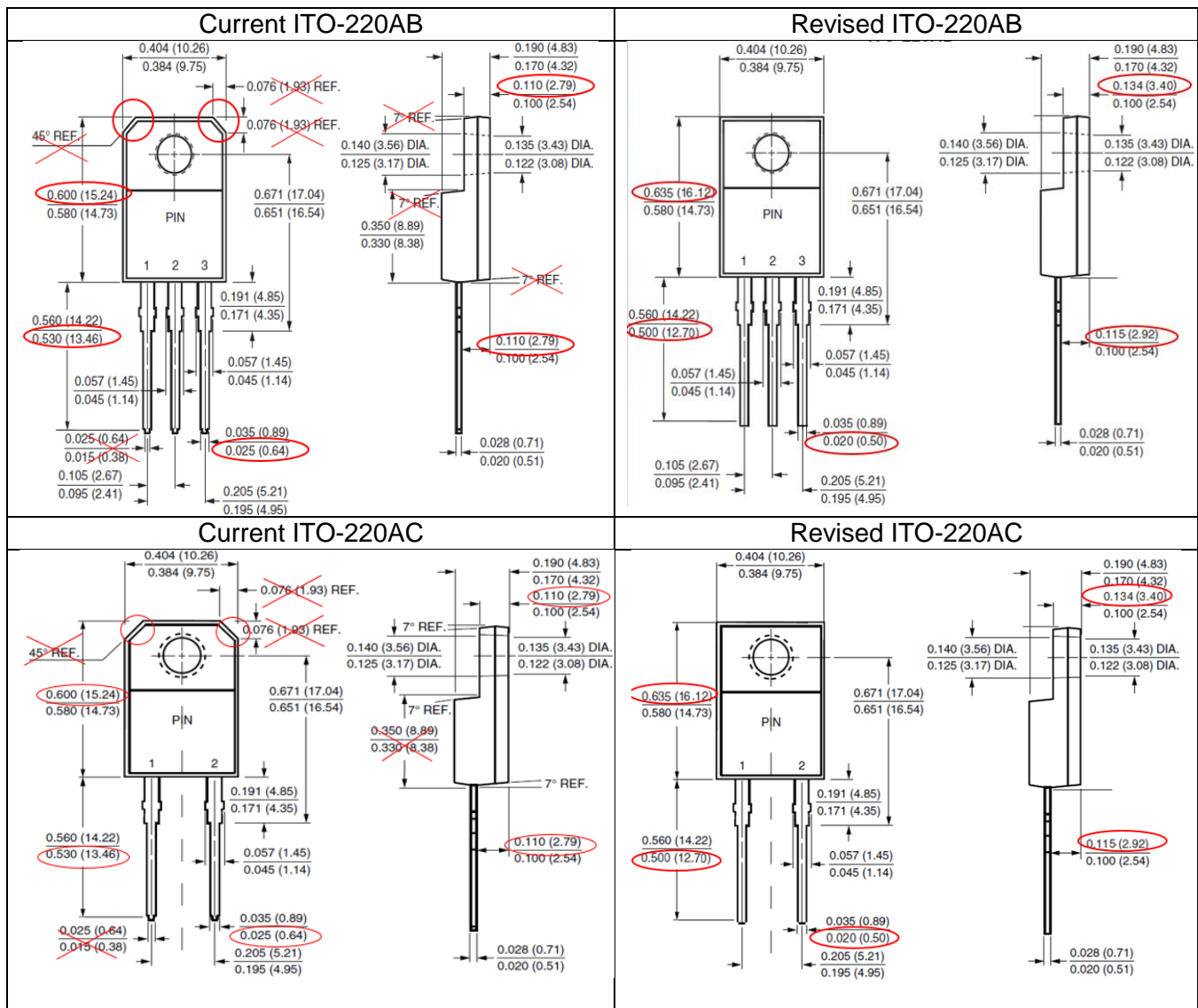


Addition Assembly Site for TMBS in ITO-220 Wire Bond Packages

DESCRIPTION OF CHANGE:

Vishay Diodes Division is introducing the addition of the Vishay TMBS product in ITO-220 wire bond assembly outsourced package, at the two subcontractors in Shandong, China. These two subcontractors were already introduced before for TO-220 wire bond assembly lines thru. PCN-DD-008-2016 and PCN-DD-003-2017.

With the qualification of the new subcontractors, the ITO-220AB & ITO-220AC Package Outline Dimension (POD) of 45V~200V TMBS products will be consolidated with the updated drawings as below:





Product Change Notification



Product Group: Diodes Division / May 18, 2018 / PCN-DD-011-2018 Rev. 0

CLASSIFICATION OF CHANGE: Addition of outsourced package and assembly site.

REASON FOR CHANGE: Capacity expansion for improving delivery support.

EXPECTED INFLUENCE ON QUALITY/RELIABILITY/PERFORMANCE:

There will be no effect on quality, reliability, or electrical performance.

PRODUCT CATEGORY: Rectifiers

PART NUMBERS/SERIES/FAMILIES AFFECTED: Involved P/N list are listed in attached table.

| Part Number | Part Number | Part Number | Part Number |
|--------------------|-----------------|------------------|------------------|
| MBRF10100CT-E3/4W | VF20150SG-M3/4W | VF40100G-E3/4W | VFT2080C-E3/4W |
| MBRF10100-E3/4W | VF20150S-M3/4W | VF40100G-M3/4W | VFT2080C-M3/4W |
| MBRF10100-M3/4W | VF20200C-E3/4W | VF40120C-E3/4W | VFT2080C-M3R/4W |
| MBRF1090-E3/4W | VF20200G-E3/4W | VF40120C-M3/4W | VFT2080S-E3/4W |
| MBRF1090-M3/4W | VF20202C-M3/4W | VF40150C-E3/4W | VFT2080S-M3/4W |
| MBRF20100CT-E3/4W | VF20202G-M3/4W | VF40150C-E3R/4W | VFT3045BP-M3/4W |
| MBRF20100CT-M3/4W | VF20M120C-M3/4W | VF40150C-M3/4W | VFT3045CBP-M3/4W |
| MBRF2090CT-E3/4W | VF30100C-E3/4W | VF40M120C-M3/4W | VFT3045C-M3/4W |
| MBRF2090CT-M3/4W | VF30100C-E3R/4W | VF60100C-M3/4W | VFT3060C-E3/4W |
| VF10150C-E3/4W | VF30100C-M3/4W | VF60100C-M3R/4W | VFT3060C-M3/4W |
| VF10150C-M3/4W | VF30100C-RE3/4W | VF60120C-M3/4W | VFT3060G-E3/4W |
| VF10150S-E3/4W | VF30100S-E3/4W | VFT10200C-E3/4W | VFT3060G-M3/4W |
| VF10150S-M3/4W | VF30100SG-E3/4W | VFT10202C-M3/4W | VFT3080C-E3/4W |
| VF20100C-5700E3/4W | VF30100SG-M3/4W | VFT1045BP-M3/4W | VFT3080C-M3/4W |
| VF20100C-E3/4W | VF30100S-M3/4W | VFT1045CBP-M3/4W | VFT3080S-E3/4W |
| VF20100C-M3/4W | VF30120C-E3/4W | VFT1045C-M3/4W | VFT3080S-M3/4W |
| VF20100S-E3/4W | VF30120C-M3/4W | VFT1045-M3/4W | VFT30L60C-E3/4W |
| VF20100SG-E3/4W | VF30120S-E3/4W | VFT1060C-E3/4W | VFT30L60C-M3/4W |
| VF20100SG-M3/4W | VF30120SG-E3/4W | VFT1060C-M3/4W | VFT4045BP-M3/4W |
| VF20100S-M3/4W | VF30120SG-M3/4W | VFT1080C-E3/4W | VFT4045C-M3/4W |
| VF20120C-E3/4W | VF30120S-M3/4W | VFT1080C-M3/4W | VFT4060C-E3/4W |
| VF20120C-M3/4W | VF30150C-E3/4W | VFT1080S-E3/4W | VFT4060C-M3/4W |
| VF20120S-E3/4W | VF30150C-M3/4W | VFT1080S-M3/4W | VFT5200-E3/4W |
| VF20120SG-E3/4W | VF30200C-E3/4W | VFT2045BP-M3/4W | VFT5202-M3/4W |
| VF20120SG-M3/4W | VF30202C-M3/4W | VFT2045CBP-M3/4W | VFT6045CBP-M3/4W |
| VF20120S-M3/4W | VF30M120C-M3/4W | VFT2045C-M3/4W | VFT6045C-M3/4W |
| VF20150C-E3/4W | VF40100C-E3/4W | VFT2060C-E3/4W | VFT760-E3/4W |
| VF20150C-M3/4W | VF40100C-E3R/4W | VFT2060C-M3/4W | VFT760-M3/4W |
| VF20150S-E3/4W | VF40100C-M3/4W | VFT2060G-E3/4W | |
| VF20150SG-E3/4W | VF40100C-M3R/4W | VFT2060G-M3/4W | |

Note: Upon this PCN approval, all future ITO-220 wire bonding P/Ns with “-E3” or “-M3” suffix will be shipped from either one of qualified locations.



Product Change Notification



Product Group: Diodes Division / May 18, 2018 / PCN-DD-011-2018 Rev. 0

VISHAY BRAND: Vishay General Semiconductor

TIME SCHEDULE: Start shipment date : July 25, 2018

SAMPLE AVAILABILITY: Available upon request.

PRODUCT IDENTIFICATION: The manufacturing code “E” & “D” will be added followed by date code (XXXXE/MXXE & XXXXD/MXXD) for identification of the new manufacturing sites.

QUALIFICATION DATA: Available upon request.

RESPONSE DATE: This PCN is considered approved, without further notification, unless we receive specific customer written concerns before July 18, 2018 or as specified by contract.

ISSUED BY: R.S. Chin, Product Marketing Director – Rectifiers (Standard & Schottky)

For further information, please contact your regional Vishay office.

Contact Information:

The Americas

Vishay Semiconductors
150 Motor Parkway, Suite 101E
Hauppauge, NY11788 USA
Phone :631 300 3816
Fax : 631 300 3843
Diodes-Americas@vishay.com

Europe

Vishay Semiconductors
Theresienstrasse 2
D-74072 Heilbronn, Germany
Phone : +49 7131 67 3364 (or 3365)
Fax: +49 7131 67 2938
Diodes-Europe@vishay.com

Asia

Vishay Semiconductors
15D, Sun Tong Infoport Plaza
55 Huai Hai West Road, Shanghai, China
Phone: +86 138 1787 2112
Fax: +86 21 5258 7979
Diodes-Asia@vishay.com