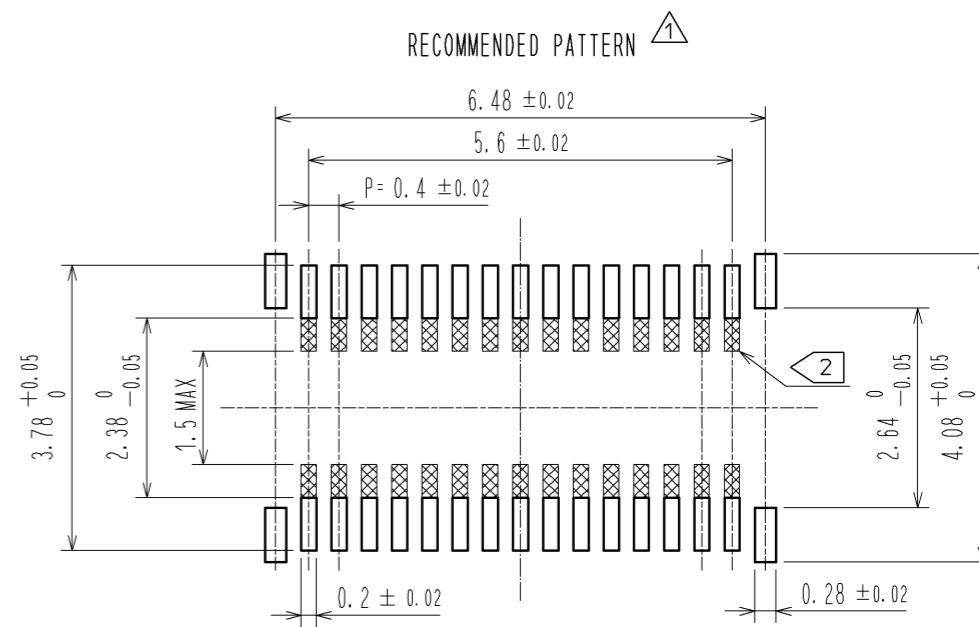
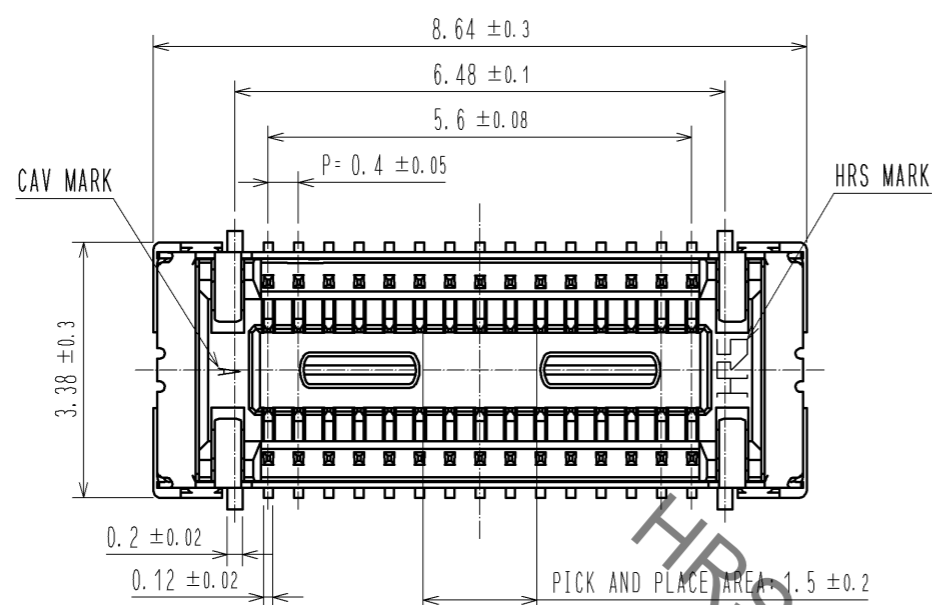
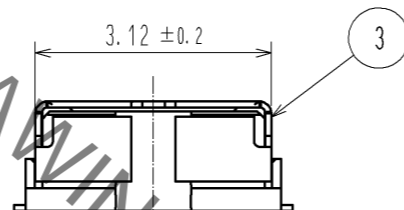
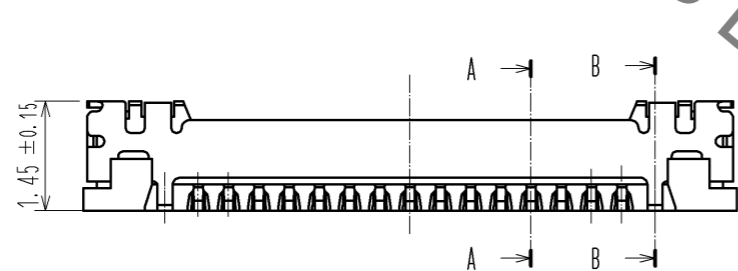


Aug.1.2019 Copyright 2019 HIROSE ELECTRIC CO., LTD. All Rights Reserved.  
 In case of consideration for using Automotive equipment / device which demand high reliability, kindly contact our sales window correspondents.

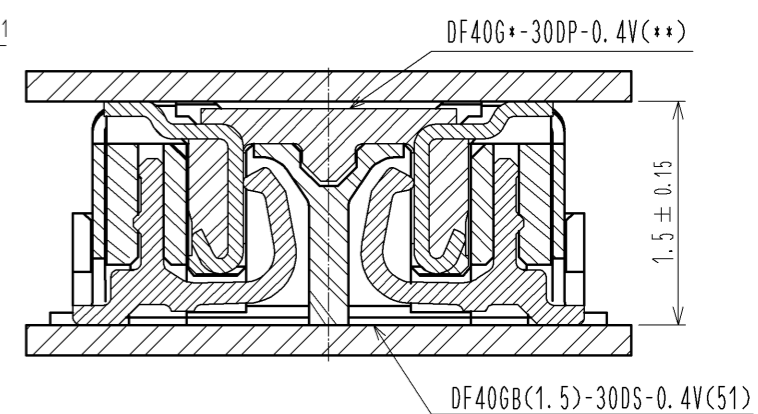
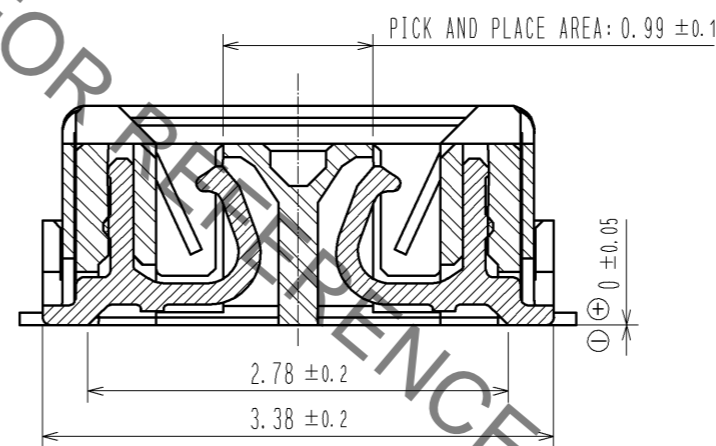


RECOMMENDED METAL MASK THICKNESS: 120 μm  
 RECOMMENDED MASK OPENING RATIO: 80% FOR LEAD PAD

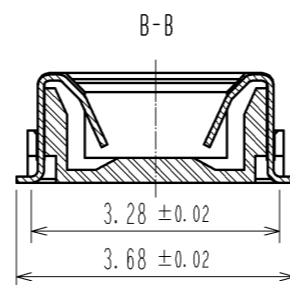


A-A (20:1)

ENGAGEMENT FIGURE(20:1)



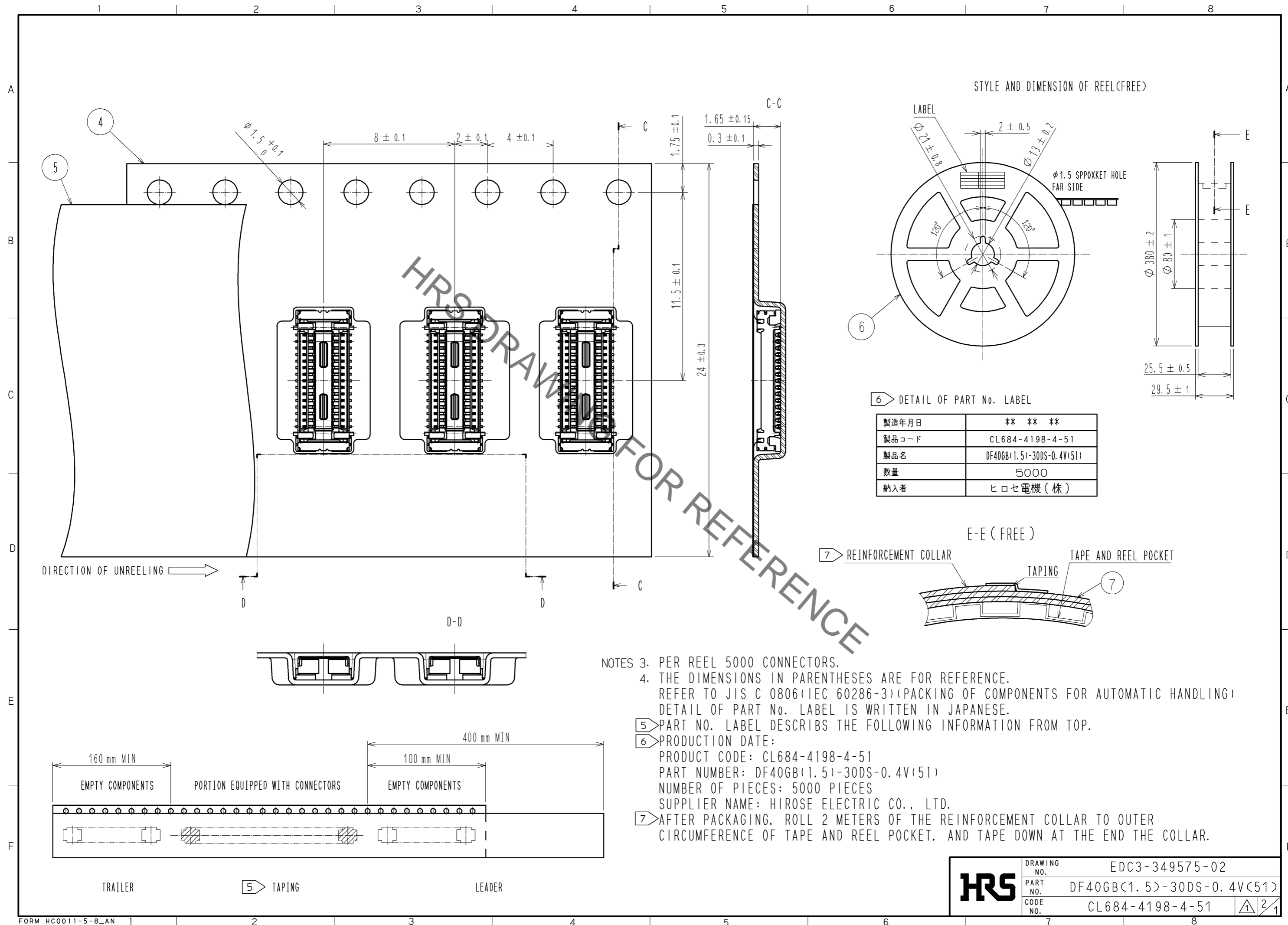
NOTES 1. ALL LEADS METAL FITTINGS CO-PLANARITY SHALL BE 0.1mm MAX.  
 2. IS NON-CONDUCTIVE AREA.



B-B

2	PHOSPHOR BRONZE	CONTACT AREA: GOLD 0.05 μm MIN SMT LEAD: GOLD 0.05 μm MIN UNDERPLATING: NICKEL 1 μm MIN	7	PS	CLEAR(REINFORCEMENT COLLAR)		
1	LCP	BLACK, UL94V-0	6	PS	BLACK(PLASTIC REEL)		
			5	POLYESTER	CLEAR(COVER TAPE)		
			4	PS	CLEAR(EMBOSSED CARRIER TAPE)		
			3	PHOSPHOR BRONZE	CONTACT AREA: GOLD 0.05 μm MIN SMT LEAD: GOLD 0.05 μm MIN UNDERPLATING: NICKEL 1 μm MIN		
NO.	MATERIAL	FINISH . REMARKS	NO.	MATERIAL	FINISH . REMARKS		
UNITS		SCALE	COUNT	DESCRIPTION OF REVISIONS	DESIGNED	CHECKED	DATE
mm		10 : 1	1	DIS-H-008439	TY. YAMASAKI	TS. MIYAZAKI	14. 01. 17
<b>HRS</b> HIROSE ELECTRIC CO., LTD.		APPROVED : KH. IKEDA	13. 01. 31	DRAWING NO. EDC3-349575-02			
		CHECED : TS. MIYAZAKI	13. 01. 31	PART NO. DF40GB(1.5)-30DS-0.4V(51)			
		DESIGNED : TY. YAMASAKI	13. 01. 30	CODE NO. CL684-4198-4-51			
		DRAWN : TY. YAMASAKI	13. 01. 30				

Aug.1.2019 Copyright 2019 HIROSE ELECTRIC CO., LTD. All Rights Reserved.  
 In case of consideration for using Automotive equipment / device which demand high reliability, kindly contact our sales window correspondents.



<b>HRS</b>	DRAWING NO.	EDC3-349575-02
	PART NO.	DF40GB(1.5)-30DS-0.4V(51)
	CODE NO.	CL684-4198-4-51
		$\frac{2}{1}$