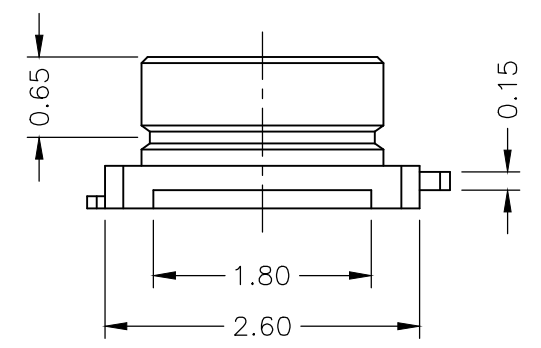
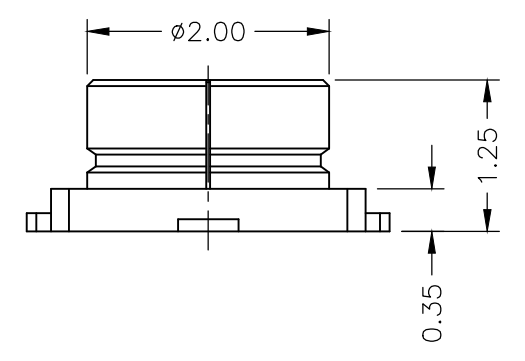
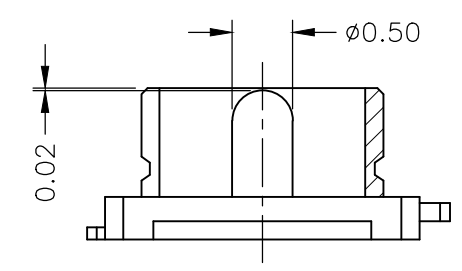
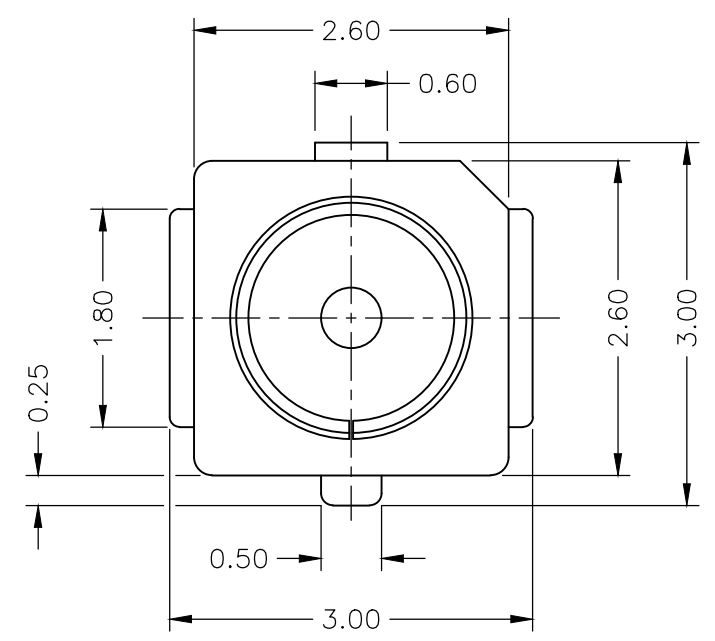


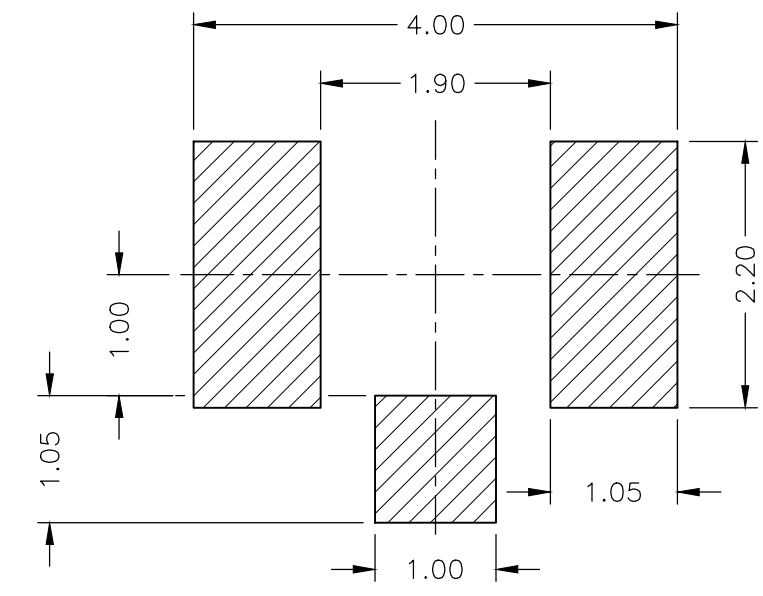
THIS DRAWING IS UNPUBLISHED. RELEASED FOR PUBLICATION
 © COPYRIGHT - By - ALL RIGHTS RESERVED.

LOC	DIST	REVISIONS			
P	LTR	DESCRIPTION	DATE	DWN	APVD
AJ	00	B3	ECR-18-010179	29JUN2018	RZ RS

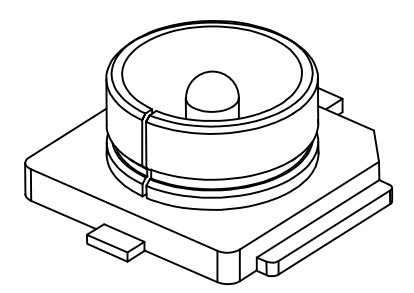
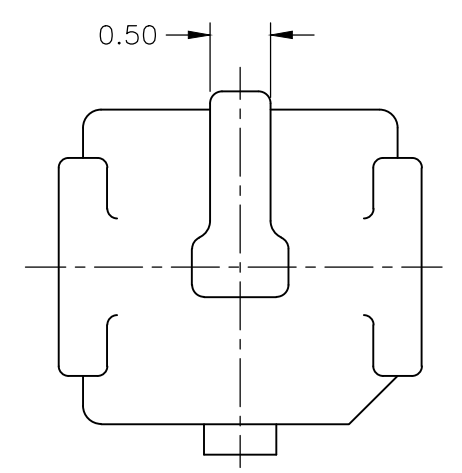


NOTES

- 1 PACKAGING: 5K/REEL x 6 = 30K PER BOX.
- 2 MATERIAL & FINNISH:
 - 2.1 CONTACT MATERIAL: COPPER ALLOY.
 - 2.2 INSULATOR: HIGH TEMPERATURE PLASTIC UL94V-0..
 - 2.3 CONTACT FINISH: GOLD 5U" ON MATING AREA,GOLD FLASH ON SOLDER TAILS, ALL OVER 50U" NICKEL(MIN.) UNDER PLATED.



RECOMMENDED PCB LAYOUT



1909763-1
PART NUMBER

Q'TY	U/M	DESCRIPTION	ITEM NO.
1	EA	GROUND PAD: METAL SHELL, GOLD PLATING	3
1	EA	CENTER PIN: CENTER CNT, GOLD PLATING	2
1	MM	HOUSING: OVER MOLD HOUSING, LCP,IVORY,UL94V-0	1

THIS DRAWING IS A CONTROLLED DOCUMENT.		DWN GARY GAO 16Aug2010		TE Connectivity MINI. RF HEADER	
DIMENSIONS: mm [INCHES]		CHK RITA ZUO 16Aug2010			
TOLERANCES UNLESS OTHERWISE SPECIFIED:		APVD JONGSENG GOH 16Aug2010			
0 PLC ± 0.5 1 PLC ± 0.35 2 PLC ± 0.25 3 PLC ± 0.05 4 PLC ± - ANGLES ± 3°		NAME			
MATERIAL SEE NOTE		FINISH SEE NOTE		PRODUCT SPEC 108-112005	
		WEIGHT -		APPLICATION SPEC	
		SIZE A3		CAGE CODE 00779	
		DRAWING NO C-1909763		RESTRICTED TO -	
		CUSTOMER DRAWING		SCALE 16:1	
				SHEET 1 OF 2	
				REV B3	

4

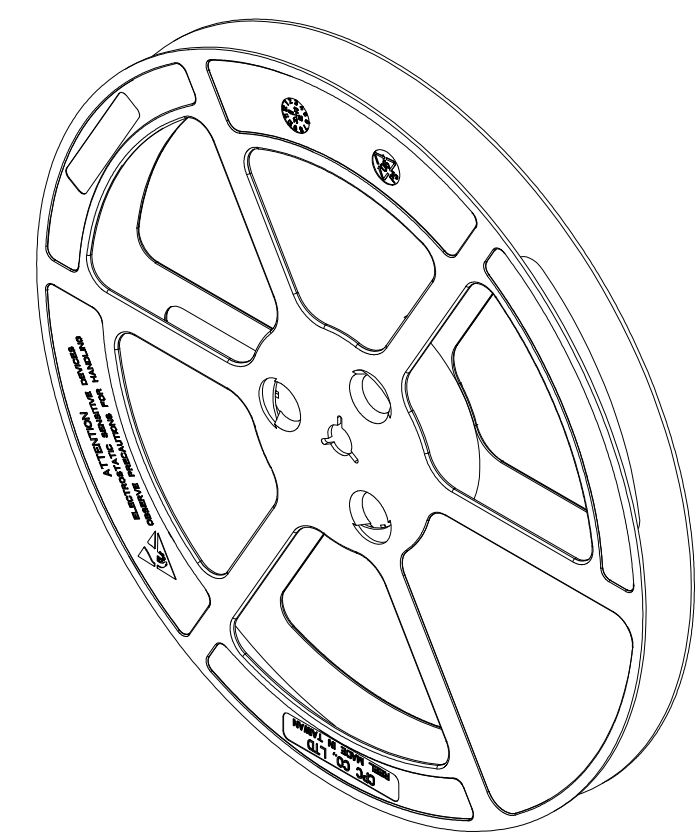
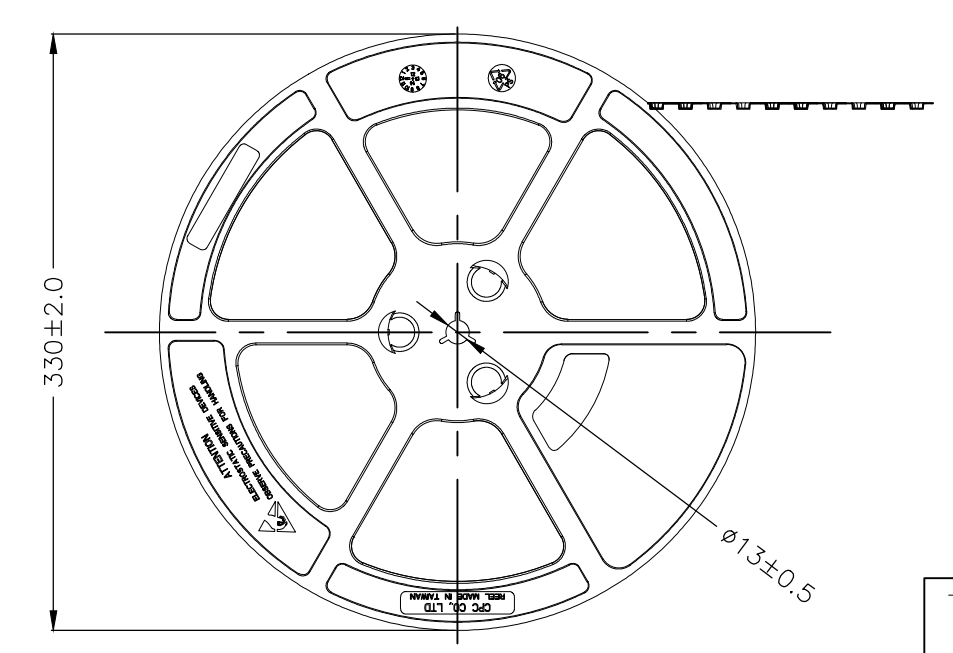
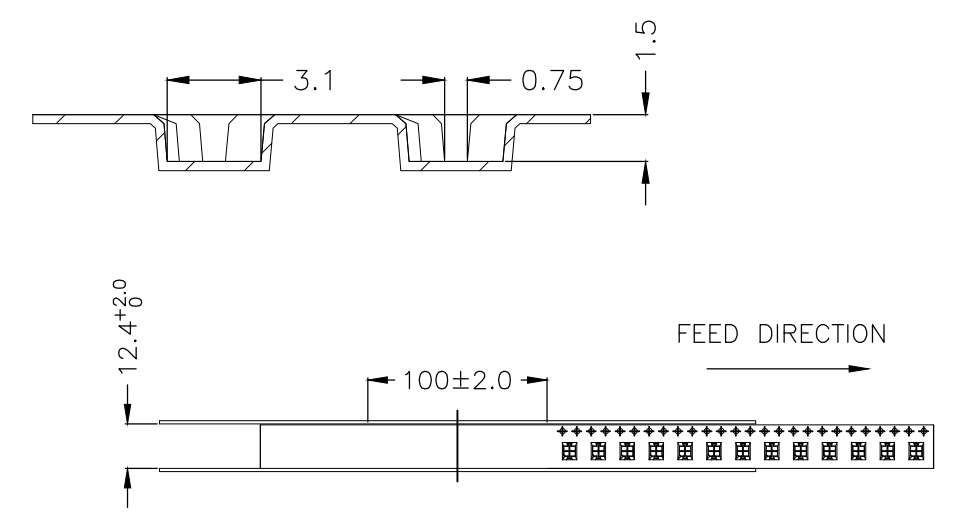
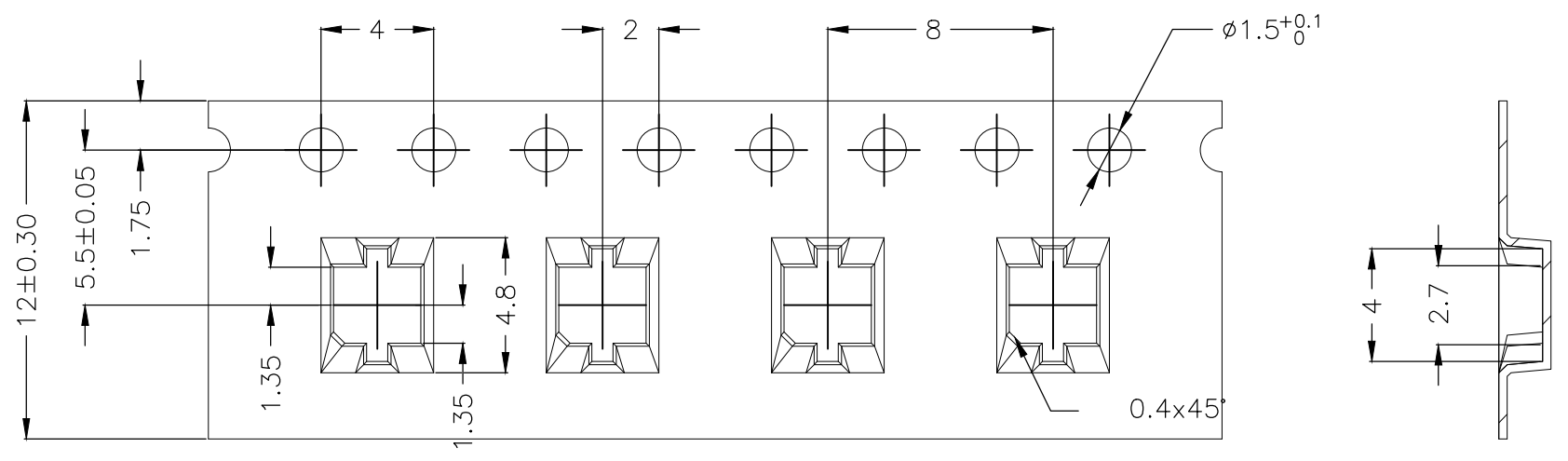
3


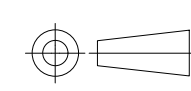
2

1

THIS DRAWING IS UNPUBLISHED. RELEASED FOR PUBLICATION
 © COPYRIGHT - By - ALL RIGHTS RESERVED.

LOC	DIST	REVISIONS					
AJ	00	P	LTR	DESCRIPTION	DATE	DWN	APVD
		-		SEE SHEET 1	-	-	-



THIS DRAWING IS A CONTROLLED DOCUMENT.		DWN GARY GAO 16Aug2010	 TE Connectivity	
DIMENSIONS: mm [INCHES] 		CHK RITA ZUO 16Aug2010		
TOLERANCES UNLESS OTHERWISE SPECIFIED: 0 PLC ± 0.15 1 PLC ± 0.10 2 PLC ± 0.10 3 PLC ± - 4 PLC ± - ANGLES ± 3°		APVD JONGSENG GOH 16Aug2010	NAME	
MATERIAL SEE NOTE		FINISH SEE NOTE	108-112005	
		PRODUCT SPEC	MINI. RF HEADER	
		APPLICATION SPEC	SIZE A3	CAGE CODE 00779
		WEIGHT -	DRAWING NO C-1909763	RESTRICTED TO -
		CUSTOMER DRAWING	SCALE NTS	SHEET 2 OF 2
				REV B3