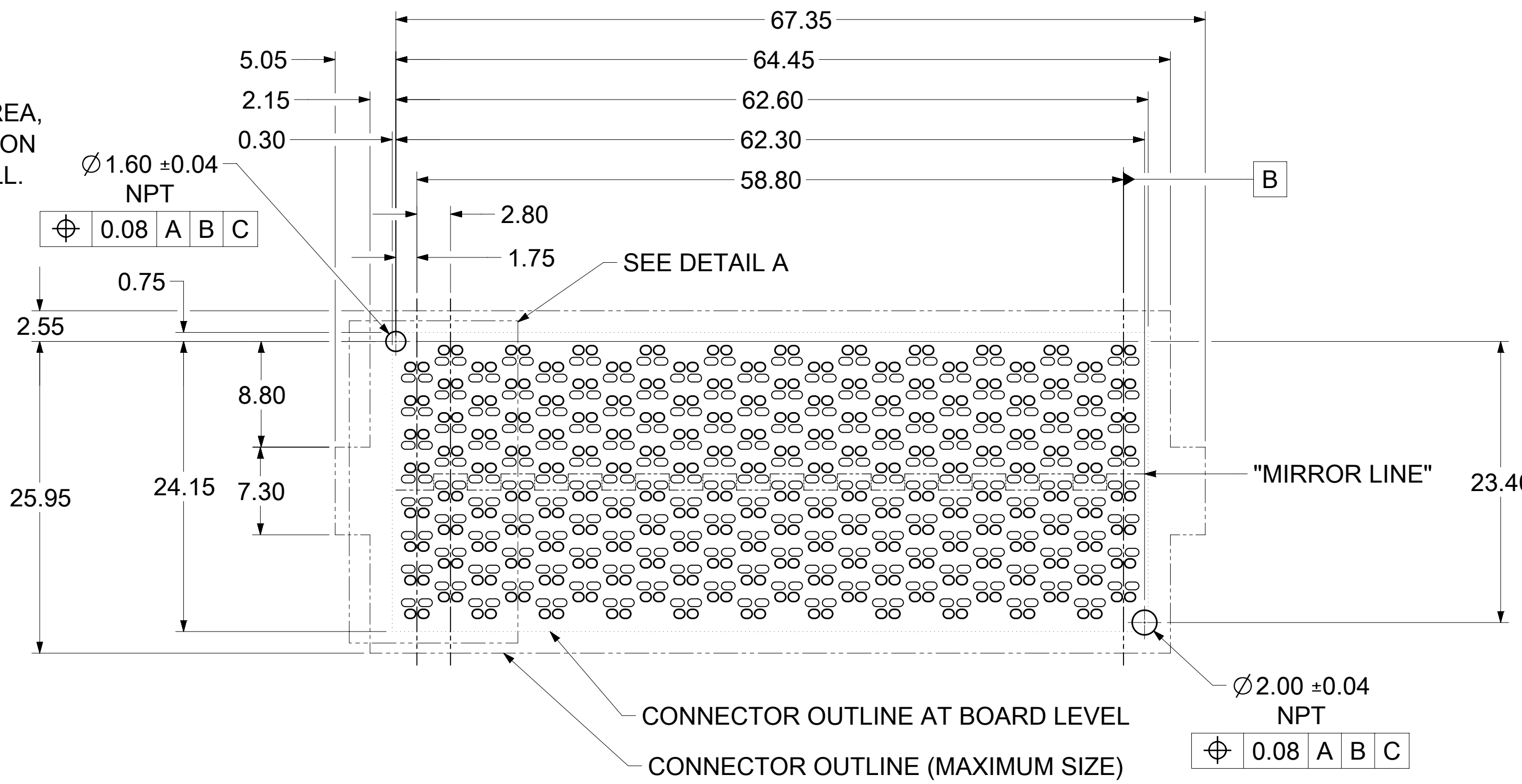
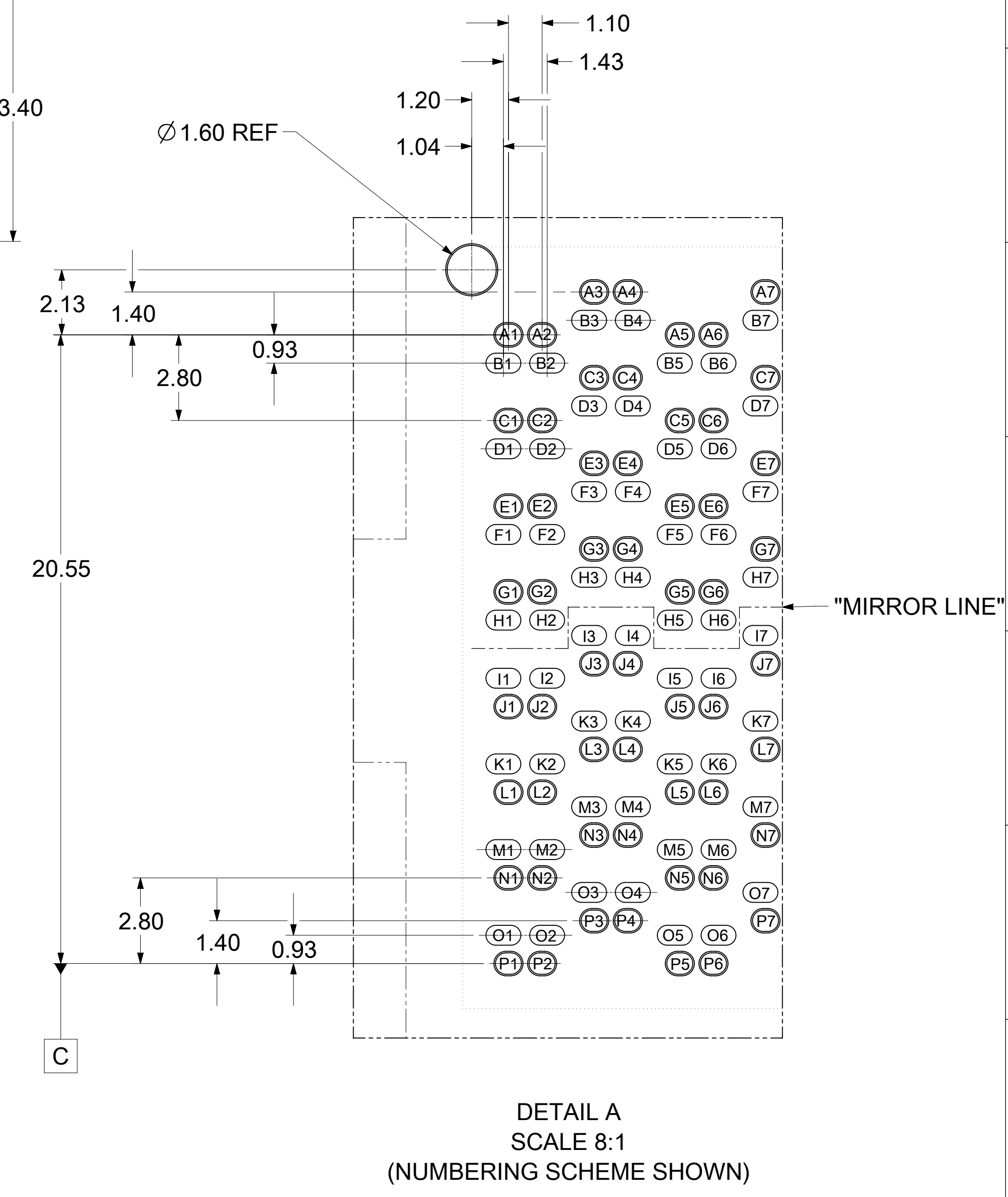
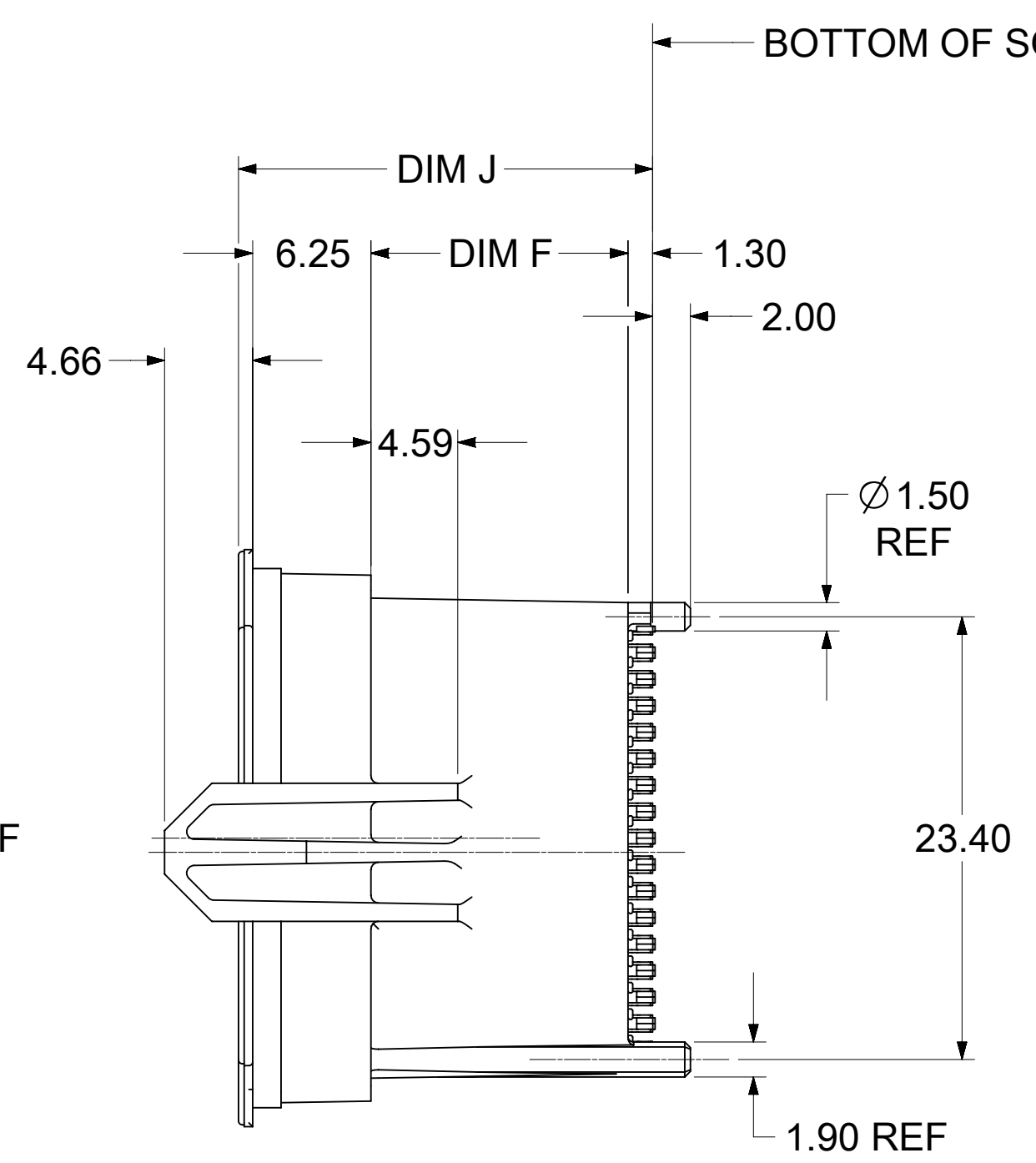
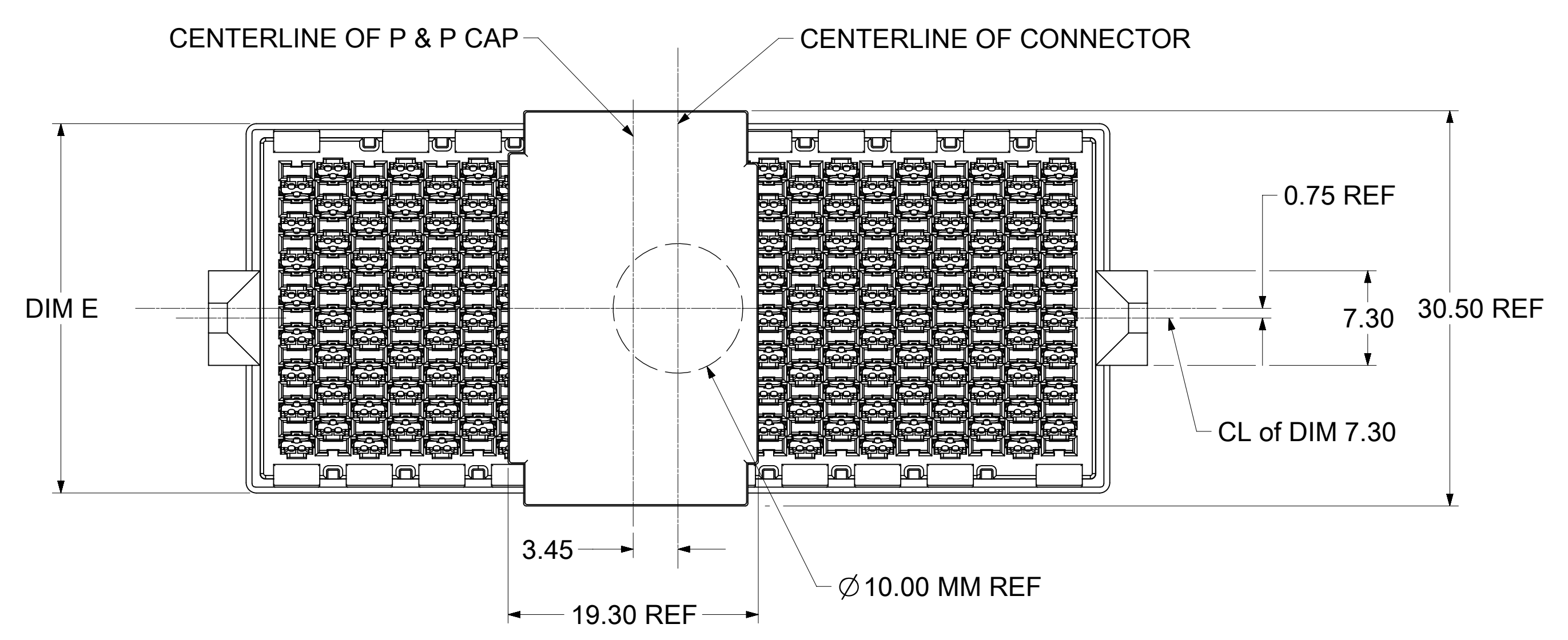
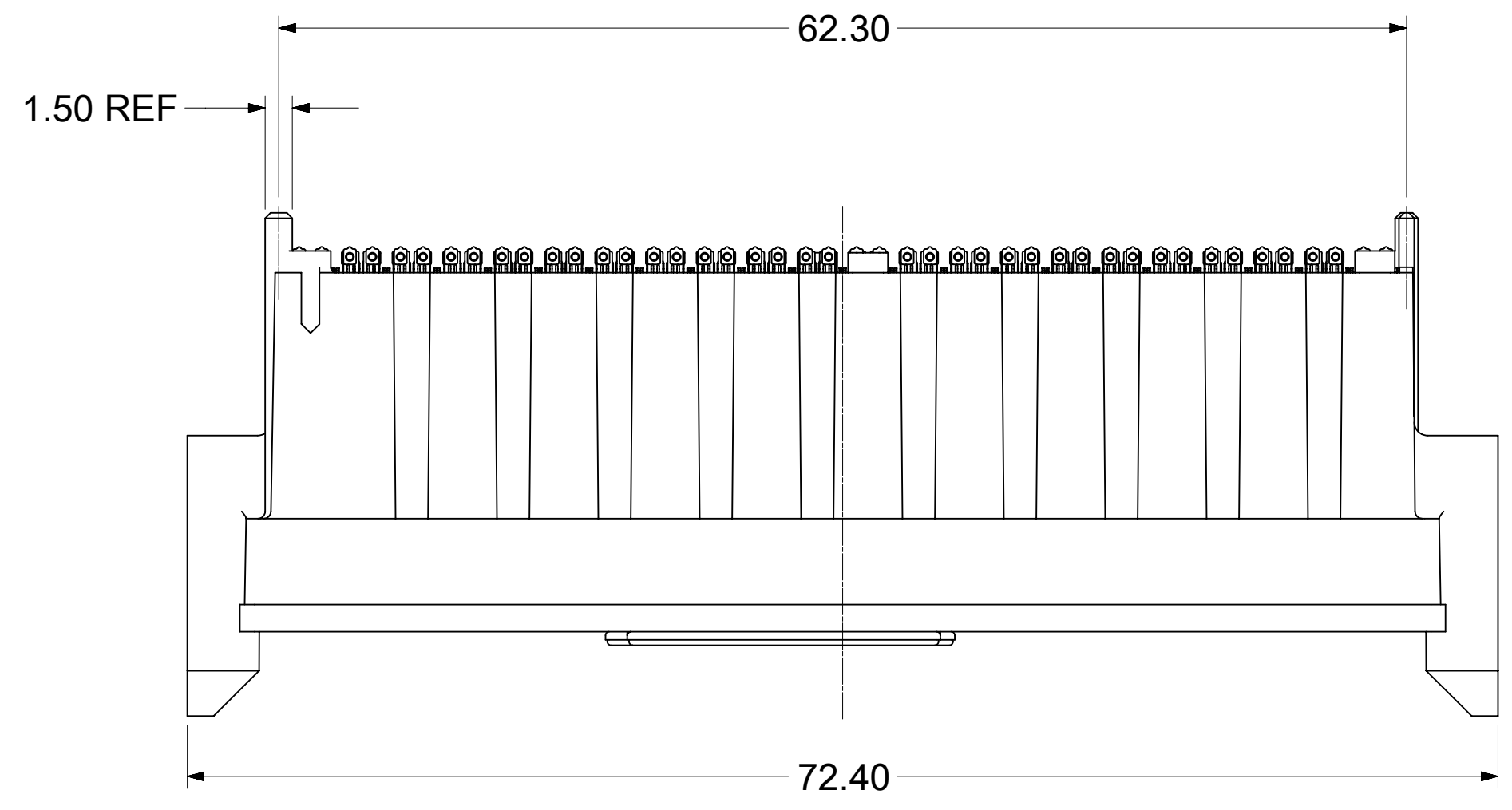


- NOTES:
- HOUSING MATERIAL: LCP, GLASS FILLED, UL 94V-0, BLACK  
CONTACT MATERIAL: HIGH PERFORMANCE COPPER ALLOY  
SOLDER CHARGE: LEAD FREE SOLDER ALLOY
  - FINISH:  
CONTACTS: SELECTIVE GOLD: 30μ INCHES MIN ON CONTACT AREA,  
SELECTIVE TIN: 100μ INCHES MIN ON SOLDERABLE PORTION  
OF SOLDER TAILS; OVER 50μ INCHES MIN NICKEL OVERALL.
  - PRODUCT SPECIFICATION: PS-170807-0001
  - PACKAGING SPECIFICATION: PK-170814-002
  - APPLICATION SPECIFICATION: AS-170807-0001



### FOOT PRINT

- FOOT PRINT NOTES:
- DATUM -A- IS THE TOP OF THE PCB.
  - ALL DIMENSIONS ARE BASICS.



FUNCTIONAL SYMBOLS		THIS DRAWING CONTAINS INFORMATION THAT IS PROPRIETARY TO MOLEX ELECTRONIC TECHNOLOGIES, LLC AND SHOULD NOT BE USED WITHOUT WRITTEN PERMISSION		CURRENT REV DESC: REMASTER DRAWING	
$\nabla_A = 0$	4 PLACES	DIMENSION UNITS: mm	SCALE: 3:1	EC NO: 657356	2021/03/05
$\nabla_C = 0$	3 PLACES	GENERAL TOLERANCES (UNLESS SPECIFIED)		DRWN: MNAGANATH	2021/03/08
$\nabla_D = 0$	2 PLACES	ANGULAR TOL $\pm 0.5^\circ$		CHK'D: JESSIECHUA	2021/03/12
DIVISIONAL SYMBOLS		1 PLACE		APPR: SHONG	
		0 PLACES		INITIAL REVISION:	
		DRAFT WHERE APPLICABLE MUST REMAIN WITHIN DIMENSIONS		DRWN: JESSIECHUA	2014/02/11
		THIRD ANGLE PROJECTION		APPR: SHONG	2014/04/14
		DRAWING: D-SIZE		SERIES: 170814	
		MATERIAL NUMBER: SEE TABLE		CUSTOMER: GENERAL MARKET	
DOCUMENT STATUS: P1		RELEASE DATE: 2021/03/12 06:24:07		REVISION: A2	
SD-170814-8000		PSD 001		1 OF 2	

MATERIAL NUMBER	HEIGHT	TRIAD TYPE AND COUNT			DIM E	DIM F	DIM J	MATE WITH
		85 OHMS	100 OHMS	POWER				
1708142006	18.00MM	N/A	176 PLACES	N/A	28.50	13.59	21.89	1708072006 (22MM)
1708140045	18.00MM	176 PLACES	N/A	N/A	28.50	13.59	21.89	1708070047 (22MM)

FUNCTIONAL SYMBOLS	THIS DRAWING CONTAINS INFORMATION THAT IS PROPRIETARY TO MOLEX ELECTRONIC TECHNOLOGIES, LLC AND SHOULD NOT BE USED WITHOUT WRITTEN PERMISSION		
	DIMENSION UNITS	SCALE	CURRENT REV DESC: REMASTER DRAWING
$\nabla_A = 0$	mm	1:1	EC NO: 657356 DRWN: MNAGANATH 2021/03/05 CHK'D: JESSIECHUA 2021/03/08 APPR: SHONG 2021/03/12
$\nabla_C = 0$	GENERAL TOLERANCES (UNLESS SPECIFIED)		
$\nabla_P = 0$	ANGULAR TOL	$\pm 0.5^\circ$	INITIAL REVISION: DRWN: JESSIECHUA 2014/02/11 APPR: SHONG 2014/04/14
DIVISIONAL SYMBOLS	4 PLACES	$\pm$	
	3 PLACES	$\pm$	DOCUMENT NUMBER <b>SD-170814-8000</b> DOC TYPE PSD DOC PART 001 REVISION <b>A2</b>
	2 PLACES	$\pm 0.15$	
	1 PLACE	$\pm$	MATERIAL NUMBER SEE TABLE CUSTOMER GENERAL MARKET SHEET NUMBER 2 OF 2
	0 PLACES	$\pm$	
	DRAFT WHERE APPLICABLE MUST REMAIN WITHIN DIMENSIONS	THIRD ANGLE PROJECTION	DRAWING <b>D-SIZE</b> SERIES <b>170814</b>

**molex**

RECEPTACLE, NEOSCALE, 8X22  
18MM, 100 OHMS

PRODUCT CUSTOMER DRAWING