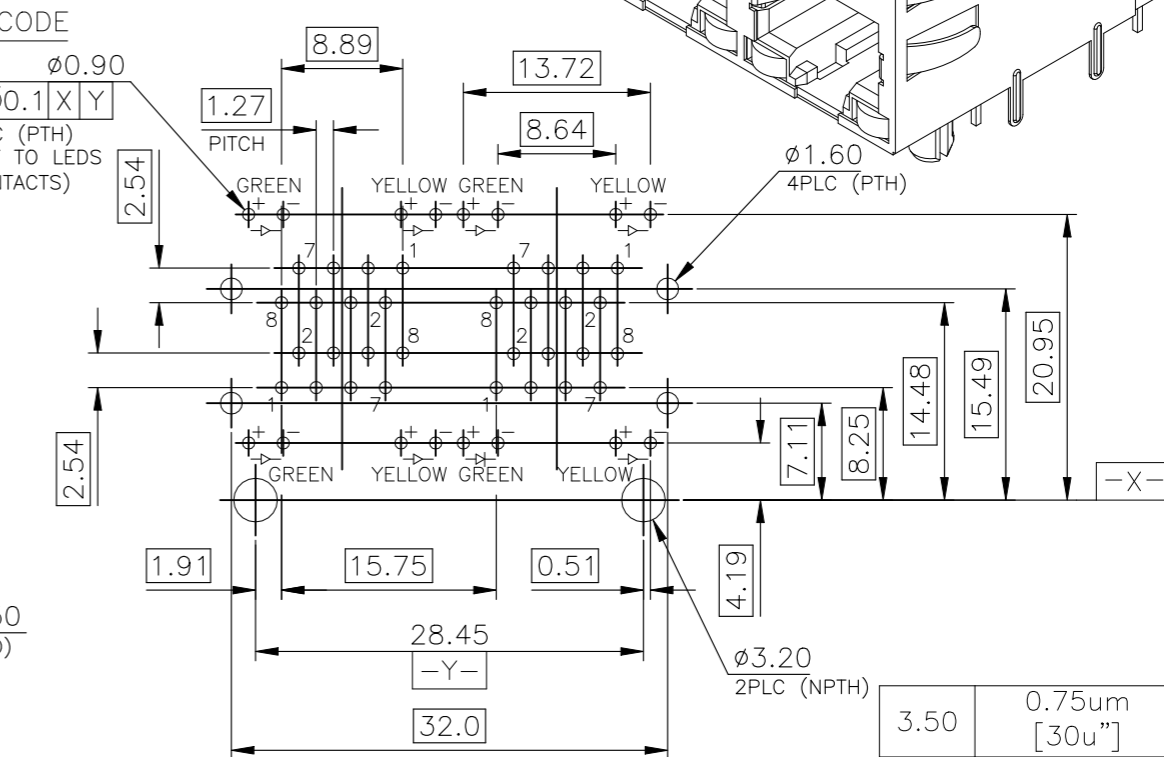
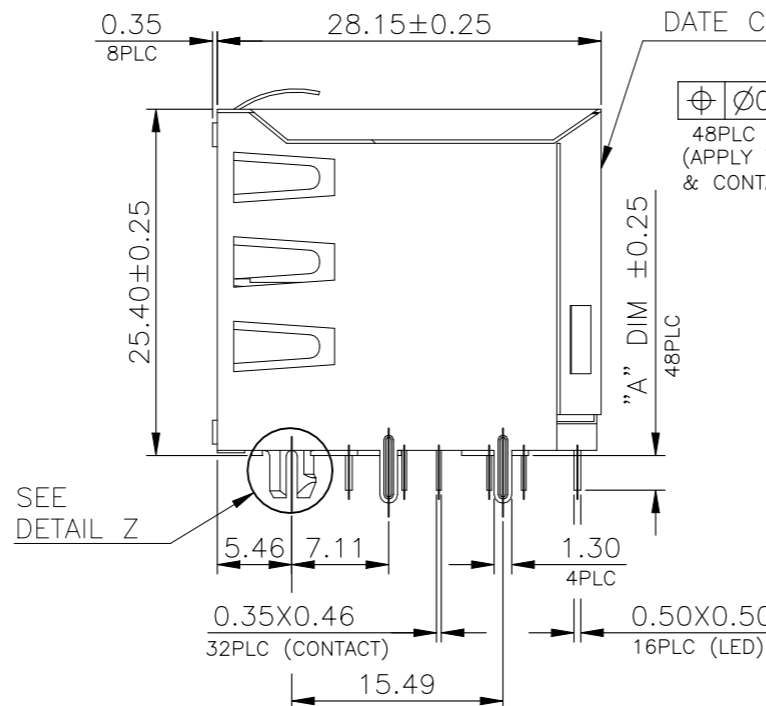
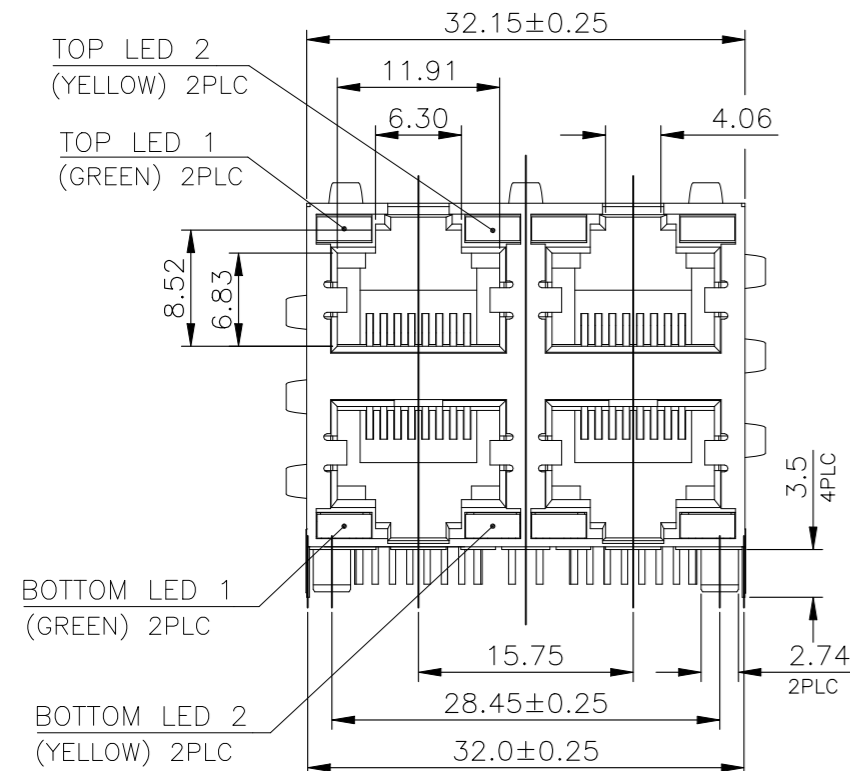
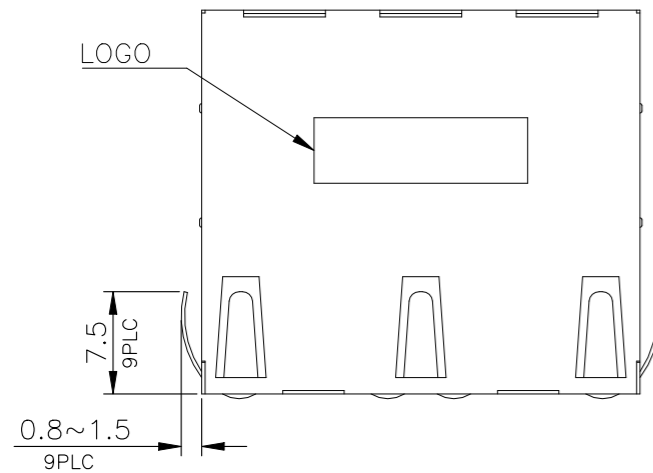
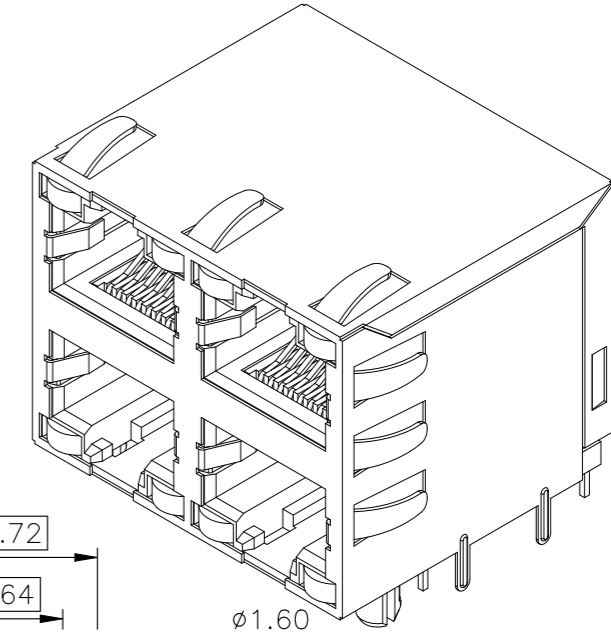


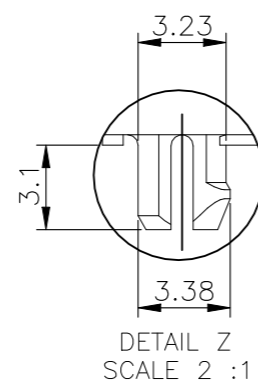
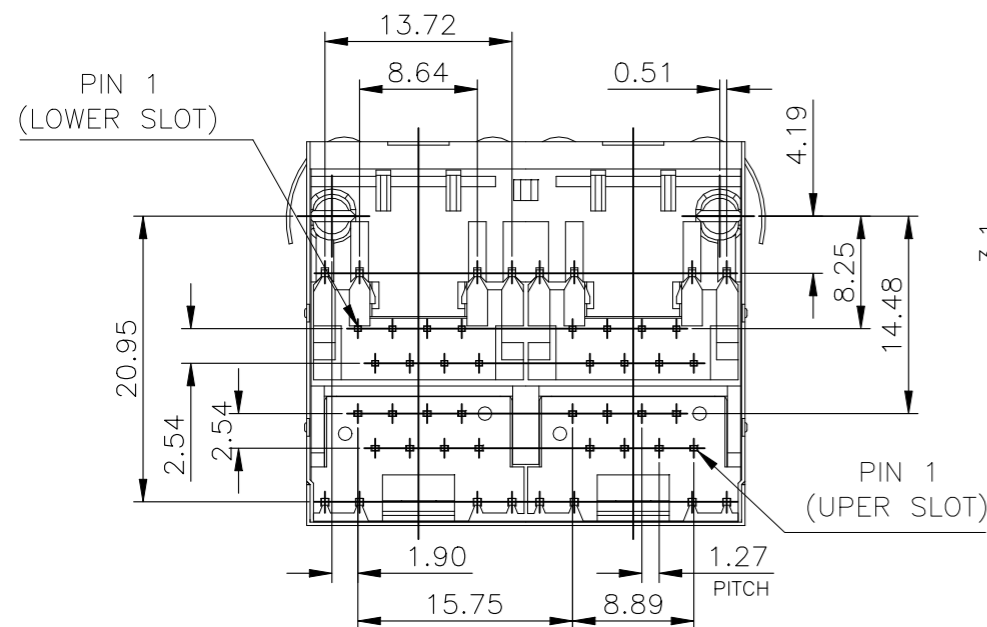
P	LTR	DESCRIPTION	DATE	DWN	APVD
	B2	ECR-21-119223	01NOV2021	RR	SZ

NOTE:

- MATERIAL:
  - HOUSING: PA46, WITH 30% GF, UL94 V-0, BLACK COLOR.
  - CONTACTS: PHOSPHOR BRONZE.
  - SHELL: BRASS.
  - LED SOLDER TAIL: STEEL.
- FINISH:
  - CONTACTS: GOLD PLATING SPEC ON CONTACT AREA PLEASE REFER TO PN SHEET(B1), GOLD FLASH ON SOLDER TAIL, 1.27mm [50μ"] MIN. NICKEL UNDERPLATED OVERALL.
  - SHELL: 0.508mm [20μ"] MIN. NICKEL PLATED.
  - LED SOLDER TAIL: 2.54mm [100μ"] MIN. BRIGHT-TIN PLATED.
- WAVE SOLDER CAPABLE TO 265°C PER TE SPEC. 109-202, CONDITION B.



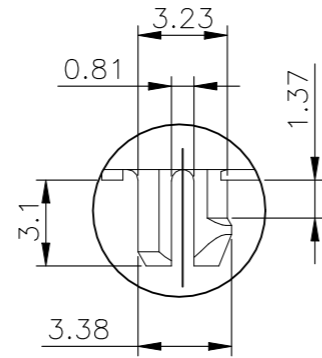
RECOMMENDED PCB LAYOUT (THICKNESS: 1.6MM)  
(DIMENSION TOLERANCE: 1 PLC: ±0.1, 2 PLC:±0.05)



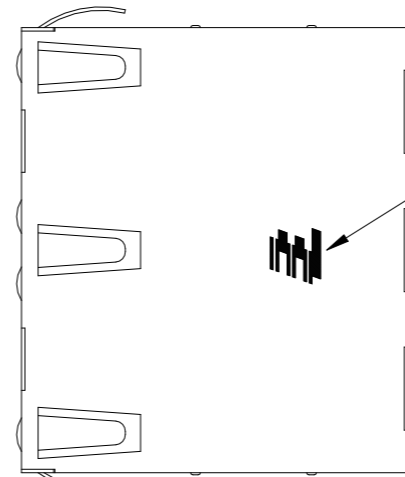
3.50	0.75um [30u"]	2041376-4
2.54	0.75um [30u"]	2041376-2
2.54	0.152um [6u"]	2041376-1
"A" DIM	GOLD PLATING	PART NUMBER

THIS DRAWING IS A CONTROLLED DOCUMENT.		DWN E. LIU 06JULY2011	TE Connectivity	
		CHK S. CHIEN 06JULY2011		
		APVD W. KODAMA 06JULY2011	NAME	
DIMENSIONS: mm		PRODUCT SPEC 108-57879		MODULAR JACK CONNECTOR RJ45 W/LED, 2X2, SIDE ENTRY, SHIELDED DIP TYPE, H=25.4mm
TOLERANCES UNLESS OTHERWISE SPECIFIED:		APPLICATION SPEC		RESTRICTED TO
0 PLC ± -		SIZE		CAGE CODE
1 PLC ± 0.3		DRAWING NO		00779
2 PLC ± 0.2		A3		C-2041376
3 PLC ± 0.15		WEIGHT		0
4 PLC ± -		CUSTOMER DRAWING		SCALE 1:1
ANGLES ± 3		SHEET		1 OF 6
FINISH -		REV		B2

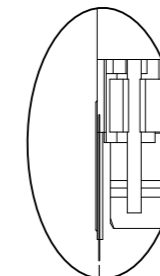
P	LTR	DESCRIPTION	DATE	DWN	APVD
-	-	SEE SHEET 1	-	-	-



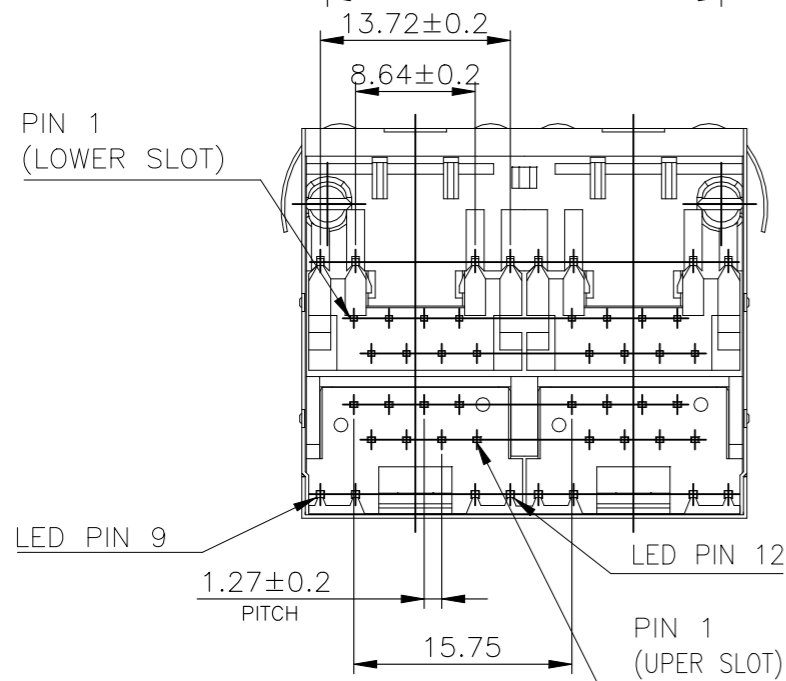
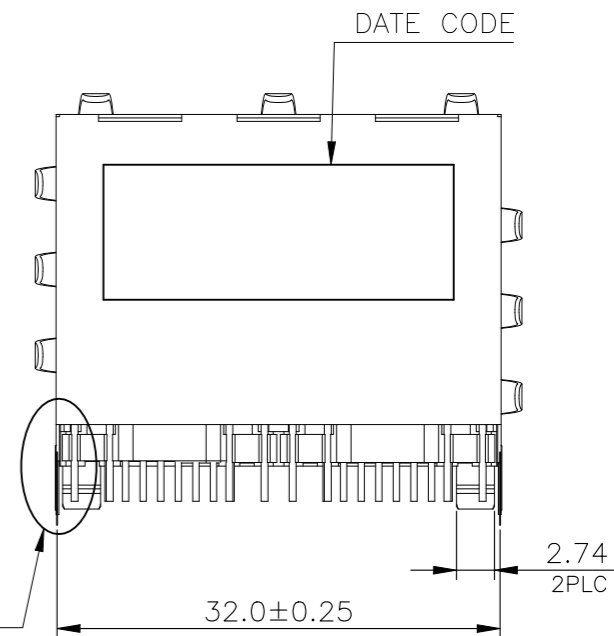
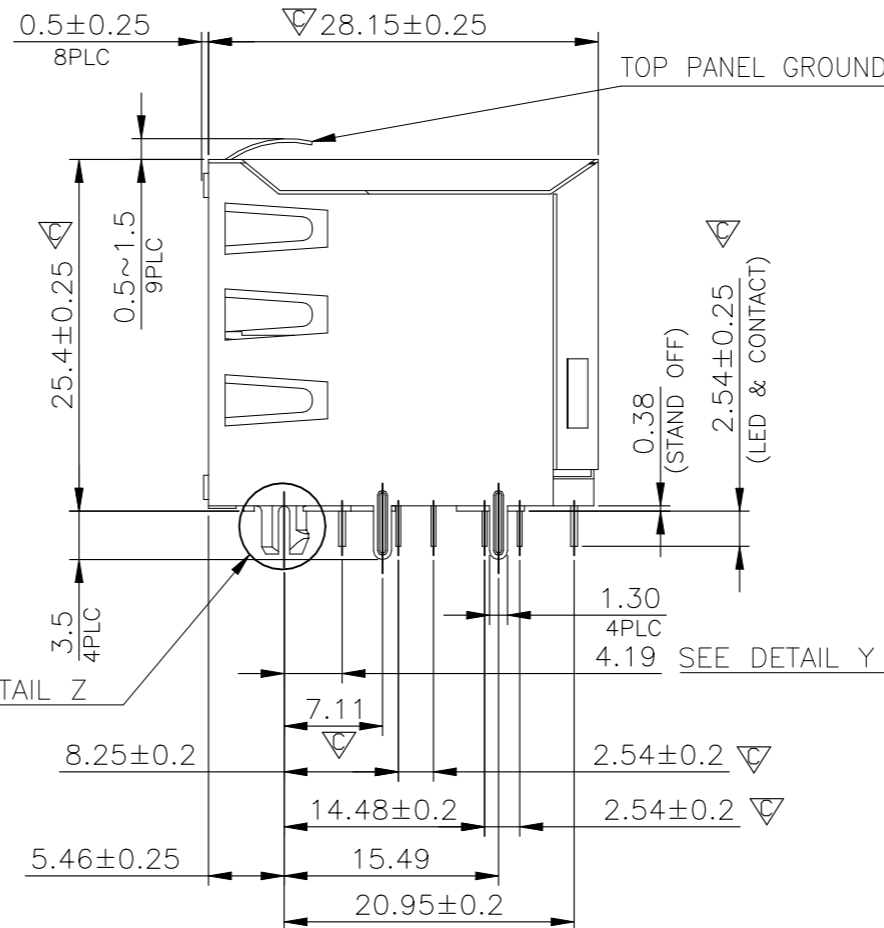
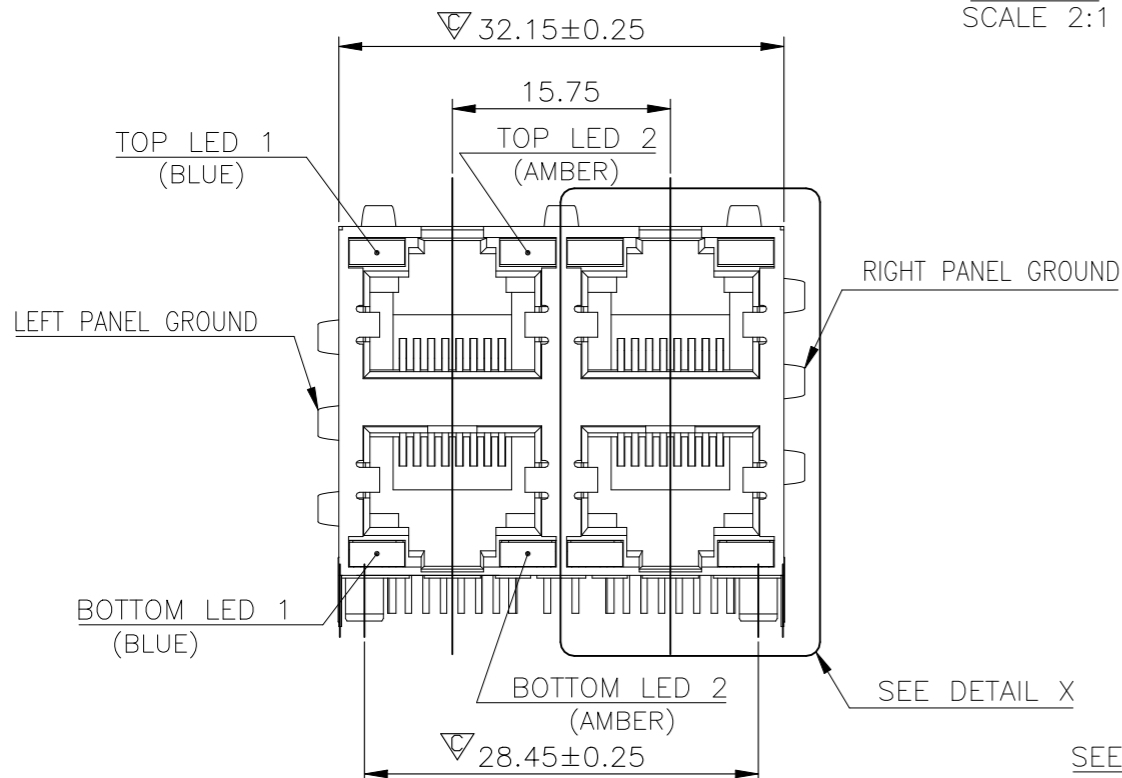
DETAIL Z  
SCALE 2:1



LOGO



DETAIL Y  
SCALE 2:1



0.75um [30u"]	2041376-3
GOLD PLATING	PART NUMBER

THIS DRAWING IS A CONTROLLED DOCUMENT.		DWN E. LIU 06JULY2011	TE Connectivity MODULAR JACK CONNECTOR RJ45 W/ LED, 2X2, SIDE ENTRY, SHIELDED DIP TYPE, H=25.4				
DIMENSIONS: mm		CHK S. CHEIN 06JULY2011				NAME	
TOLERANCES UNLESS OTHERWISE SPECIFIED:		APVD W. KODAMA 06JULY2011				PRODUCT SPEC	
0 PLC ± - 1 PLC ± 0.25 2 PLC ± 0.13 3 PLC ± 0.05 4 PLC ± - ANGLES ± 3°		APPLICATION SPEC					
MATERIAL SEE NOTE		FINISH -	108-57879		RESTRICTED TO		
		WEIGHT -	SIZE A3	CAGE CODE 00779	DRAWING NO C-2041376		
CUSTOMER DRAWING			SCALE 1:1	SHEET 2 of 6	REV B2		

P	LTR	DESCRIPTION	DATE	DWN	APVD
-	-	SEE SHEET 1	-	-	-

NOTE:

CAVITY CONFIRMS TO FCC RULES AND REGULATIONS PART 68, SUBPART F.

1. MATERIAL:

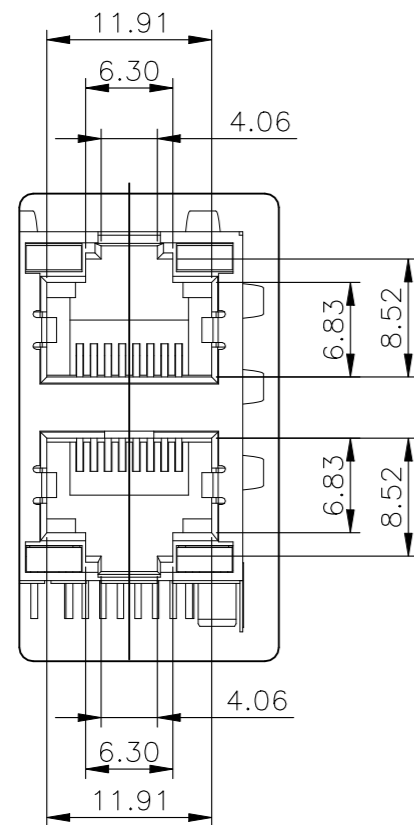
- 1.1 BOTTOM HOUSING: PA4T, (Halogen-free) WITH GLASS FIBER, UL94V-0, STANDARD COLOR-BLACK.
- 1.2 BOTTOM INSERT HOUSING: PA4T,(Halogen-free) WITH GLASS FIBER, UL94V-0, STANDARD COLOR-BLACK.
- 1.3 TOP HOUSING: PA4T,(Halogen-free) WITH GLASS FIBER, UL94V-0, STANDARD COLOR-BLACK.
- 1.4 TOP INSERT HOUSING: PA4T,(Halogen-free) WITH GLASS FIBER, UL94V-0, STANDARD COLOR-BLACK.
- 1.5 CONTACTS: PHOSPHOR BRONZE.
- 1.6 LED: STEEL.
- 1.7 SHELL: BRASS.

2. FINISH:

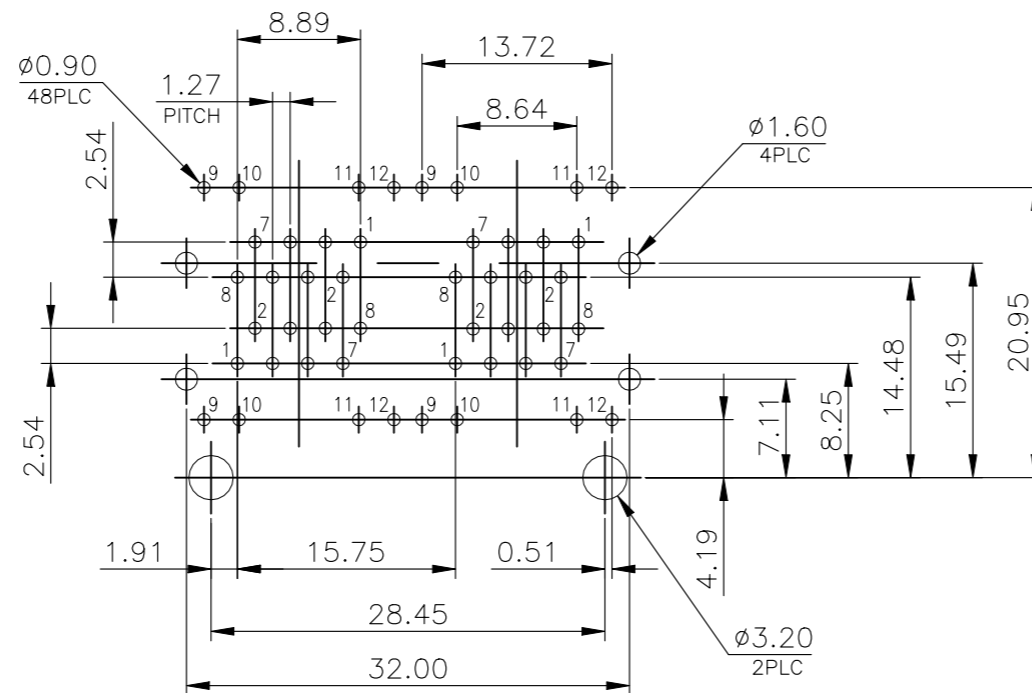
- 2.1 CONTACTS: 0.762μm [30μ"] GOLD PLATED ON CONTACT AREA, GOLD FLASH PLATED ON SOLDER TAIL, WITH ENTIRE CONTACT UNDERPLATED 1.27μm [50μ"] MIN. NICKEL
- 2.2 LED SOLDER TAIL: 2.032μm [80μ"] MIN. TIN PLATED.
- 2.3 SHELL: 0.508μm [20μ"] MIN. NICKEL PLATED.

3. "▽" SHOWS QIP INSPECTION POINT.

LED CHARACTERISTIC	
NO.	NODE
LED1	9+ -> -10
LED2	11+ -> -12



DETAIL X



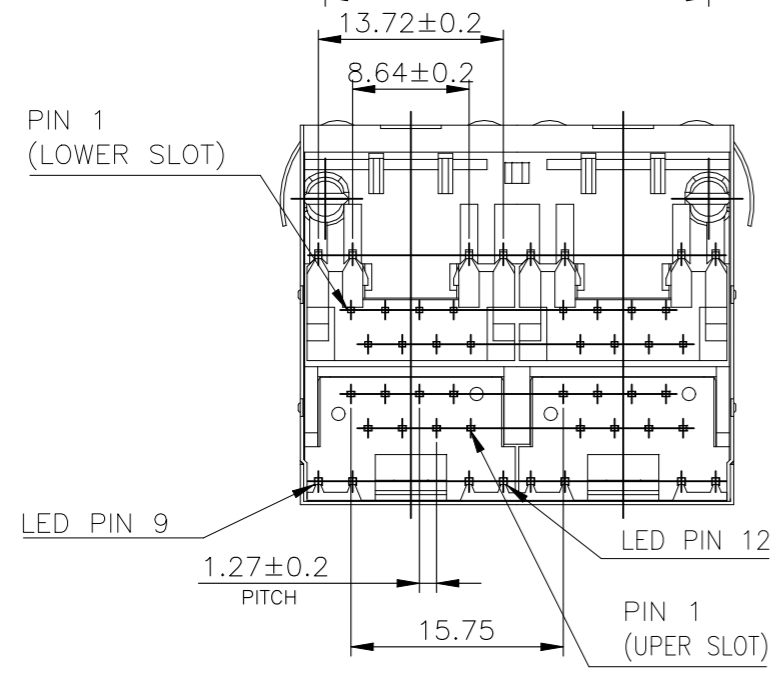
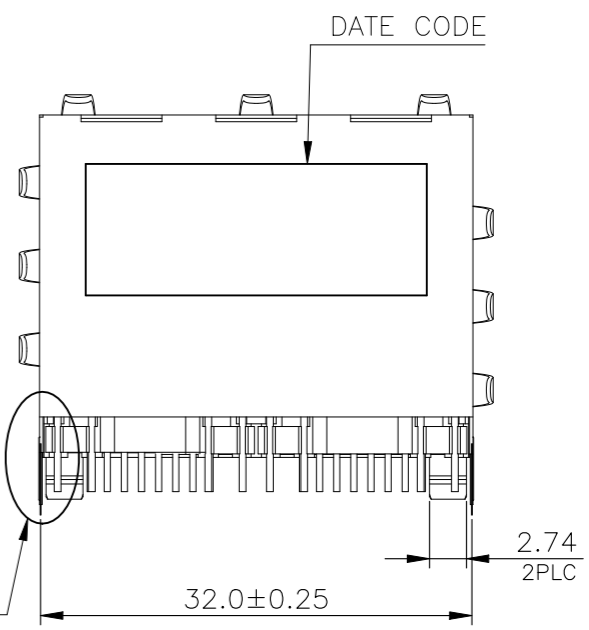
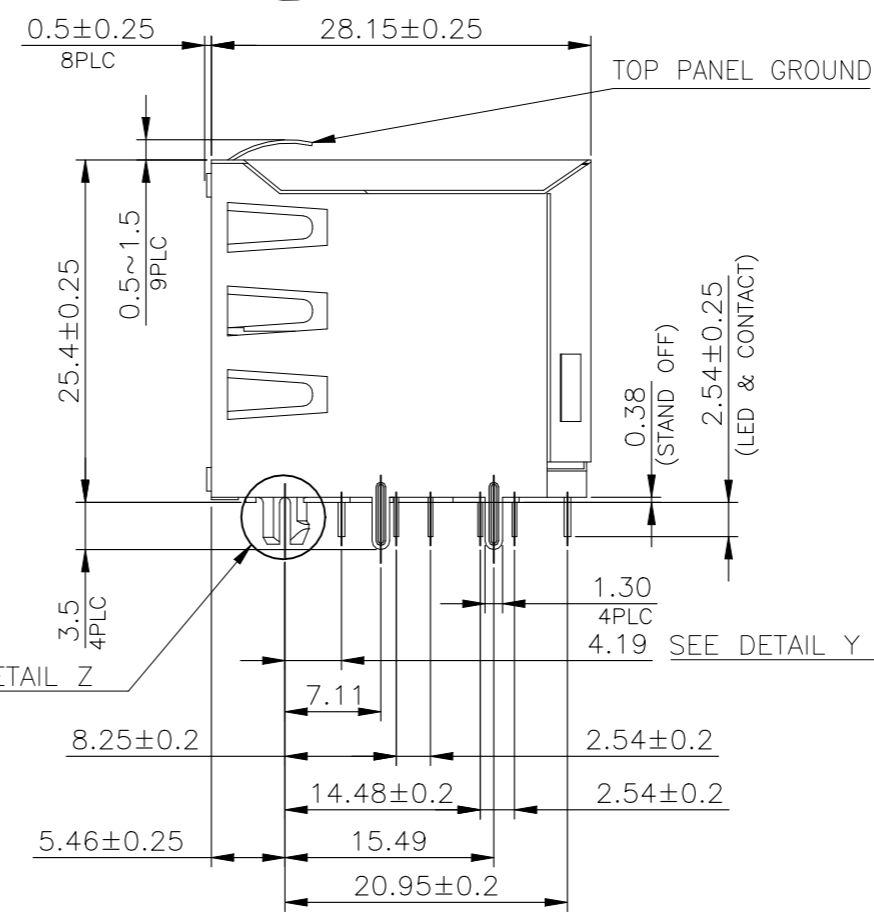
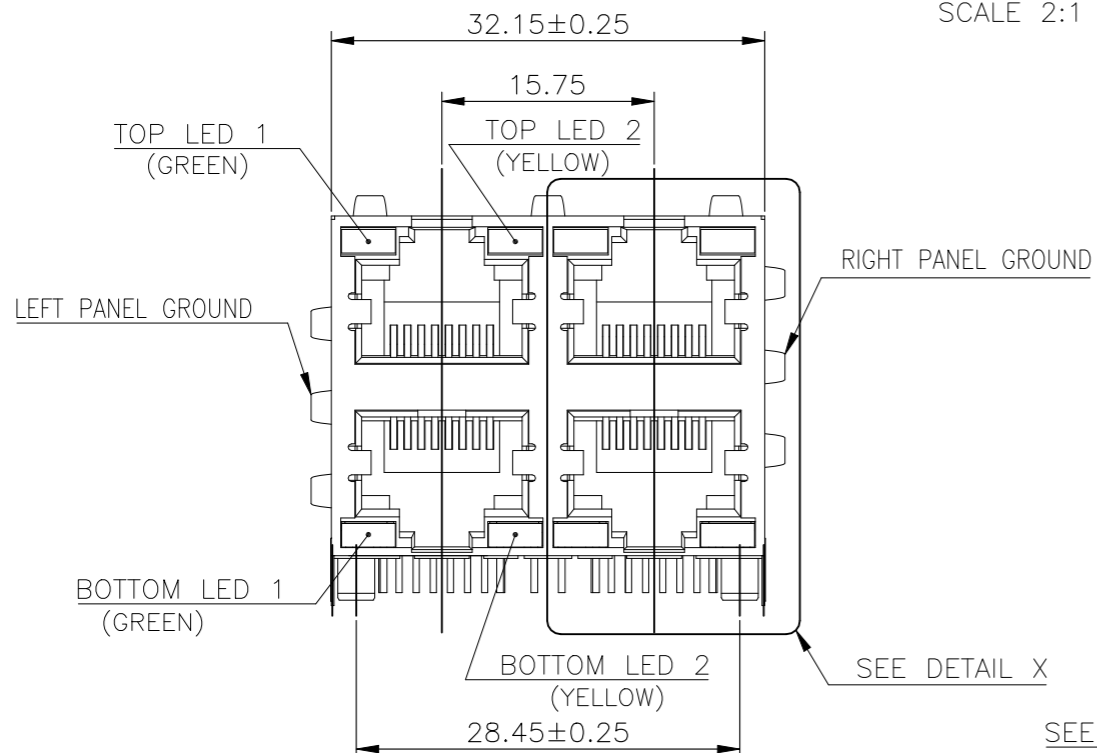
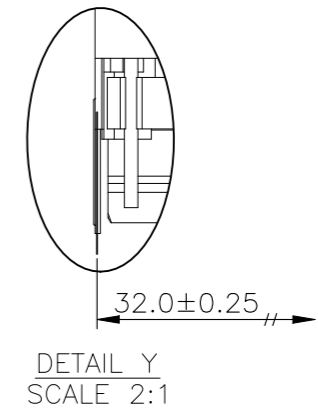
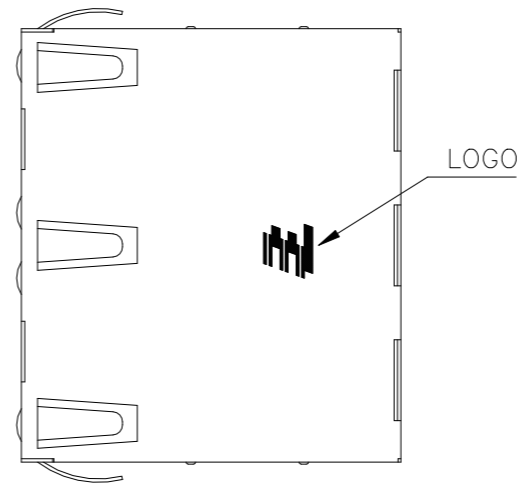
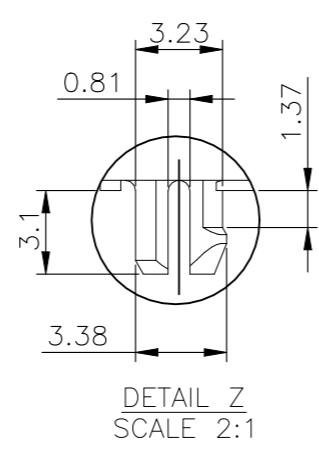
RECOMMENDED PCB LAYOUT

RECOMMENDED PCB THICKNESS: 1.6mm  
TOLERANCE: ±0.05 (TOP VIEW)

2041376-3 PART NUMBER

THIS DRAWING IS A CONTROLLED DOCUMENT.		DWN E. LIU 06JULY2011	TE Connectivity														
DIMENSIONS: mm		CHK S. CHIEN 06JULY2011															
TOLERANCES UNLESS OTHERWISE SPECIFIED:		APVD W. KODAMA 06JULY2011	NAME														
<table border="0"> <tr> <td>0 PLC</td> <td>± -</td> </tr> <tr> <td>1 PLC</td> <td>± 0.25</td> </tr> <tr> <td>2 PLC</td> <td>± 0.15</td> </tr> <tr> <td>3 PLC</td> <td>± 0.05</td> </tr> <tr> <td>4 PLC</td> <td>± -</td> </tr> <tr> <td>ANGLES</td> <td>± -</td> </tr> </table>		0 PLC	± -	1 PLC	± 0.25	2 PLC	± 0.15	3 PLC	± 0.05	4 PLC	± -	ANGLES	± -	PRODUCT SPEC 108-57879	MODULAR JACK CONNECTOR RJ45, LED 2X2, SIDE ENTRY, SHIELDED DIP TYPE, H=25.4mm		
0 PLC	± -																
1 PLC	± 0.25																
2 PLC	± 0.15																
3 PLC	± 0.05																
4 PLC	± -																
ANGLES	± -																
MATERIAL SEE NOTE		FINISH -	APPLICATION SPEC -	SIZE A3	CAGE CODE 00779												
		WEIGHT 0	DRAWING NO C-2041376	RESTRICTED TO -													
CUSTOMER DRAWING			SCALE 1:1	SHEET 3 OF 6	REV B2												

REVISIONS					
P	LTR	DESCRIPTION	DATE	DWN	APVD
-	-	SEE SHEET 1	-	-	-



0.75um [30u"]	2041376-5
GOLD PLATING	PART NUMBER

THIS DRAWING IS A CONTROLLED DOCUMENT.		DWN E. LIU 06JULY2011	TE Connectivity <b>MODULAR JACK CONNECTOR</b> RJ45, LED 2X2, SIDE ENTRY, SHIELDED DIP TYPE, H=25.4mm				
DIMENSIONS: mm		CHK S. CHIEN 06JULY2011				NAME	
TOLERANCES UNLESS OTHERWISE SPECIFIED:		APVD W. KODAMA 06JULY2011				PRODUCT SPEC	
0 PLC ± - 1 PLC ± 0.25 2 PLC ± 0.13 3 PLC ± 0.05 4 PLC ± - ANGLES ± 3		APPLICATION SPEC					
MATERIAL SEE NOTE		FINISH -	108-57879	SIZE	RESTRICTED TO		
		WEIGHT 0	A3	CAGE CODE 00779	DRAWING NO C-2041376		
CUSTOMER DRAWING			SCALE 1:1	SHEET 4 OF 6	REV B2		

P	LTR	DESCRIPTION	DATE	DWN	APVD
-	-	SEE SHEET 1	-	-	-

NOTE:

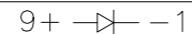
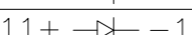
CAVITY CONFIRMS TO FCC RULES AND REGULATIONS PART 68, SUBPART F.

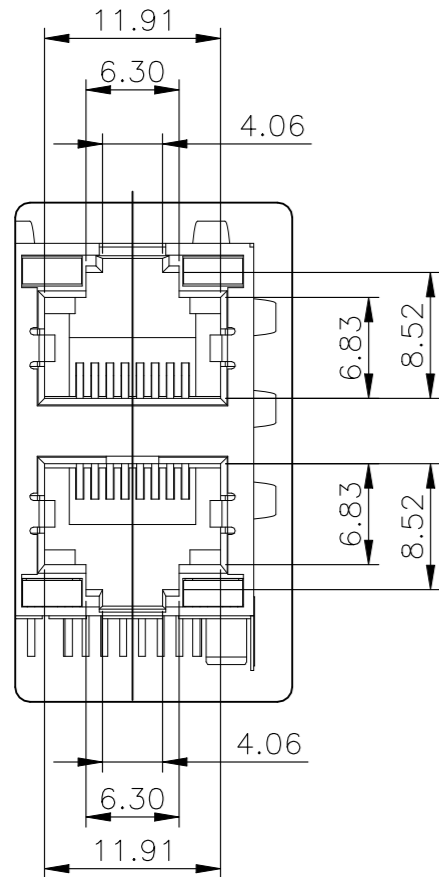
1. MATERIAL:

- 1.1 BOTTOM HOUSING: PA4T(HALOGEN FREE) WITH GLASS FIBER, UL94V-0, STANDARD COLOR-BLACK.
- 1.2 BOTTOM INSERT HOUSING: PA4T (HF) WITH GLASS FIBER, UL94V-0, STANDARD COLOR-BLACK.
- 1.3 TOP HOUSING: PA4T (HF) WITH GLASS FIBER, UL94V-0, STANDARD COLOR-BLACK.
- 1.4 TOP INSERT HOUSING: PA4T (HF) WITH GLASS FIBER, UL94V-0, STANDARD COLOR-BLACK.
- 1.5 CONTACTS: PHOSPHOR BRONZE.
- 1.6 LED: STEEL.
- 1.7 SHELL: BRASS.

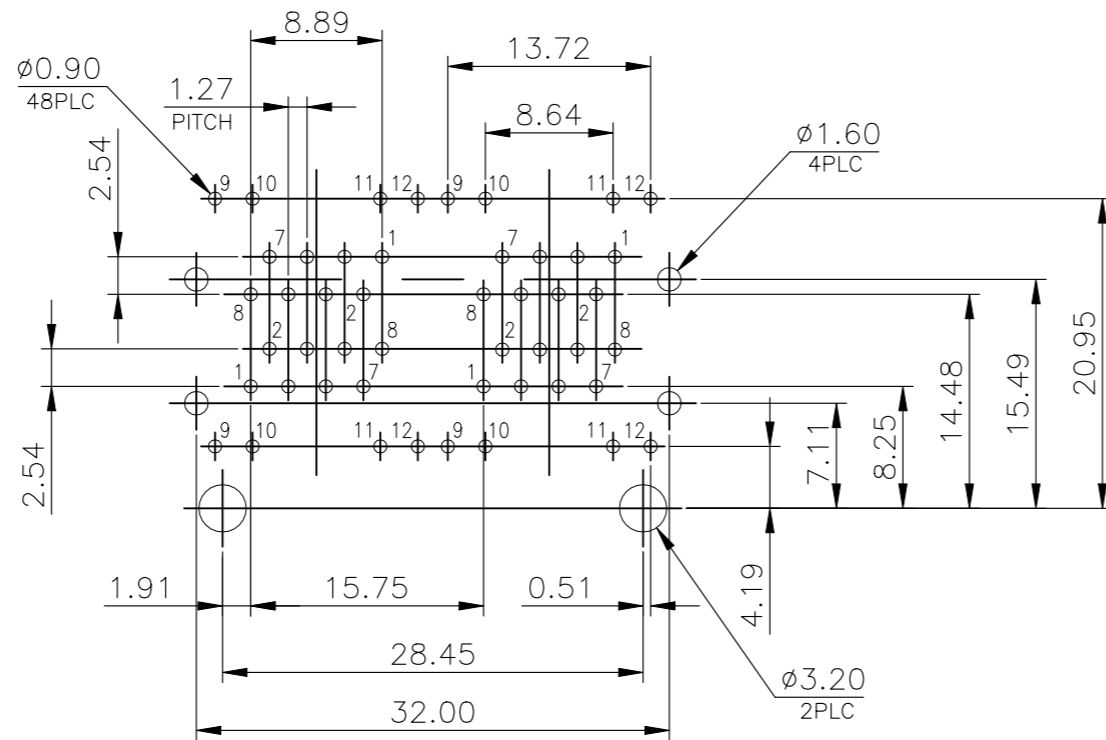
2. FINISH:

- 2.1 CONTACTS: 0.762μm [30μ"] GOLD PLATED ON CONTACT AREA, GOLD FLASH PLATED ON SOLDER TAIL, WITH ENTIRE CONTACT UNDERPLATED 1.27μm [50μ"] MIN. NICKEL
- 2.2 LED SOLDER TAIL: 2.032μm [80μ"] MIN. TIN PLATED.
- 2.3 SHELL: 0.508μm [20μ"] MIN. NICKEL PLATED.

LED CHARACTERISTIC	
NO.	NODE
LED1	9+  -10
LED2	11+  -12




DETAIL X



RECOMMENDED PCB LAYOUT

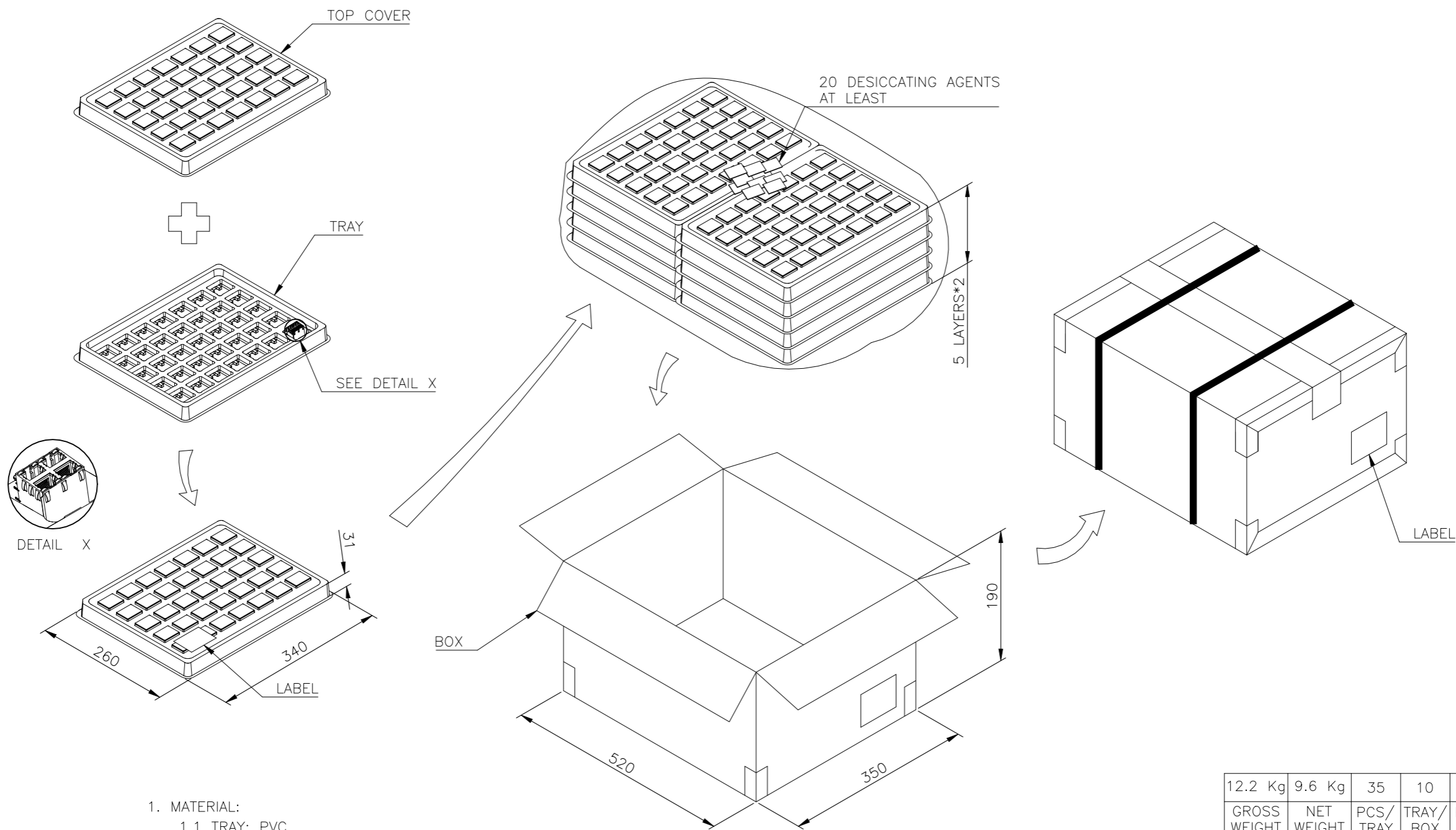
RECOMMENDED PCB THICKNESS: 1.6mm  
TOLERANCE: ±0.05 (TOP VIEW)

2041376-5	PART NUMBER
-----------	-------------


THIS DRAWING IS A CONTROLLED DOCUMENT.		DWN S. LIU 06JULY2011	 TE Connectivity MODULAR JACK CONNECTOR RJ45, LED 2X2, SIDE ENTRY, SHIELDED DIP TYPE, H=25.4mm				
DIMENSIONS: mm		CHK S. CHIEN 06JULY2011				NAME	
TOLERANCES UNLESS OTHERWISE SPECIFIED:		APVD W. KODAMA 06JULY2011				PRODUCT SPEC	
0 PLC ± - 1 PLC ± 0.25 2 PLC ± 0.13 3 PLC ± 0.05 4 PLC ± - ANGLES ± 3°		APPLICATION SPEC					
MATERIAL SEE NOTE		FINISH -	108-57879	SIZE	CAGE CODE	DRAWING NO	RESTRICTED TO
			-	A3	00779	C-2041376	-
CUSTOMER DRAWING			WEIGHT 0	SCALE 1:1	SHEET 5 OF 6	REV B2	

REVISIONS

P	LTR	DESCRIPTION	DATE	DWN	APVD
-	-	SEE SHEET 1	-	-	-



1. MATERIAL:
  - 1.1 TRAY: PVC.
  - 1.2 BOX: CORRUGATED FIBER.
  - 1.3 BAG: PE.
2. DIMENSION: SEE DRAWING
3. QUANTITY: SEE TABLE
4. WEIGHT: SEE TABLE
5. EACH BAG SHALL BE INCLUDED:
  - \* DESICCANT

THIS DRAWING IS A CONTROLLED DOCUMENT.		DWN S. LIU 06JULY2011	 TE Connectivity MODULAR JACK CONNECTOR RJ45, LED 2X2, SIDE ENTRY, SHIELDED DIP TYPE													
DIMENSIONS: mm		CHK S. CHIEN 06JULY2011				NAME	RESTRICTED TO									
TOLERANCES UNLESS OTHERWISE SPECIFIED:		APVD W. KODAMA 06JULY2011				PRODUCT SPEC	SIZE									
<table border="0"> <tr><td>0 PLC</td><td>± -</td></tr> <tr><td>1 PLC</td><td>± -</td></tr> <tr><td>2 PLC</td><td>± -</td></tr> <tr><td>3 PLC</td><td>± -</td></tr> <tr><td>4 PLC</td><td>± -</td></tr> <tr><td>ANGLES</td><td>± -</td></tr> </table>		0 PLC				± -	1 PLC	± -	2 PLC	± -	3 PLC	± -	4 PLC	± -	ANGLES	± -
0 PLC	± -															
1 PLC	± -															
2 PLC	± -															
3 PLC	± -															
4 PLC	± -															
ANGLES	± -															
MATERIAL SEE NOTE		FINISH -	108-57879	WEIGHT 0	A3 00779 C-2041376											
CUSTOMER DRAWING			SCALE 1:1	SHEET 6 of 6	REV B2											