

## SPI TO I<sup>2</sup>C BRIDGE AND GPIO PORT EXPANDER

### Single Chip SPI to I<sup>2</sup>C Transfer

- Integrated clock; no external clock required
- On-Chip Voltage Monitor

### Slave Serial Peripheral Interface (SPI)

- Up to 1.0 Mbit/s Transfers
- Configurable to Least Significant Bit or Most Significant Bit first byte transfers

### I<sup>2</sup>C Master Interface

- Operates at configurable rates up to 400 kHz
- 255 RX and TX Data Buffers

### Input and Output Port Pins

- 8 Pins Configurable as Push-Pull or Open-Drain
- 1 Pin Configurable as an edge-triggered interrupt source
- All pins 5 V Tolerant
- INT active low interrupt pin

### Supply Voltage of 2.7 V to 3.6 V

- Typical operating current: 6.4 mA

### Package

- Pb-free 20-pin QFN

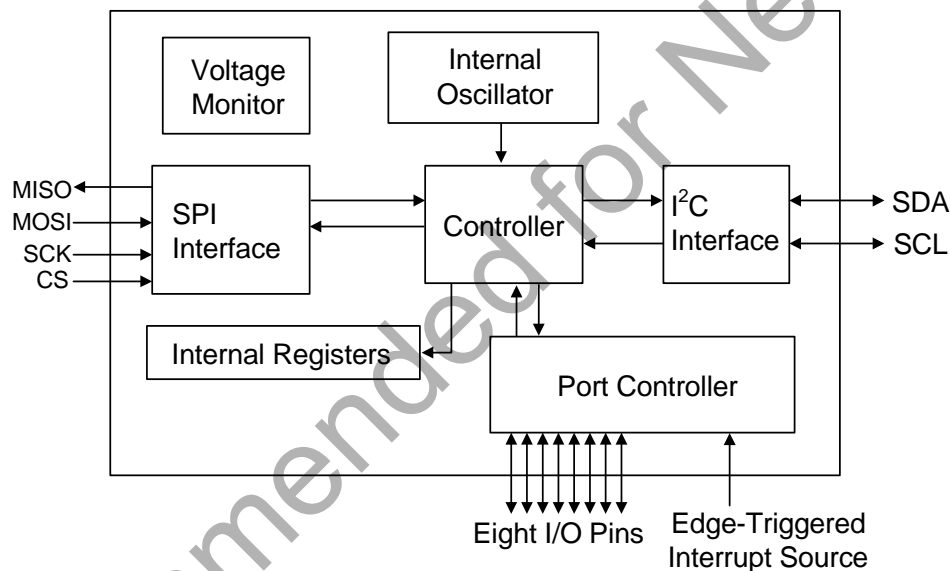


Figure 1. Block Diagram

*Not Recommended for New Designs*

---

**TABLE OF CONTENTS**


---

<b><u>Section</u></b>	<b><u>Page</u></b>
<b>1. System Overview</b> .....	<b>4</b>
<b>2. Global DC Electrical Characteristics</b> .....	<b>4</b>
<b>3. Absolute Maximum Ratings</b> .....	<b>4</b>
<b>4. Pinout And Package Definition</b> .....	<b>5</b>
4.1. Pin Out Chart .....	5
4.2. QFN-20 Pinout Diagram (Top View) .....	6
4.3. QFN-20 Pinout Diagram (Bottom View) .....	7
4.4. QFN-20 Solder Paste Recommendations .....	8
<b>5. SPI Slave Bus</b> .....	<b>9</b>
5.1. Command Set .....	10
5.2. Internal Registers .....	10
5.3. SPI Byte Orientation .....	11
5.4. SPI Timing Diagrams .....	11
5.5. I <sup>2</sup> C Activity During SPI Transactions .....	12
<b>6. I<sup>2</sup>C Serial Interface</b> .....	<b>13</b>
6.1. Determining Pull-Up Register Values .....	13
6.2. I <sup>2</sup> C Internal Registers .....	13
6.3. I <sup>2</sup> C Status .....	15
6.4. I <sup>2</sup> C Receive Buffer Size .....	17
6.5. I <sup>2</sup> C Commands .....	17
<b>7. Port I/O</b> .....	<b>19</b>
<b>8. CP2120 Revision Number</b> .....	<b>22</b>
<b>Document Change List</b> .....	<b>23</b>
<b>Contact Information</b> .....	<b>24</b>

# CP2120

## 1. System Overview

The CP2120 is a highly-integrated SPI-to-I<sup>2</sup>C Bridge Controller with an SPI interface that provides a simple and reliable method for communicating with I<sup>2</sup>C devices. The CP2120 includes a 4-wire serial peripheral interface (SPI), a serial I<sup>2</sup>C interface, 256 byte data buffers, an internal oscillator, eight input/output port pins, and one pin configurable as an edge-triggered interrupt source in a compact 4x4 package. No external components other than pull-up resistors on the I<sup>2</sup>C pins are required. The SPI Master controls the CP2120 across the SPI interface using a command set that governs all CP2120 configuration and operation.

## 2. Global DC Electrical Characteristics

**Table 1. Global Electrical Characteristics**

–40 to +85 °C, 25 MHz system clock unless otherwise specified.

Parameter	Test Condition	Min	Typ	Max	Unit
Digital Supply Voltage		V <sub>RST</sub>	3.0	3.6	V
Digital Supply Current	V <sub>DD</sub> = 3.0 V	—	3.8	4.1	mA
Specified Operating Temperature Range		–40	—	+85	°C
V <sub>DD</sub> POR Threshold (V <sub>RST</sub> )		2.40	2.55	2.70	V

## 3. Absolute Maximum Ratings

**Table 2. Absolute Maximum Ratings**

Parameter	Test Condition	Min	Typ	Max	Unit
Ambient temperature under bias		–55	—	125	°C
Storage Temperature		–65	—	150	°C
Voltage on any Port I/O Pin or $\overline{\text{RST}}$ with respect to GND		–0.3	—	5.8	V
Voltage on V <sub>DD</sub> with respect to GND		–0.3	—	4.2	V
Maximum Total current through V <sub>DD</sub> or GND		—	—	500	mA
Maximum output current sunk by $\overline{\text{RST}}$ or any Port pin		—	—	100	mA

**Note:** Stresses above the absolute maximum ratings may cause permanent device damage. This is a stress rating only, and functional operation of the devices at any conditions equal to or greater than those indicated in the operational listings of this specification are not implied. Exposure to maximum rating conditions for extended periods may affect device reliability.

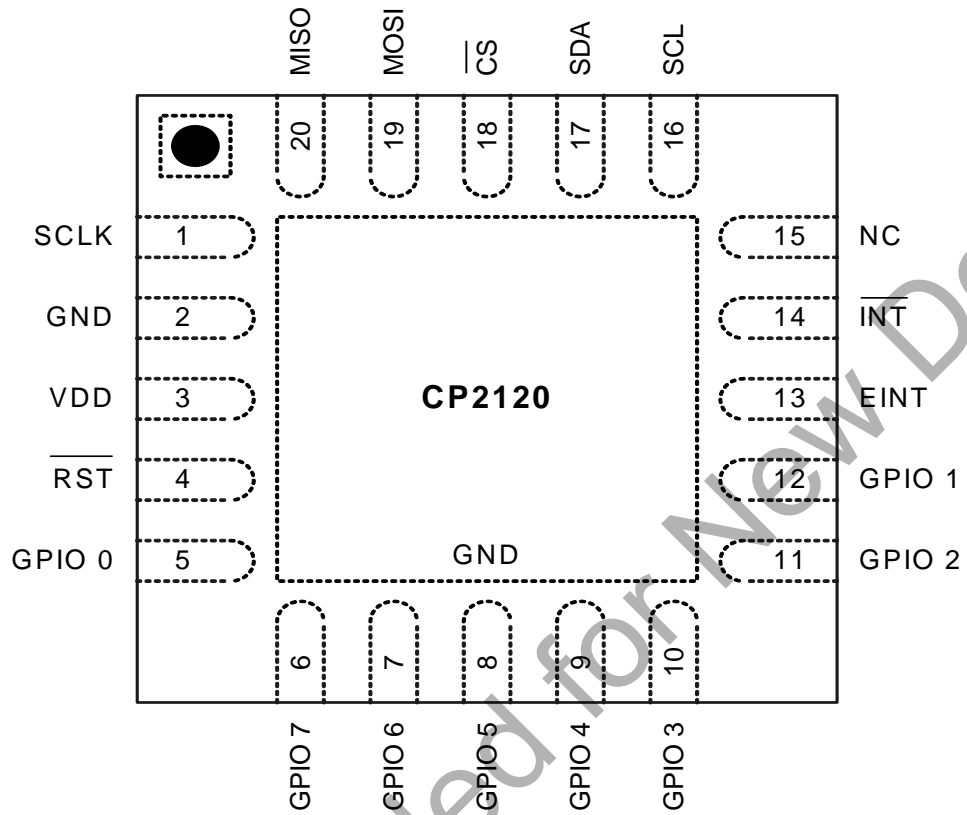
## 4. Pinout And Package Definition

### 4.1. Pin Out Chart

Name	Pin #	Type	Description
V <sub>DD</sub>	3		Power Supply Pin
GND	2		Ground
$\overline{\text{RST}}$	4	Digital I/O	Device Reset. Open-drain output of internal POR or V <sub>DD</sub> monitor. An external source can initiate a system reset by driving this pin low for at least 15 $\mu\text{s}$ .
SCLK	1	Digital In	SPI Clock Input
MISO	20	Digital Out	SPI Slave Output
MOSI	19	Digital In	SPI Slave Input
$\overline{\text{CS}}$	18	Digital In	SPI Slave Select
SDA	17	Digital I/O	I <sup>2</sup> C Data Input/Output
SCL	16	Digital I/O	I <sup>2</sup> C Clock Input/Output
GPIO 0	5	Digital I/O	General Purpose Configurable Digital Input/Output
GPIO 1	12	Digital I/O	General Purpose Configurable Digital Input/Output
GPIO 2	11	Digital I/O	General Purpose Configurable Digital Input/Output
GPIO 3	10	Digital I/O	General Purpose Configurable Digital Input/Output
GPIO 4	9	Digital I/O	General Purpose Configurable Digital Input/Output
GPIO 5	8	Digital I/O	General Purpose Configurable Digital Input/Output
GPIO 6	7	Digital I/O	General Purpose Configurable Digital Input/Output
GPIO 7	6	Digital I/O	General Purpose Configurable Digital Input/Output
EINT	13	Digital I/O	Edge-Triggered Interrupt Source
$\overline{\text{INT}}$	14	Digital Out	CP2120 Interrupt Indicator
NC	15	Digital Out	Not connected, leave floating

# CP2120

## 4.2. QFN-20 Pinout Diagram (Top View)



4.3. QFN-20 Pinout Diagram (Bottom View)

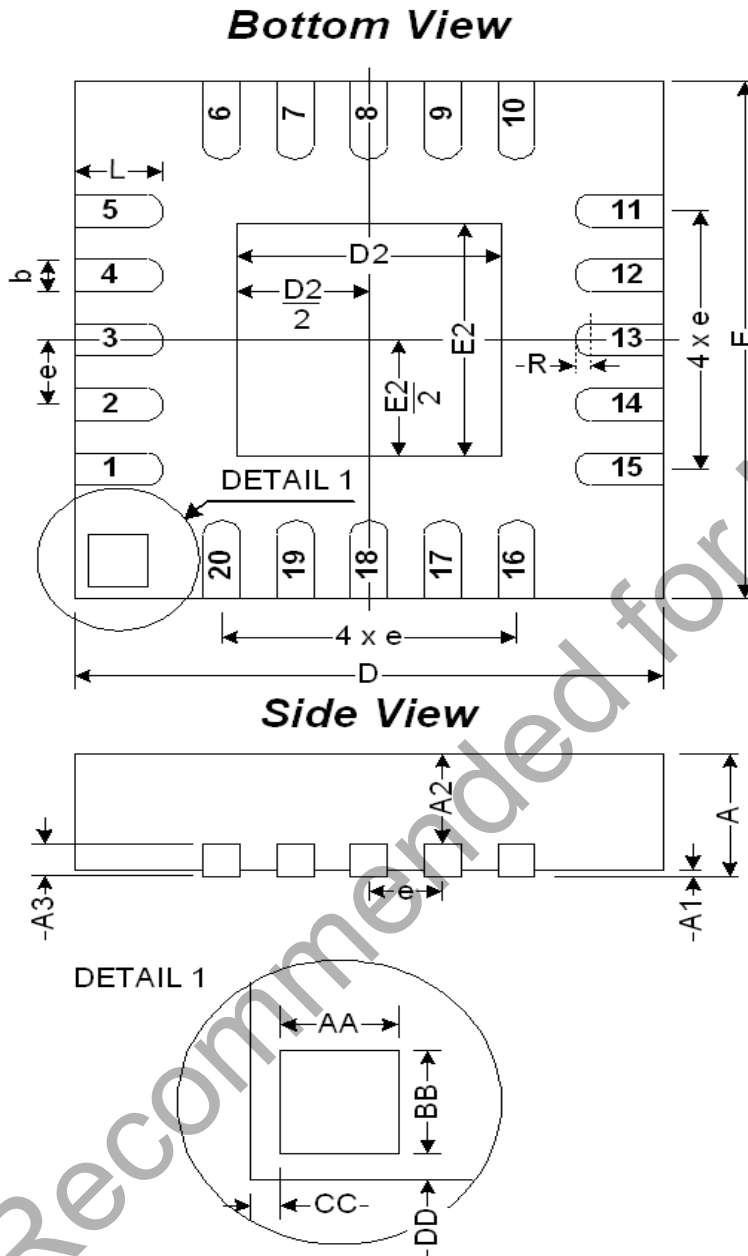


Table 4.1. QFN-20 Package Dimensions

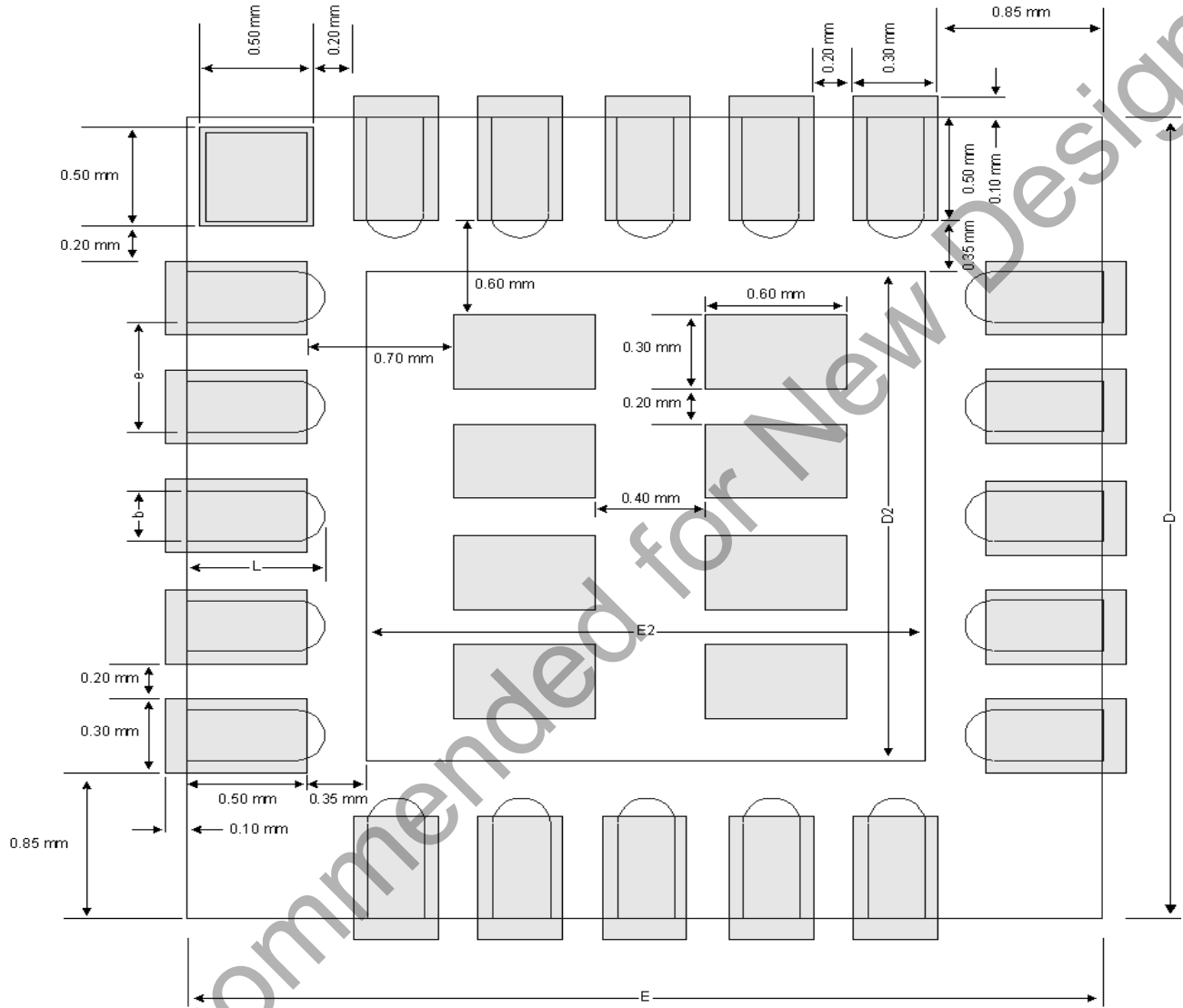
	MM		
	MIN	TYP	MAX
A	0.80	0.90	1.00
A1	0	0.02	0.05
A2	0	0.65	1.00
A3	—	0.25	—
b	0.18	0.23	0.30
D	—	4.00	—
D2	2.00	2.15	2.25
E	—	4.00	—
E2	2.00	2.15	2.25
e	—	0.5	—
L	0.45	0.55	0.65
N	—	20	—
ND	—	5	—
NE	—	5	—
R	0.09	—	—
AA	—	0.435	—
BB	—	0.435	—
CC	—	0.18	—
DD	—	0.18	—

Not Recommended for New Designs

# CP2120

## 4.4. QFN-20 Solder Paste Recommendations

### Top View





## 5. SPI Slave Bus

The CP2120 provides a four-wire slave SPI interface. The CP2120's SPI Bus activates whenever the SPI Master pulls the NSS pin low. The master can then clock data into the CP2120 through the Master-Out-Slave-In (MOSI) pin and receive data from the CP2120 through the Master-In-Slave-Out (MISO) pin. The SPI Master provides the SPI with a clock source. Figure 2 shows typical connections for an SPI bus.

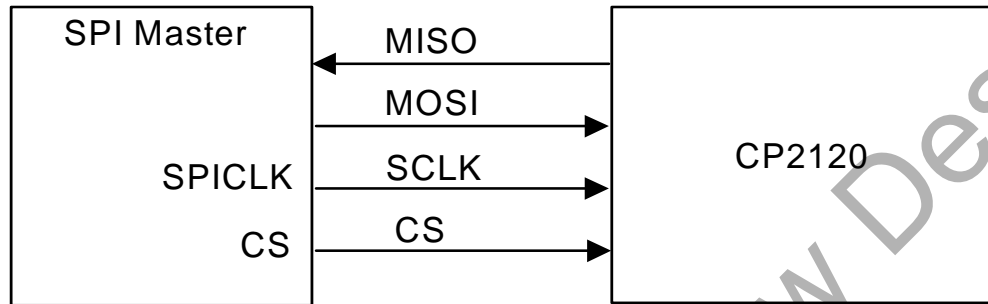


Figure 2. SPI Bus Typical Connections

SCLK should be held high when idle. Figure 3 shows a CP2120 data transfer on the SPI Bus. If the CP2120 is the only slave device on the SPI bus, the NSS pin can be tied low.

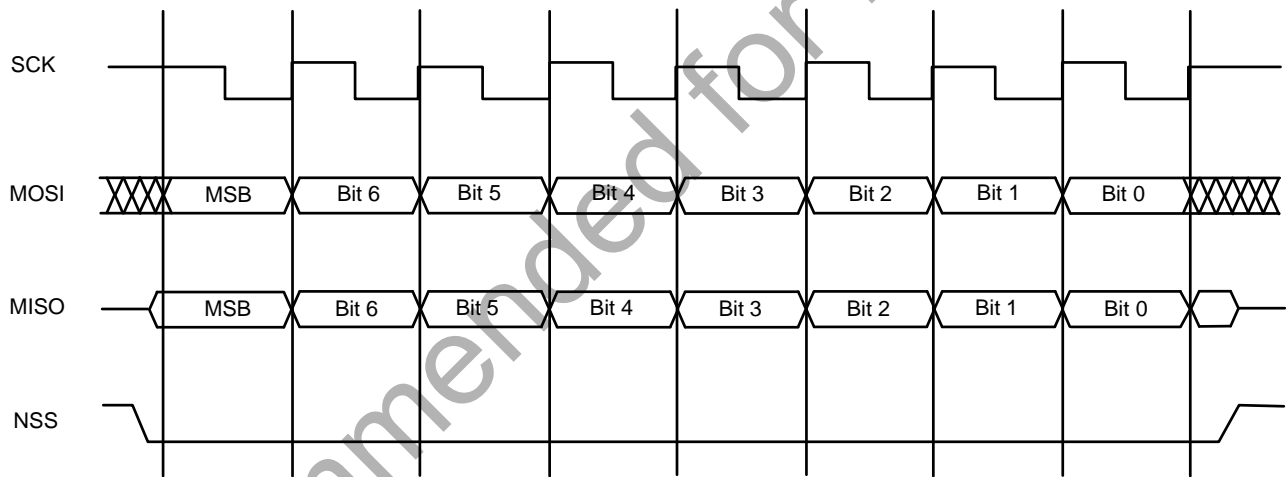


Figure 3. Slave Mode Data/Clock Timing

**Note:** Some SPI clock speeds in the 100 kHz to 300 kHz range may result in communication issues. Moving the clock rate faster or slower will resolve this problem.

## 5.1. Command Set

An SPI Master controls the CP2120 by sending commands across the SPI bus. Some commands initiate I<sup>2</sup>C transactions, while other commands modify or monitor CP2120 operation and events.

## 5.2. Internal Registers

The CP2120 maintains a set of internal registers that can be modified to configure general purpose port I/O and I<sup>2</sup>C operation and can be read to obtain device status. Commands reading to and writing from the internal registers can be issued at any time, even while an I<sup>2</sup>C transaction is in progress, as they do not initiate any I<sup>2</sup>C bus transactions. Table 3 shows a list of all internal registers.

**Table 3. Internal Register Addresses**

Internal Register	Address	Section
IOCONFIG	0x00	7
IOSTATE	0x01	7
I2CCLOCK	0x02	6.1
I2CTO	0x03	6.1
I2CSTAT	0x04	6.2
I2CADR	0x05	6.1
RXBUFF	0x06	6.3
IOCONFIG2	0x07	7
EDGEINT	0x08	7
I2CTO2	0x09	6.1

### 5.2.1. Write to Internal Register

SPI Master	0x20 COMMAND	REGISTER X	DATA BYTE
------------	-----------------	---------------	-----------

A *Write to Internal Register* command updates the value of one of the CP2120's Internal Registers. A *Write to Internal Register* command begins with the command byte, 0x20, followed by the internal register address, followed by the new value of the internal register. Only one register can be accessed per *Write to Internal Register* command.

5.2.2. Read From Internal Register



A *Read from Internal Register* command retrieves the current value of one of the CP2120's internal registers. The command begins with the command byte, 0x21, followed by the internal register address. This byte is followed by the transmission of a "don't care" byte, which can be of any value and is ignored by the CP2120. After the "don't care" byte, the internal register value is transmitted across the MISO line.

5.3. SPI Byte Orientation

The *SPI Configuration* command configures the bit orientation of transfers across the SPI bus to one of two states. If SPI transmits most-significant-bit first, bit 7 is transmitted first. If SPI transmits least-significant-bit first, bit 0 is transmitted first.

5.3.1. SPI Configuration



The command begins with the command byte (0x18), followed by *SPI Configuration* byte, which should equal one of the values shown in the following table. Any values other than those listed in the table are ignored.

Byte Value	Configuration
0x81	Most Significant Bit First
0x42	Least Significant Bit First

5.4. SPI Timing Diagrams

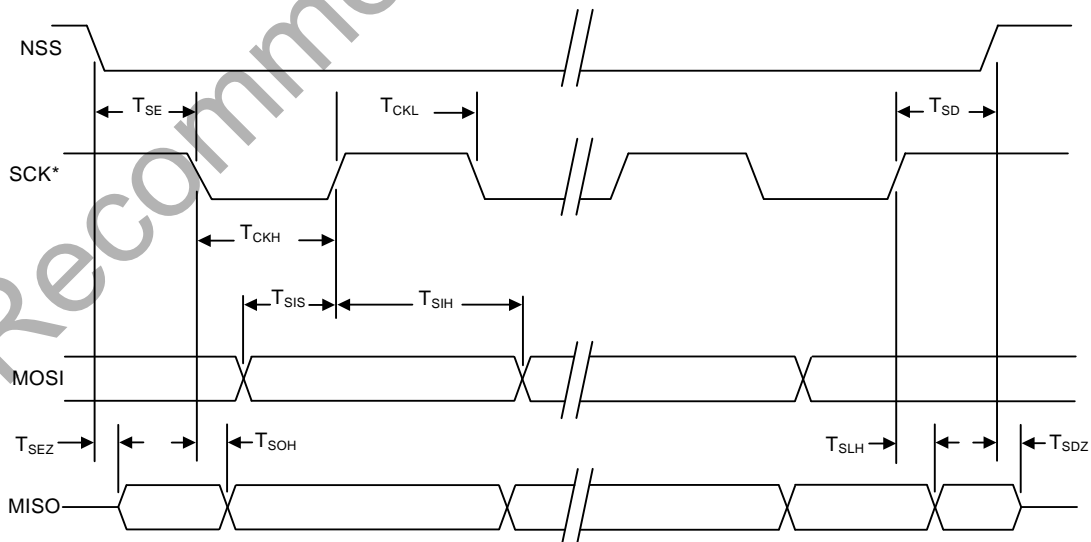


Figure 4. SPI Slave Timing

**Table 4. SPI Slave Timing Parameters**

Slave Mode Timing* (See Figure 4)				
<b>T<sub>SE</sub></b>	NSS Falling to First SCLK Edge	2 x T <sub>SYSCLK</sub>	—	ns
<b>T<sub>SD</sub></b>	Last SCLK Edge to NSS Rising	2 x T <sub>SYSCLK</sub>	—	ns
<b>T<sub>SEZ</sub></b>	NSS Falling to MISO Valid	—	4 x T <sub>SYSCLK</sub>	ns
<b>T<sub>SDZ</sub></b>	NSS Rising to MISO High-Z	—	4 x T <sub>SYSCLK</sub>	ns
<b>T<sub>CKH</sub></b>	SCLK High Time	5 x T <sub>SYSCLK</sub>	—	ns
<b>T<sub>CKL</sub></b>	SCLK Low Time	5 x T <sub>SYSCLK</sub>	—	ns
<b>T<sub>SIS</sub></b>	MOSI Valid to SCLK Sample Edge	2 x T <sub>SYSCLK</sub>	—	ns
<b>T<sub>SIH</sub></b>	SCLK Sample Edge to MOSI Change	2 x T <sub>SYSCLK</sub>	—	ns
<b>T<sub>SOH</sub></b>	SCLK Shift Edge to MISO Change	—	4 x T <sub>SYSCLK</sub>	ns
<b>T<sub>SLH</sub></b>	Last SCLK Edge to MISO Change (CKPHA = 1 ONLY)	6 x T <sub>SYSCLK</sub>	8 x T <sub>SYSCLK</sub>	ns
*Note: T <sub>SYSCLK</sub> equals 24.5 MHz.				

## 5.5. I<sup>2</sup>C Activity During SPI Transactions

If the SPI Master attempts to transmit a command to the CP2120 while the I<sup>2</sup>C bus is inactive, the CP2120 will disable its slave response. If an I<sup>2</sup>C Master device on the bus attempts to address the CP2120 during this time, the CP2120 will not ACK the address defined in the I2CADR Internal Register.

If the SPI Master attempts to transmit a command to the CP2120 while the CP2120 is acting as the Master on the I<sup>2</sup>C bus, the CP2120 will suspend I<sup>2</sup>C bus activity until the SPI Master has completed transmission of the command. For instance, if the SPI Master calls the Read Internal Register command while the CP2120 is in the middle of an I<sup>2</sup>C transaction, that I<sup>2</sup>C transaction will stall until the CP2120 completely processes the *Read Internal Register* command.

## 6. I<sup>2</sup>C Serial Interface

The CP2120 provides an I<sup>2</sup>C interface able to transfer data at frequencies up to 400 kHz. During a transaction, the CP2120, operating as the I<sup>2</sup>C master, sources a data clock on the SCL pin as data travels across the bidirectional SDA pin to and from an I<sup>2</sup>C slave device. The I<sup>2</sup>C interface lines each require a pull-up resistor. Figure 5 shows a typical I<sup>2</sup>C bus.

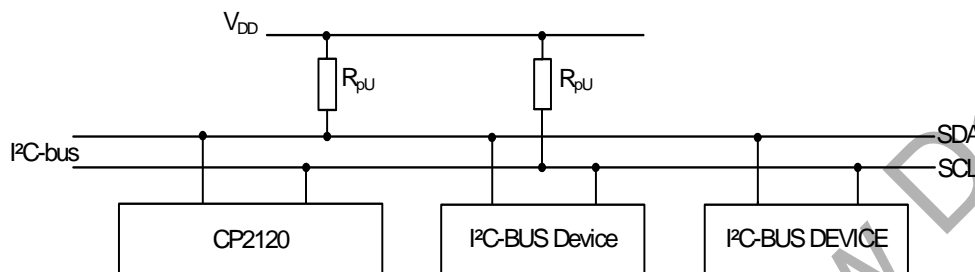


Figure 5. Typical I<sup>2</sup>C Bus\*

**Note:** V<sub>DD</sub> is defined in Table 2, “Absolute Maximum Ratings,” on page 4. For R<sub>pu</sub> values, please see “6.1. Determining Pull-Up Register Values”.

**Note:** The I<sup>2</sup>C interface does not currently support repeated start transactions, as required by some I<sup>2</sup>C slave devices.

### 6.1. Determining Pull-Up Register Values

Logic low to logic high transitions on the SCL and SDA pins, which are configured to open-drain output with external pull-ups to V<sub>DD</sub>, take the form of an exponential curve with an RC time constant, where C equals the capacitance of the bus and R equals the pull-up resistor value. I<sup>2</sup>C specification defines rise time as the time required for a signal level to change from V<sub>min</sub> + 0.15 V to V<sub>max</sub> - 0.15 V. By solving the exponential equation using a V<sub>min</sub> of 0 V and a V<sub>max</sub> of 3.3 V, the following equation can be used to find values for pull-up resistors:

$$\text{Rise time} = 3.04448 \text{ RC}$$

Bus capacitance is governed by a number of factors, including signal trace length and capacitance introduced by devices on the bus. 8 mm PCB signal traces on a two-layer board generally add 1 pF of capacitance per centimeter of trace length. To determine the amount of capacitance introduced to the bus by I<sup>2</sup>C devices, consult those devices’ datasheets. The maximum capacitance allowed before the bus violates I<sup>2</sup>C specification is 400 pF.

Rise time requirements vary depending on each connected I<sup>2</sup>C device’s timing requirements and the SCL clock frequency. The maximum rise time allowed by the I<sup>2</sup>C specification is 1000 ns.

### 6.2. I<sup>2</sup>C Internal Registers

Features of the I<sup>2</sup>C interface are configured through the CP2120’s Internal Registers. SCL clock frequency is set by writing to the I2CCLK Internal Register. The frequency can be determined using the equation below. The I<sup>2</sup>C frequency configured by the I2CCLOCK register is only an approximate frequency. Actual I<sup>2</sup>C frequencies can vary due to conditions on the bus, such as a slave device extending the SCL low time.

$$\text{I}^2\text{C Clock Frequency (kHz)} = \frac{2000}{\text{I}^2\text{CCLK}}$$

Equation 1. I<sup>2</sup>C Clock Frequency

## Internal Register Definition 1. I2CCLOCK: I<sup>2</sup>C Clock Frequency Configuration

R/W	R/W	R/W	R/W	R/W	R/W	R/W	R/W
I2CCK7	I2CCK6	I2CCK5	I2CCK4	I2CCK3	I2CCK2	I2CCK1	I2CCK0
Bit 7	Bit 6	Bit 5	Bit 4	Bit 3	Bit 2	Bit 1	Bit 0

Internal Register Address: 0x02  
 Reset Value: 0xA0  
 Bit 7-0: I2CCK7-0: I<sup>2</sup>C Clock Frequency Configuration value (minimum register value = 5, maximum register value = 255)

The transaction time-out counter, which terminates an I<sup>2</sup>C transaction after a set period of time has passed, can be configured through the I2CTO Internal Register. If the time-out counter is not enabled, the CP2120 will make only one attempt at executing an I<sup>2</sup>C transaction and abort if that transaction attempt fails.

$$\text{Time-out Frequency} = \frac{TO}{128} (\text{Hz})$$

**Equation 2. CTO Time-Out Frequency**

## Internal Register Definition 2. I2CTO: I<sup>2</sup>C Time Out

R/W	R/W	R/W	R/W	R/W	R/W	R/W	R/W
TO6	TO5	TO4	TO3	TO2	TO1	TO0	TEN
Bit 7	Bit 6	Bit 5	Bit 4	Bit 3	Bit 2	Bit 1	Bit 0

Internal Register Address: 0x03  
 Reset Value: 0x00  
 Bit 7-1: TO6-0: Time Out Value  
 Bit 0: TEN: Time Out Enable Bit.  
 0: Disable Timer,  
 1: Enable Timer.

The SPI Master can assign an I<sup>2</sup>C address to the CP2120 by writing to the I2CADR Internal Register. Setting this address is not necessary for device operation. If set, the CP2120 will ACK this address when another I<sup>2</sup>C Master on the bus attempts to communicate with it. The CP2120 will NACK all attempts at data transfer when responding as an I<sup>2</sup>C slave.

## Internal Register Definition 3. I2CADR: I<sup>2</sup>C Address

R/W	R/W	R/W	R/W	R/W	R/W	R/W	R/W
I2CAD7	I2CAD6	I2CAD5	I2CAD4	I2CAD3	I2CAD2	I2CAD1	I2CAD0
Bit 7	Bit 6	Bit 5	Bit 4	Bit 3	Bit 2	Bit 1	Bit 0

Internal Register Address: 0x05  
 Reset Value: 0x00  
 Bit 7-Bit 0: I2CAD7-0: I<sup>2</sup>C Address  
 Sets I<sup>2</sup>C bus address.

The SPI2I2C provides additional SMBus-related timers to enable I<sup>2</sup>C protocol compatibility. Setting the I<sup>2</sup>C Bus Free Detect enables the device to poll the SMBus lines and determine when a transfer can begin. Setting the SCL Low Time Out detect will cause an SMBus transaction to abort if the SCL line has been held low by a device for a period of approximately 25 ms.

**Internal Register Definition 4. I2CTO2: Additional I<sup>2</sup>C Time Outs**

R/W	R/W	R/W	R/W	R/W	R/W	R/W	R/W
Reserved	Reserved	Reserved	Reserved	Reserved	Reserved	FREN	LWEN
Bit 7	Bit 6	Bit 5	Bit 4	Bit 3	Bit 2	Bit 1	Bit 0

Internal Register Address: 0x09  
 Reset Value: 0x00

Bit 1: I<sup>2</sup>C Bus Free Detect  
 0: Bus Free Detect Disabled  
 1: Bus Free Detect Enabled

Bit 0: I<sup>2</sup>C SCL Low Time Out Detect  
 0: SCL Low Time Out Detect disable  
 1: SCL Low Time Out Detect enable

**6.3. I<sup>2</sup>C Status**

The CP2120 maintains an Internal Register, I2CSTAT, which describes the current status of the I<sup>2</sup>C Interface. The I2CSTAT register can be read at any time. The CP2120 updates I2CSTAT when an I<sup>2</sup>C transaction begins, when an I<sup>2</sup>C transaction completes (successfully or unsuccessfully), and when a received SPI command contains errors. It is not recommended that an SPI master poll the CP2120's I2CSTAT Internal Register to determine when an I<sup>2</sup>C transaction has completed. The SPI master should instead watch for the INT pin to drop low, and then read the I2CSTAT register to determine the I<sup>2</sup>C transaction results.

## Internal Register Definition 5. I2CSTAT: I<sup>2</sup>C Status Register

R	R	R	R	R	R	R	R
I2ST7	I2ST6	I2ST5	I2ST4	I2ST3	I2ST2	I2ST1	I2ST0
Bit 7	Bit 6	Bit 5	Bit 4	Bit 3	Bit 2	Bit 1	Bit 0

Internal Register Address: 0x04  
Reset Value: 0x00

Bit 7–0 I2ST: I<sup>2</sup>C Status

I <sup>2</sup> C Status Value	Status Description
0xF0	I <sup>2</sup> C transaction completed successfully.
0xF1	Slave address NACKed.
0xF2	Slave data NACKed.
0xF3	I <sup>2</sup> C transaction in progress.
0xF8	I <sup>2</sup> C transaction timed out due to timer configured in I2CTO.
0xF9	Command's Bytes to Transmit Byte and Data Buffer Size do not match, or Read Buffer read number of bytes greater than buffer count.
0xFA	I <sup>2</sup> C SCL Low time-out, using timer configured in I2CTO2.
0xFB	I <sup>2</sup> C bus free detect has been disabled, and the bus is not free.



### 6.4. I<sup>2</sup>C Receive Buffer Size

Bytes received from I<sup>2</sup>C transactions are stored in the 255-byte data buffer. The number of bytes currently stored inside this buffer is saved in the RXBUFF Internal Register.

#### Internal Register Definition 6. RXBUFF: Receive Buffer Size Register

R	R	R	R	R	R	R	R
RXB7	RXB6	RXB5	RXB4	RXB3	RXB2	RXB1	RXB0
Bit 7	Bit 6	Bit 5	Bit 4	Bit 3	Bit 2	Bit 1	Bit 0

Internal Register Address: 0x06  
 Reset Value: 0x00  
 Bit 7-0: RXB7-0: Receive Buffer Size  
 Indicates the number of bytes received during the last I<sup>2</sup>C read transaction.

### 6.5. I<sup>2</sup>C Commands

SPI commands initiate all I<sup>2</sup>C transactions. The CP2120 executes I<sup>2</sup>C transactions only after every byte of the command has been successfully received across the SPI bus. Once the CP2120 has completed the I<sup>2</sup>C transaction prompted by the command, the INT pin will be pulled low to indicate that command execution has completed. If an I<sup>2</sup>C command is issued while an I<sup>2</sup>C command is in progress, the second I<sup>2</sup>C command will be ignored.

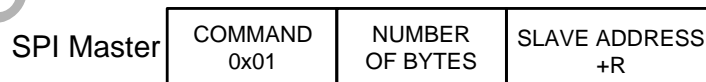
#### 6.5.1. Write Bytes to I<sup>2</sup>C



This command transmits data to an I<sup>2</sup>C slave device. The command begins with the command byte (0x00), followed by the number of bytes to be transmitted across I<sup>2</sup>C, which can range from 1 to 255, and the address of the I<sup>2</sup>C Slave. The SPI master then sends the data to be transmitted across I<sup>2</sup>C. Sending more or fewer bytes than was indicated by the second byte of the command will result in an error condition, and the I<sup>2</sup>C transaction will not be initiated.

Once the I<sup>2</sup>C transaction completes, the CP2120 pulls the INT pin low and sets the internal register according to the results of the transaction.

#### 6.5.2. Read Bytes from I<sup>2</sup>C

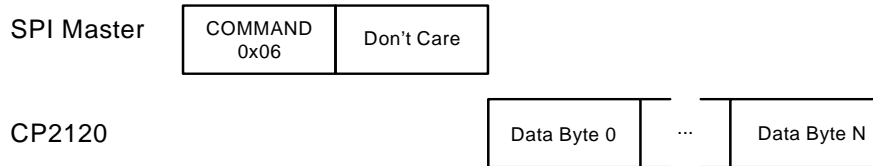


This command attempts to retrieve bytes from an I<sup>2</sup>C Slave device. The command begins with the command byte, 0x01, followed by the number of bytes to read (1 to 255) and the address of the I<sup>2</sup>C slave device.

Once the I<sup>2</sup>C transaction completes, the CP2120 pulls the INT pin low and sets I2CSTAT according to the results of the transaction. The CP2120 saves the number of bytes stored in the buffer in the internal register named RXBUFF. A *Read Buffer* command can be issued to retrieve the bytes from the buffer.

**Note:** If the SPI Master issues a second Read Bytes from I<sup>2</sup>C command before issuing a Read Buffer command, the bytes stored in the CP2120's buffer will be overwritten.

## 6.5.3. Read Buffer



The *Read Buffer* command retrieves bytes from the CP2120's data buffer. The command begins with the command byte, 0x06. After the command byte, the SPI Master must transmit a single byte of data, which is ignored by the CP2120. After receiving the ignored byte of data, the CP2120 transmits data bytes across the MISO pin.

It is recommended that the SPI Master read the RXBUFF Internal Register to determine how many bytes are stored in the CP2120's buffer before issuing a *Read Buffer* command. If the SPI Master attempts to retrieve more bytes than the buffer contains, the CP2120 will signal the error in I2CSTAT. If an SPI Master attempts to retrieve fewer bytes than are stored in the data buffer, all bytes left in the buffer will be deleted when the *Read Buffer* command terminates.

## 6.5.4. Read After Write



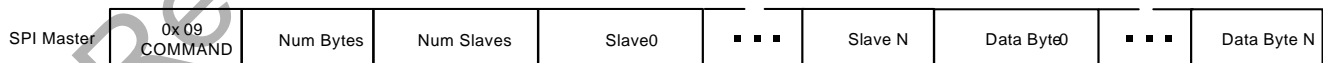
The *Read After Write* command writes bytes to one I<sup>2</sup>C slave and then reads bytes from another I<sup>2</sup>C slave. The SPI Master calls this command by first sending the command byte, 0x02, then the number of bytes to write (1 to 255) and bytes to read (1 to 255). These bytes are followed by the address of the I<sup>2</sup>C slave to which the CP2120 will attempt to write bytes, followed by the data bytes to write. The last byte of the command is the I<sup>2</sup>C slave from which the CP2120 will attempt to read bytes.

## 6.5.5. Write After Write



The *Write After Write* command writes to an I<sup>2</sup>C slave device and then issues another write to a second I<sup>2</sup>C slave device. The command begins with the command byte, 0x08, followed by the number of bytes to write to the first I<sup>2</sup>C device and the bytes to write to the second I<sup>2</sup>C device. The SPI master sends the slave address of the first I<sup>2</sup>C device and the data bytes to write to the first I<sup>2</sup>C slave. The SPI Master then sends the slave address of the second I<sup>2</sup>C slave device followed by the data bytes to transmit to that slave device.

## 6.5.6. Write To Multiple Slaves



The *Write to Multiple Slaves* command allows an SPI Master to write the same data buffer to multiple I<sup>2</sup>C slaves. The command begins with the command byte, 0x09, followed by the size of the data buffer (0 to 255), followed by the number of slaves (0 to 254). Next, the list of slave addresses is transmitted. Following that, the data buffer to write to each slave is transmitted. The combined size of the slave address list and the data buffer should not exceed 255 bytes. The I2CSTAT Internal Register shows the results from the last I<sup>2</sup>C transaction of the command.

## 7. Port I/O

The CP2120 offers eight general-purpose port pins that can be configured as output, input, or quasi-bidirectional output by writing to the internal registers, IOCONFIG and IOCONFIG2. Pin state can be updated by writing to the internal register, IOSTATE. Reading the IOSTATE Internal Register will return the current values of each port pin.

The port pin, EINT, can be configured as an edge-triggered interrupt source by writing to the EDGEINT Internal Register. The EIT bit sets the interrupt to trigger upon a 0 to 1 or a 1 to 0 logic change on the pin. The bit, EIE, enables the pin as an interrupt source.

Once the interrupt has been configured and enabled, the CP2120 will pull the INT pin low when the port pin's logic value switches to "1" or "0", depending on the interrupt configuration specified in the EIT bit. When an interrupt is triggered, EIF in the EDGEINT Internal Register is set. Reading from EDGEINT will clear the EIF bit.

### Internal Register Definition 7. IOCONFIG: Port I/O Configuration

R/W	R/W	R/W	R/W	R/W	R/W	R/W	R/W
PCIO3.1	PCIO3.0	PCIO2.1	PCIO2.0	PCIO1.1	PCIO1.0	PCIO0.1	PCIO0.0
Bit 7	Bit 6	Bit 5	Bit 4	Bit 3	Bit 2	Bit 1	Bit 0

Internal Register Address: 0x00  
 Reset Value: 0x00  
 Bit 7-6: PCIO3.1-PCIO3.0: Port Configuration for GPIO Pin 3  
 Bit 5-4: PCIO2.1-PCIO2.0: Port Configuration for GPIO Pin 2  
 Bit 3-2: PCIO1.1-PCIO1.0: Port Configuration for GPIO Pin 1  
 Bit 1-0: PCIO0.1-PCIO0.0: Port Configuration for GPIO Pin 0  
 These bits select the port state for GPIO pins 3 through 0.

PCIOx.1	PCIOx.0	GPIO Pin x Mode
0	0	Open Drain Output
0	1	Input Only
1	0	Push-Pull Output
1	1	Reserved

## Internal Register Definition 8. IOCONFIG2: Port I/O Configuration 2

R/W	R/W	R/W	R/W	R/W	R/W	R/W	R/W
PCIO7.1	PCIO7.0	PCIO6.1	PCIO6.0	PCIO5.1	PCIO5.0	PCIO4.1	PCIO4.0
Bit 7	Bit 6	Bit 5	Bit 4	Bit 3	Bit 2	Bit 1	Bit 0

Internal Register Address: 0x07  
 Reset Value: 0x00

Bit 7-6: PCIO7.1-PCIO7.0: Port Configuration for GPIO Pin 7  
 Bit 5-4: PCIO6.1-PCIO6.0: Port Configuration for GPIO Pin 6  
 Bit 3-2: PCIO5.1-PCIO5.0: Port Configuration for GPIO Pin 5  
 Bit 1-0: PCIO4.1-PCIO4.0: Port Configuration for GPIO Pin 4  
 These bits select the port state for GPIO pins 7 through 4.

PCIOx.1	PCIOx.0	GPIO Pin x Mode
0	0	Open Drain Output
0	1	Input Only
1	0	Push-Pull Output
1	1	Input Only

## Internal Register Definition 9. IOSTATE: Port I/O State

R/W	R/W	R/W	R/W	R/W	R/W	R/W	R/W
GPIO7	GPIO6	GPIO5	GPIO4	GPIO3	GPIO2	GPIO1	GPIO0
Bit 7	Bit 6	Bit 5	Bit 4	Bit 3	Bit 2	Bit 1	Bit 0

Internal Register Address: 0x01  
 Reset Value: 0x00

Bit 7-0: GPIO7-0: General Purpose Input/Output State  
 Write - Output appears on output pins.  
 0: GPIOx set to logic low output.  
 1: GPIO set to logic high output.  
 Read - Reads port state.  
 0: GPIOx is logic low.  
 1: GPIOx is logic high.

### Internal Register Definition 10. EDGEINT: Edge Triggered Interrupt Enable

R/W	R/W	R/W	R/W	R/W	R/W	R/W	R/W
EIF	EIE	EIT	Rsvd	Rsvd	Rsvd	Rsvd	Rsvd
Bit 7	Bit 6	Bit 5	Bit 4	Bit 3	Bit 2	Bit 1	Bit 0

Internal Register Address: 0x08  
Reset Value: 0x00

Bit 7: EIF: Edge Triggered Interrupt Flag  
0: No edge triggered event has occurred on the EI\_INT pin.  
1: Edge-triggered event has occurred on the EI\_INT pin.

Bit 6: EIE: Edge Triggered Interrupt Enable  
0: Edge Triggered interrupts disabled.  
1: Edge Triggered interrupts enabled.

Bit 5: EIT: Edge Triggered Interrupt Trigger  
0: Interrupt triggered on negative-to-positive digital transition on the EI\_INT port pin.  
1: Interrupt triggered on positive-to-negative digital transition on the EI\_INT port pin.

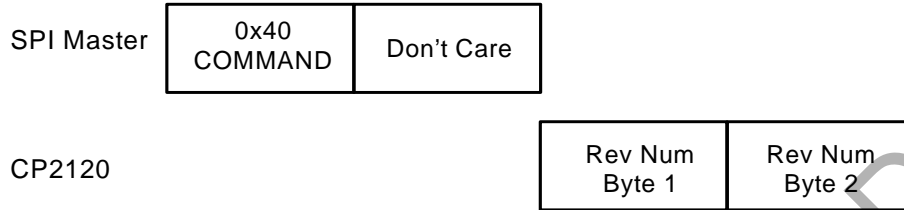
Bit 4–Bit 0: Not used.

# CP2120

---

## 8. CP2120 Revision Number

The CP2120 revision number can be retrieved by first sending the *Revision Number* command byte of 0x40 and then transmitting one “don’t care” transitional byte. The CP2120 then transmits the two-byte revision number, most significant byte first, in BCD format. For example, a transmitted byte sequence of “0x01 0x44” would indicate that the CP2120’s revision number is equal to 1.44.



Not Recommended for New Designs

## DOCUMENT CHANGE LIST

### Revision 0.1 to Revision 0.2

- Various small text changes.
- Updated 4.1 Pin Out Chart.
- Updated 4.2 Pin Out Diagram.
- Updated Figure 2. SPI Bus Typical Connections.
- Added Table 3. Internal Register Addresses.
- Updated all CP2120 command drawings.
- Added section 6.1 Determining Pull-Up Register Values.
- Changed appearance of all Internal Register Definition charts.
- Changed contents of Section 8. CP2120 Revision Number.

### Revision 0.2 to Revision 0.3

- Removed references to power down mode.
- Corrected Equation 1, "I<sup>2</sup>C Clock Frequency," on page 13.
- In Internal Register 4, "I<sup>2</sup>CTO2: Additional I<sup>2</sup>C Time Outs," on page 15, changed Internal Register Address to "0x09".
- In Internal Register 5, "I<sup>2</sup>CSTAT: I<sup>2</sup>C Status Register," on page 16, changed all bits to "R" instead of "R/W".
- In Internal Register 6, "RXBUFF: Receive Buffer Size Register," on page 17, changed all bits to "R" instead of "R/W".

### Revision 0.3 to Revision 0.4

- Updated Figure 1.
- Updated Digital Supply Voltage in Table 2.
- Updated Figure 3.

### Revision 0.4 to Revision 1.0

- Updated CS and INT to have the overbar in Section 4.1.
- Added  $V_{RST}$  parameter to Table 1 on page 4.
- Updated the description of Register 7, "IOCONFIG: Port I/O Configuration," on page 19 to describe 11b as Reserved.
- Added a note regarding no repeated start support in Section 6 on page 13.
- Added a note regarding SPI clock speeds to Section 5 on page 9.

Silicon Labs

# Simplicity Studio™4



## Simplicity Studio

One-click access to MCU and wireless tools, documentation, software, source code libraries & more. Available for Windows, Mac and Linux!



IoT Portfolio  
[www.silabs.com/loT](http://www.silabs.com/loT)



SW/HW  
[www.silabs.com/simplicity](http://www.silabs.com/simplicity)



Quality  
[www.silabs.com/quality](http://www.silabs.com/quality)



Support and Community  
[community.silabs.com](http://community.silabs.com)

### Disclaimer

Silicon Labs intends to provide customers with the latest, accurate, and in-depth documentation of all peripherals and modules available for system and software implementers using or intending to use the Silicon Labs products. Characterization data, available modules and peripherals, memory sizes and memory addresses refer to each specific device, and "Typical" parameters provided can and do vary in different applications. Application examples described herein are for illustrative purposes only. Silicon Labs reserves the right to make changes without further notice and limitation to product information, specifications, and descriptions herein, and does not give warranties as to the accuracy or completeness of the included information. Silicon Labs shall have no liability for the consequences of use of the information supplied herein. This document does not imply or express copyright licenses granted hereunder to design or fabricate any integrated circuits. The products are not designed or authorized to be used within any Life Support System without the specific written consent of Silicon Labs. A "Life Support System" is any product or system intended to support or sustain life and/or health, which, if it fails, can be reasonably expected to result in significant personal injury or death. Silicon Labs products are not designed or authorized for military applications. Silicon Labs products shall under no circumstances be used in weapons of mass destruction including (but not limited to) nuclear, biological or chemical weapons, or missiles capable of delivering such weapons.

### Trademark Information

Silicon Laboratories Inc.®, Silicon Laboratories®, Silicon Labs®, SiLabs® and the Silicon Labs logo®, Bluegiga®, Bluegiga Logo®, Clockbuilder®, CMEMS®, DSPLL®, EFM®, EFM32®, EFR®, Ember®, Energy Micro, Energy Micro logo and combinations thereof, "the world's most energy friendly microcontrollers", Ember®, EZLink®, EZRadio®, EZRadioPRO®, Gecko®, ISOModem®, Precision32®, ProSLIC®, Simplicity Studio®, SiPHY®, Telegesis, the Telegesis Logo®, USBXpress® and others are trademarks or registered trademarks of Silicon Labs. ARM, CORTEX, Cortex-M3 and THUMB are trademarks or registered trademarks of ARM Holdings. Keil is a registered trademark of ARM Limited. All other products or brand names mentioned herein are trademarks of their respective holders.



**SILICON LABS**

Silicon Laboratories Inc.  
400 West Cesar Chavez  
Austin, TX 78701  
USA

<http://www.silabs.com>