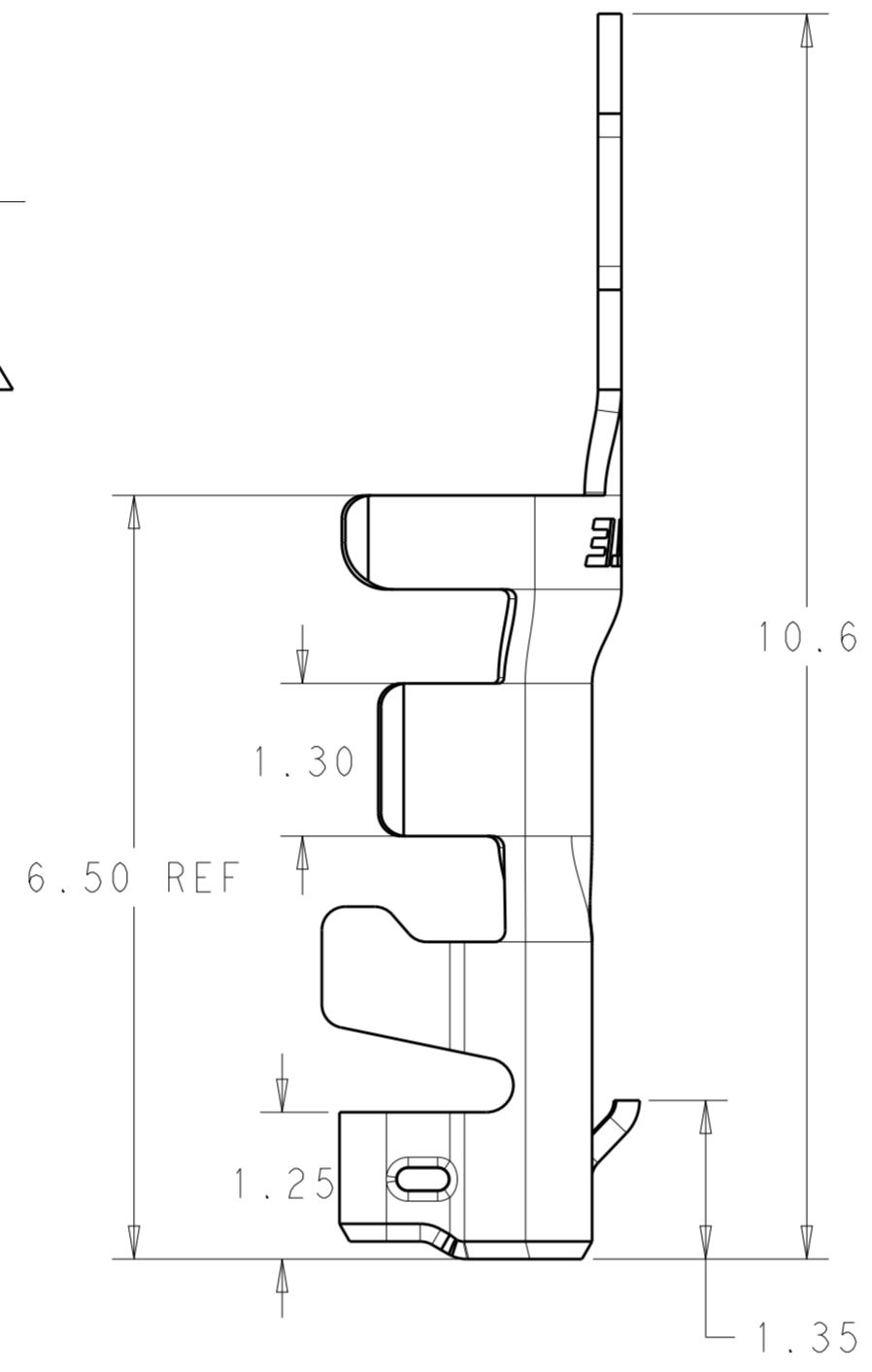
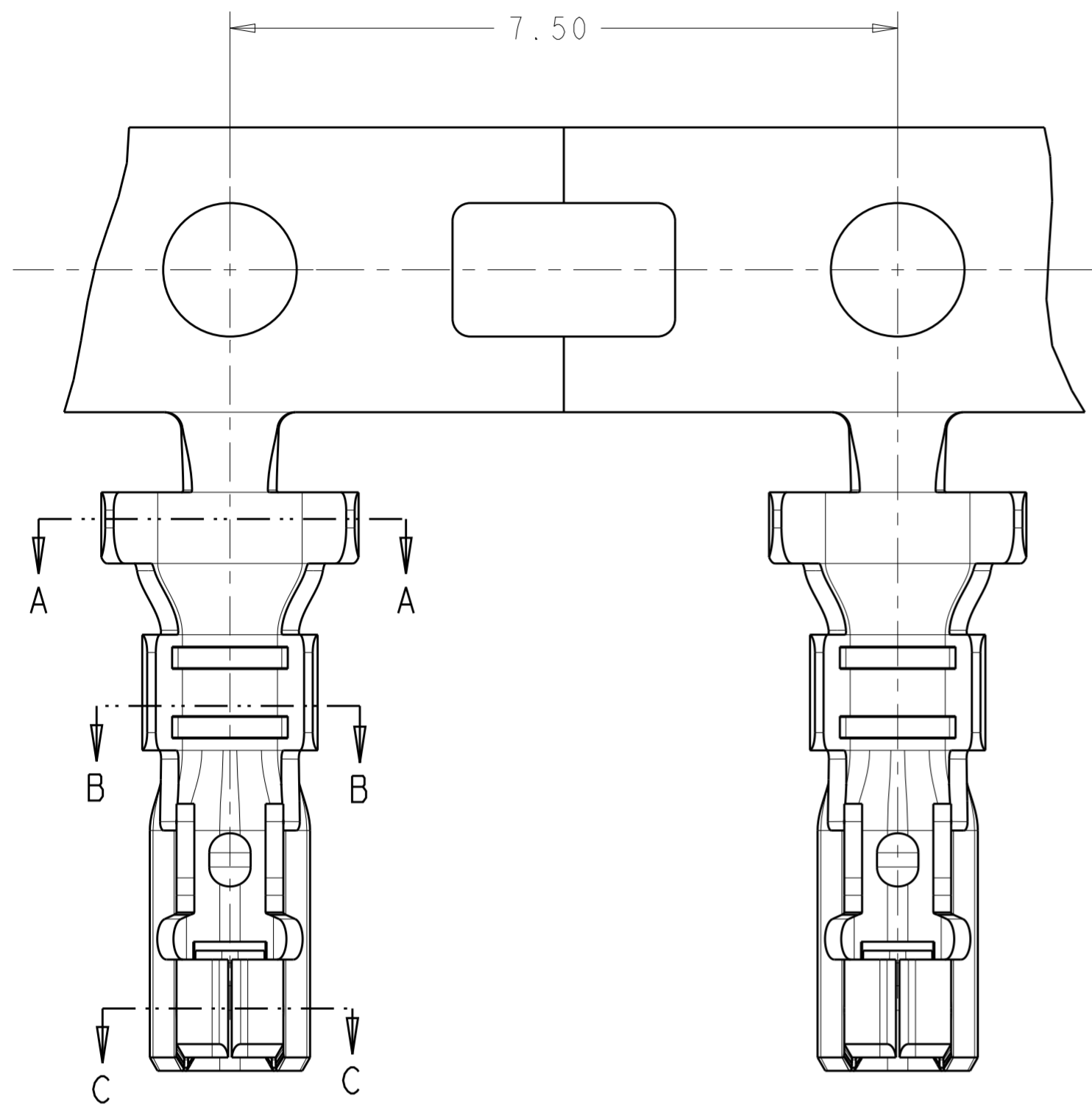
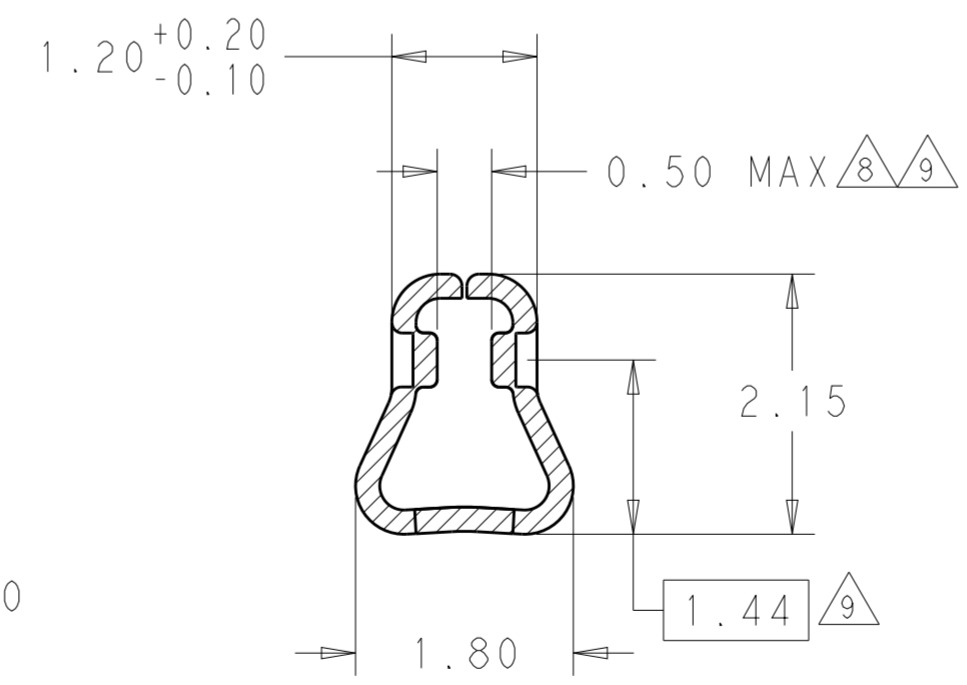
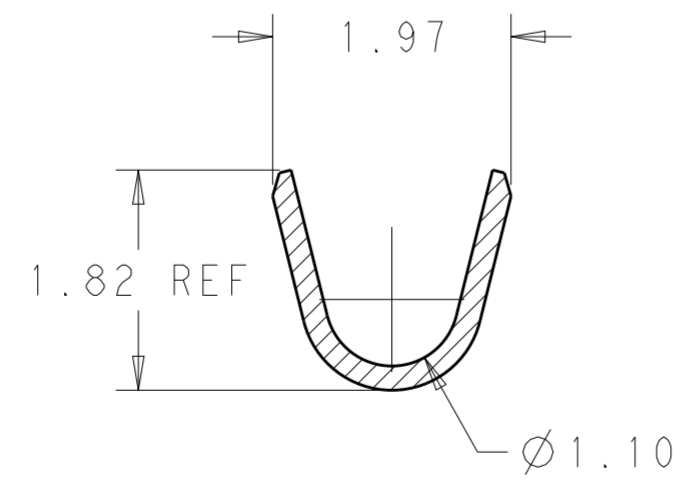
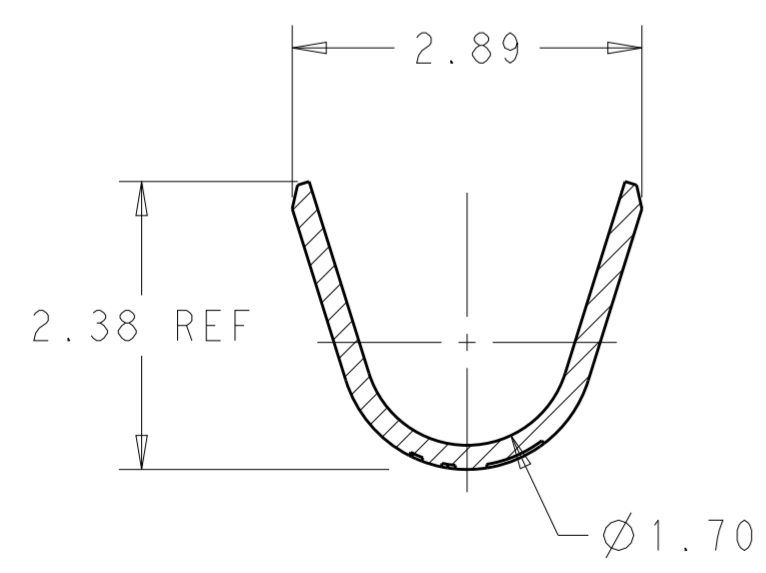
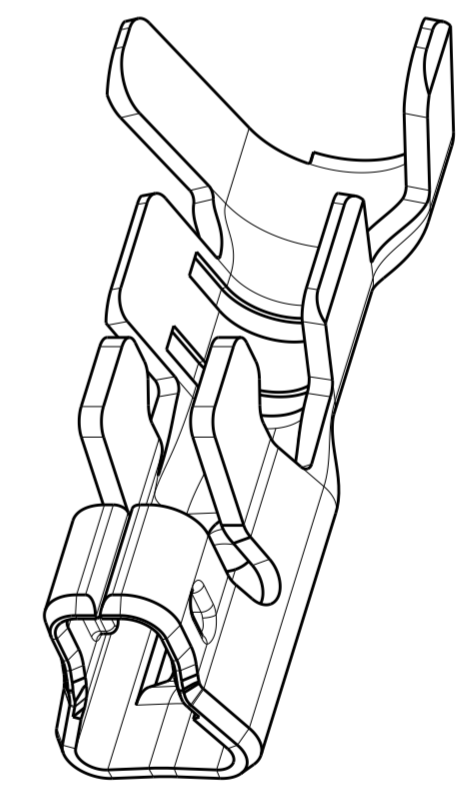


THIS DRAWING IS UNPUBLISHED. RELEASED FOR PUBLICATION 2016  
 © COPYRIGHT 2016 BY - ALL RIGHTS RESERVED.

REVISIONS				
P	LTR	DESCRIPTION	DATE	APVD
B		REVISED PER ECR-19-012801	09JAN2020	WH DZ



- ① MATERIAL: PHOSPHOR BRONZE.
- ② FINISH: PRE-TIN.
- 3. DESIGNED FOR USE IN HOUSINGS [ ]-1969442-[ ] OR [ ]-1744417-[ ].
- 4. CONTACTS COATED WITH ANTI-FRETTING LUBRICANT.
- 5. CONTACT IS RoHS COMPLIANT.
- 6. WIRE RANGE: 0.20~0.56mm<sup>2</sup> [24-20 AWG] STRANDED.
- 7. INSULATION RANGE: 1.3~1.9mm
- ⑧ AFTER CRIMP DIMENSION
- ⑨ MEASURE LOCATION FOR 0.50 MAX DIMENSION



2232983-1  
PART NUMBER

THIS DRAWING IS A CONTROLLED DOCUMENT.		DWN: OTIO CHEN 14JAN2016	<b>STE</b> TE Connectivity	
		CHK: DANIEL 16JAN2016		
		APVD: DANIEL 16JAN2016	NAME: LOW INSERTION FORCE CONTACT EP 2.5, RECEPTACLE	
DIMENSIONS: mm		PRODUCT SPEC: 108-2418	SIZE: A200779	CAGE CODE: C-2232983
TOLERANCES UNLESS OTHERWISE SPECIFIED:		APPLICATION SPEC: 114-13315	SCALE: N/A	SHEET 1 OF 1
0 PLC ±		WEIGHT: -	RESTRICTED TO: -	
1 PLC ±0.5		CUSTOMER DRAWING		
2 PLC ±0.30		REV B		
3 PLC ±				
4 PLC ±				
ANGLES ±1°				
FINISH				