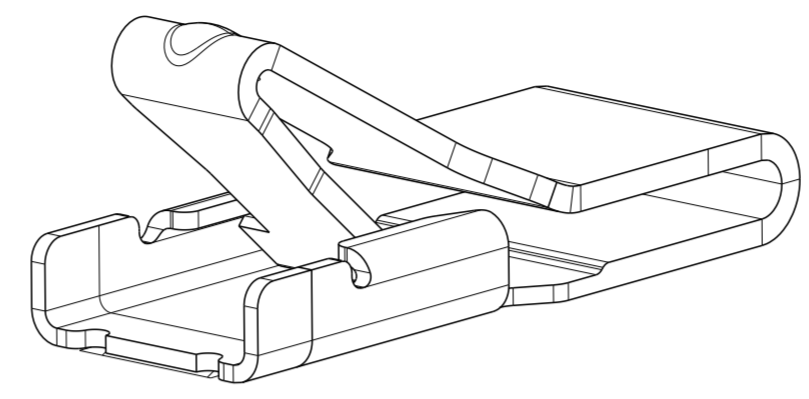
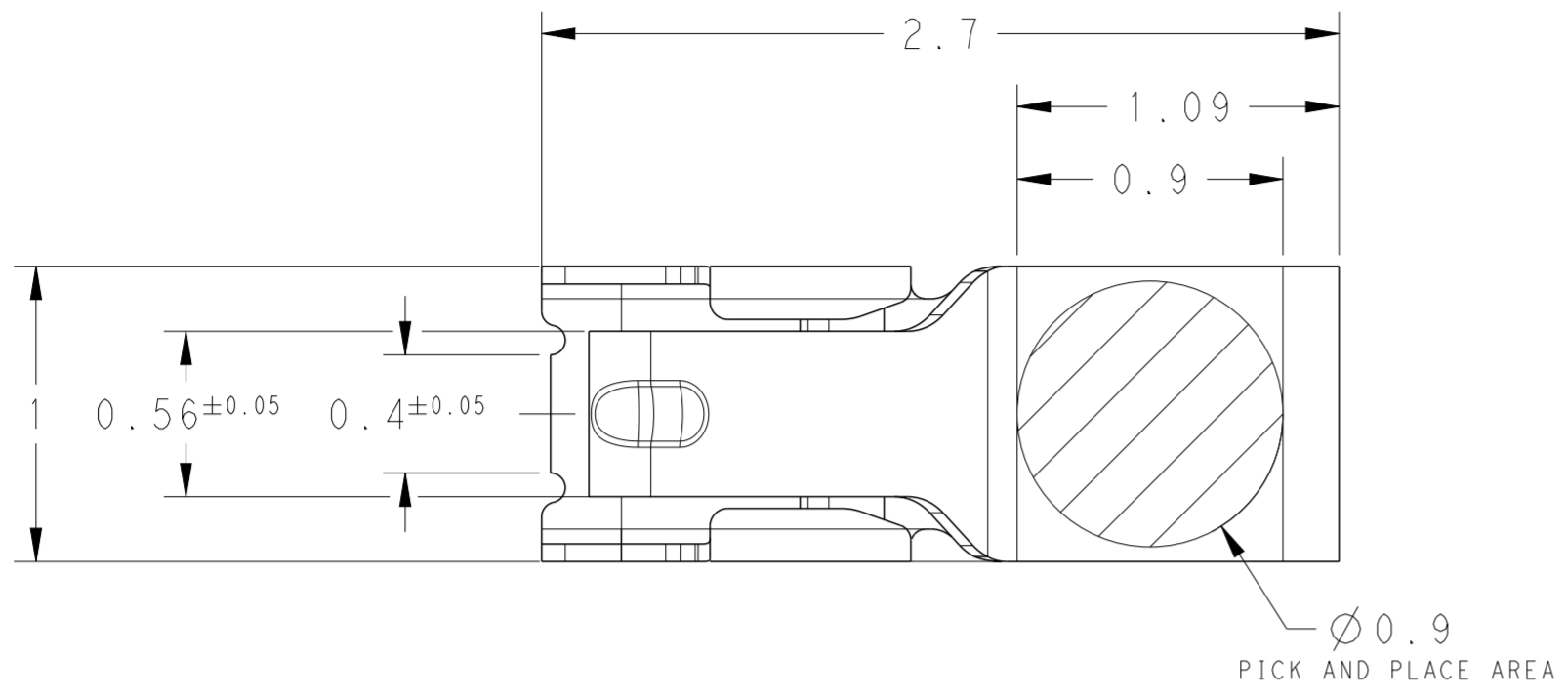


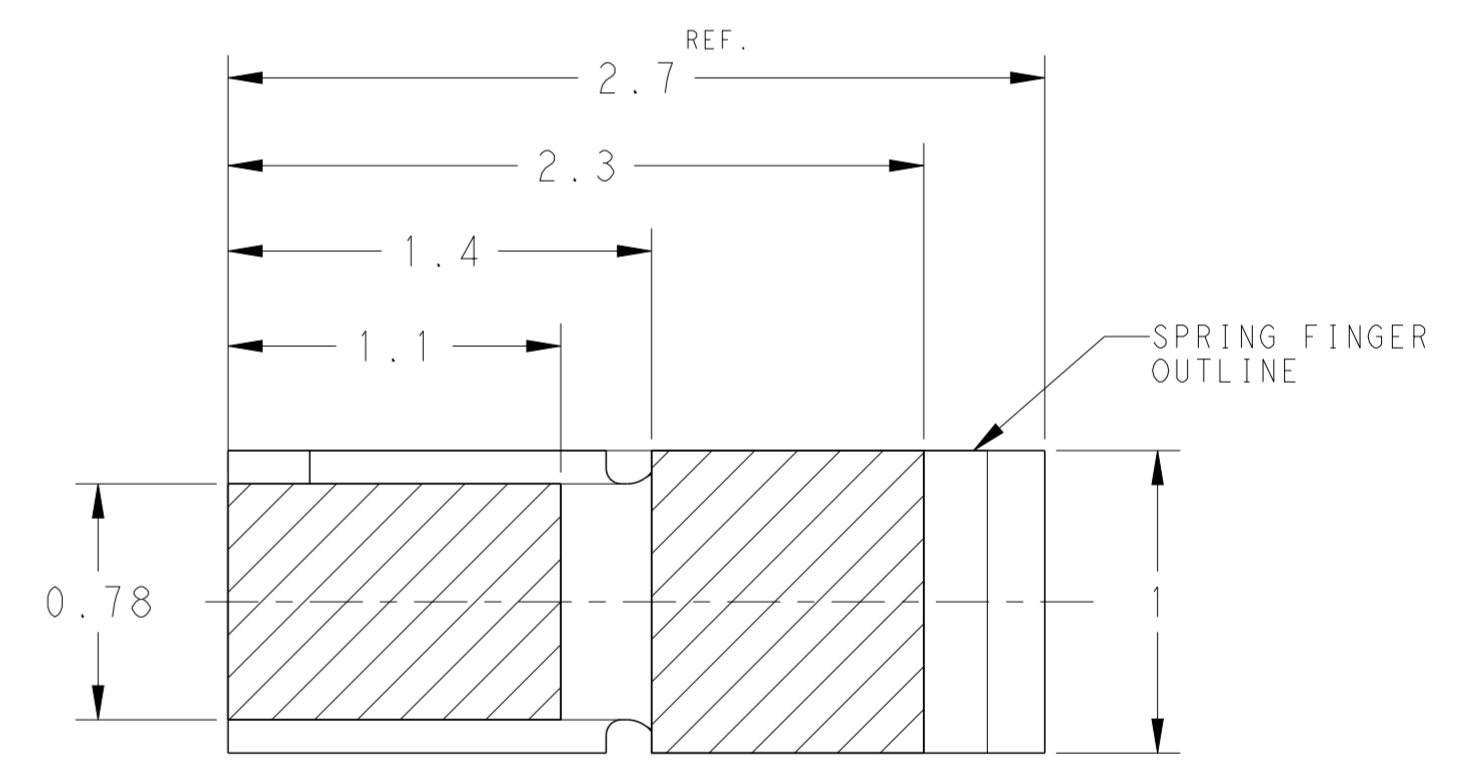
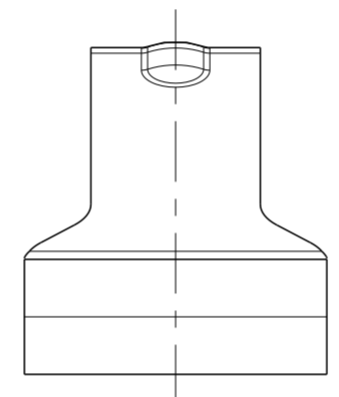
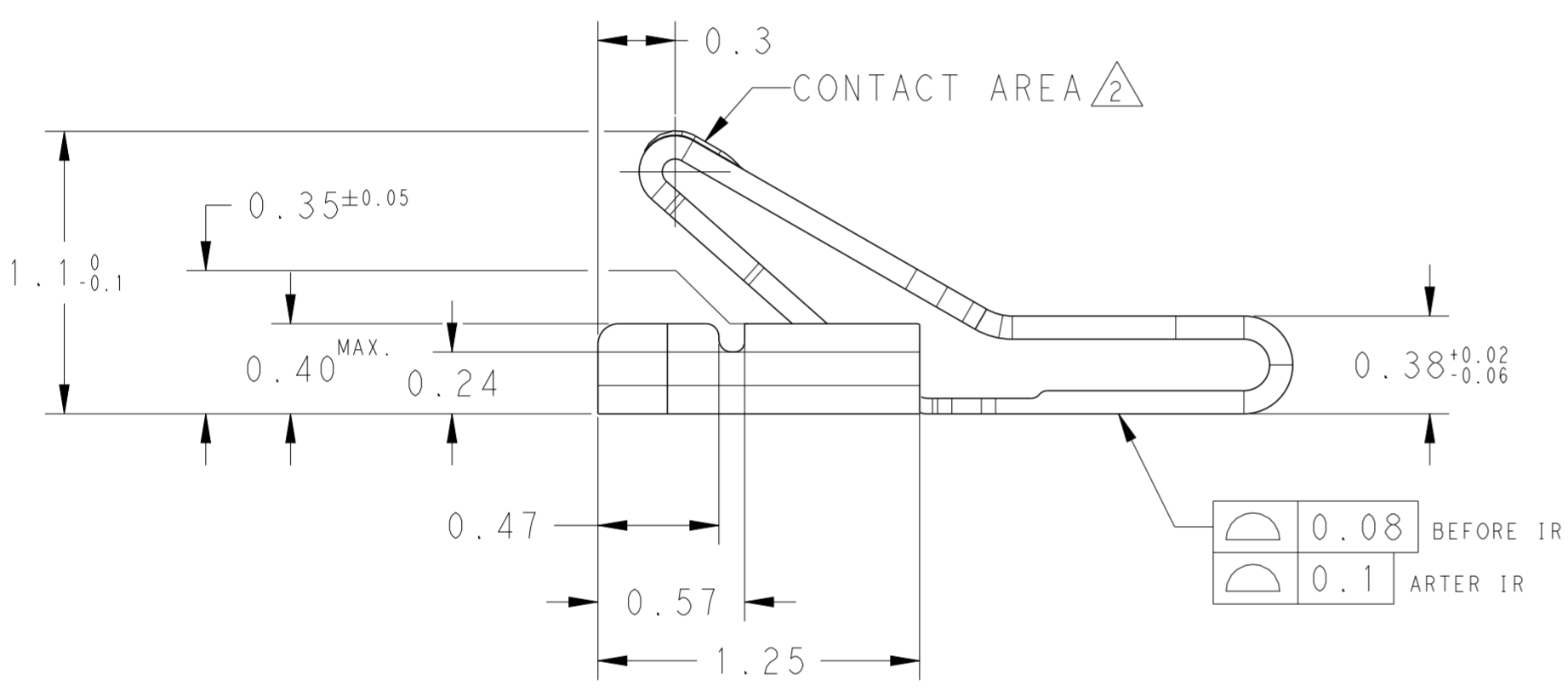
THIS DRAWING IS UNPUBLISHED. RELEASED FOR PUBLICATION
 © COPYRIGHT copyright.d8Te- ALL RIGHTS RESERVED.

REVISIONS					
P	LTR	DESCRIPTION	DATE	DWN	APVD
	A	INITIAL	24JUN2016	S.W	W.H

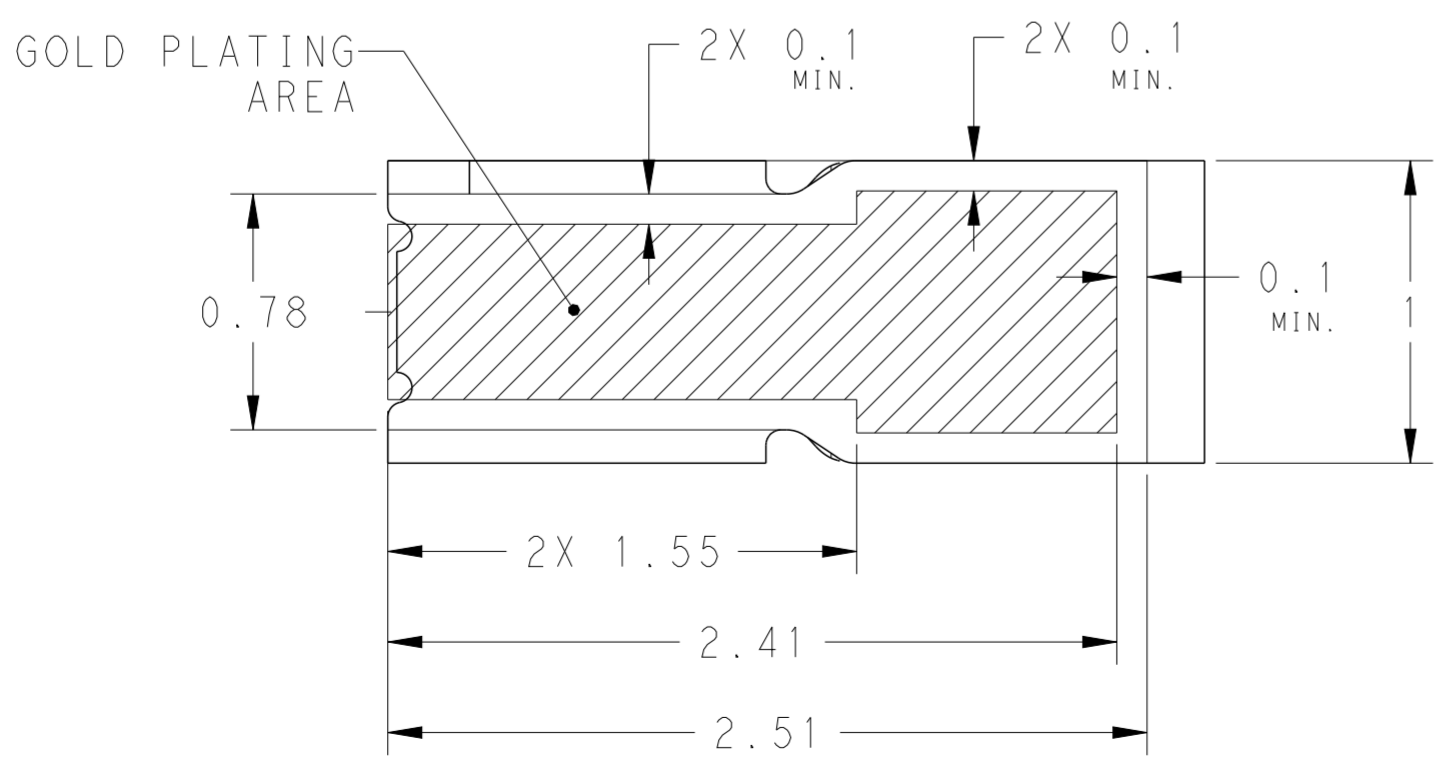


NOTE:

- MATERIAL: STAINLESS STEEL SUS301, THK: 0.09 mm.
- FINISH: NICKEL PLATE ALL OVER 0.002 mm~0.0076 mm THK. GOLD PLATE AREA 0.00025 mm MIN.THK. AT CONTACT AREA; GOLD PLATE AREA 0.000075~0.0002 mm MIN.THK. AT SOLDERING AREA.
- PERMITTED BURR 0.03 mm MAX.
- NORMAL FORCE 0.7N MIN. READ FROM RETURNED CURVE.
- WORKING POSITION: 0.4~0.75 mm.
- LLCR: 50 mΩ MAX. AT INITIAL, AND THE CHANGED LLCR NOT GREATER THAN 10 mΩ AFTER TEST.



SCALE 40:1
 RECOMMENDED PCB FOOTPRINT AND METAL MASK
 TOL. ±0.02

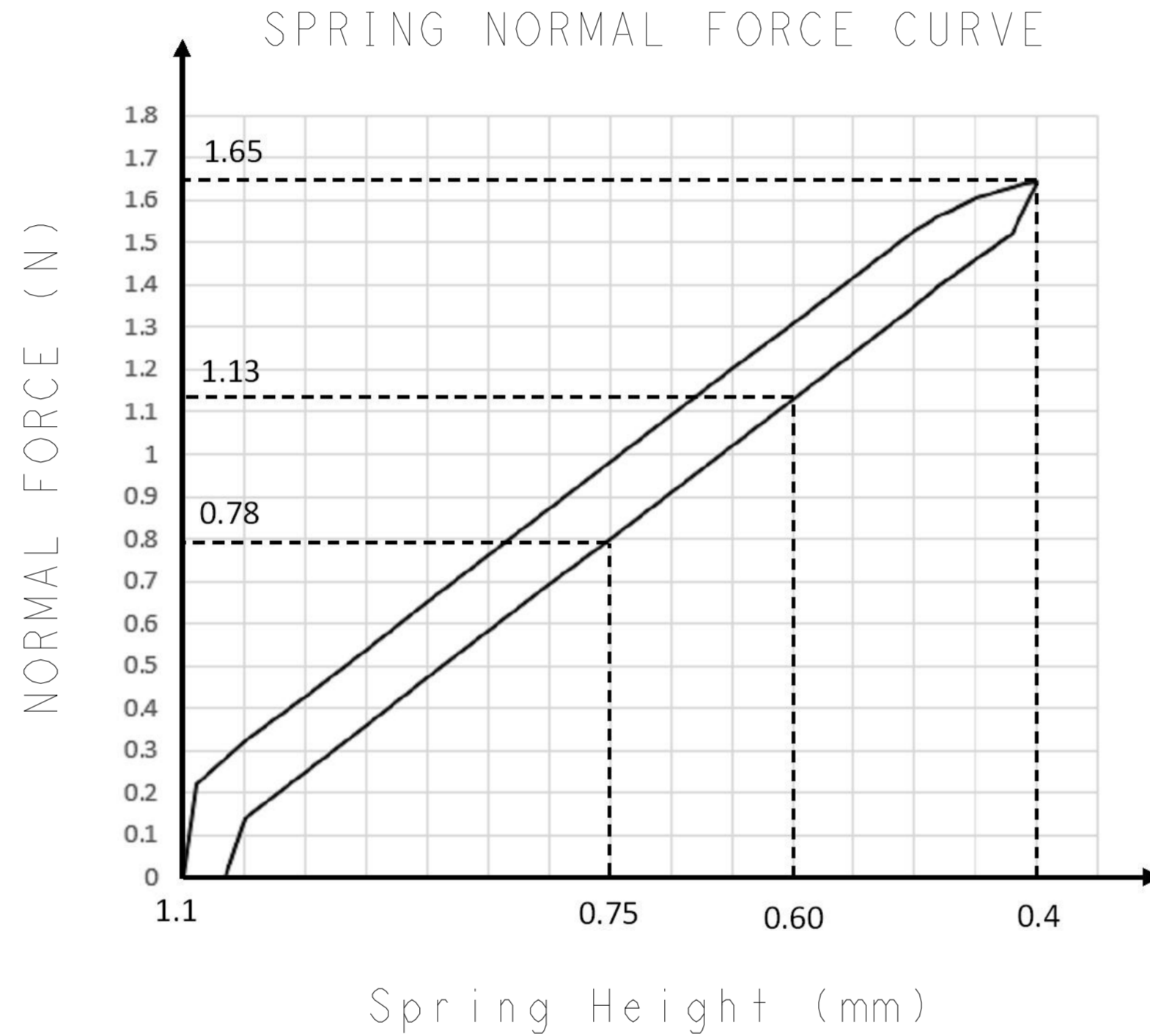


2292838-3
 PART NO.

THIS DRAWING IS A CONTROLLED DOCUMENT.		DWN SIMON WU 20MAY2015	TE Connectivity		
DIMENSIONS: mm		CHK WENKE HE 20MAY2015			
TOLERANCES UNLESS OTHERWISE SPECIFIED: ±0.1		APVD WENKE HE 20MAY2015	PRODUCT SPEC 108-115104		
0-PLC ± 1-PLC ±0.1 2-PLC ±0.01 3-PLC ±0.001 4-PLC ±0.0001 ANGLES ±5° FINISH		APPLICATION SPEC -		SIZE A2	RESTRICTED TO -
MATERIAL 1		WEIGHT 0.004g		CAGE CODE -	DRAWING NO. C-2292838
FINISH 2		CUSTOMER DRAWING		SCALE 40:1	SHEET 1 OF 3 REV A

THIS DRAWING IS UNPUBLISHED. RELEASED FOR PUBLICATION
 © COPYRIGHT copyright.d8te- ALL RIGHTS RESERVED.

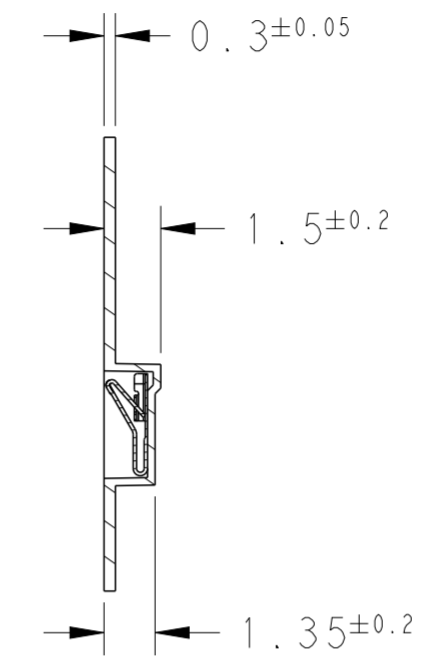
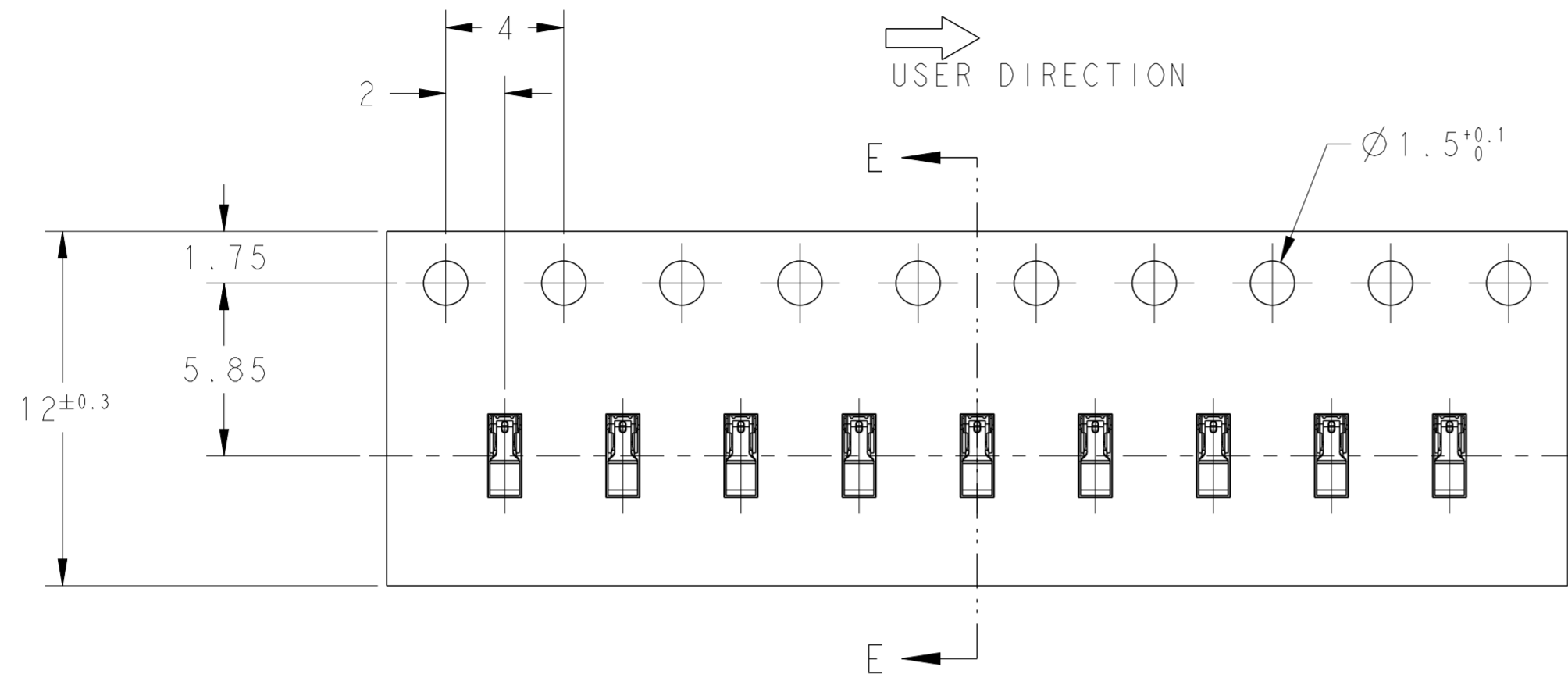
REVISIONS				
P	LTR	DESCRIPTION	DATE	APVD
-	-	SEE SHEET 1	-	-



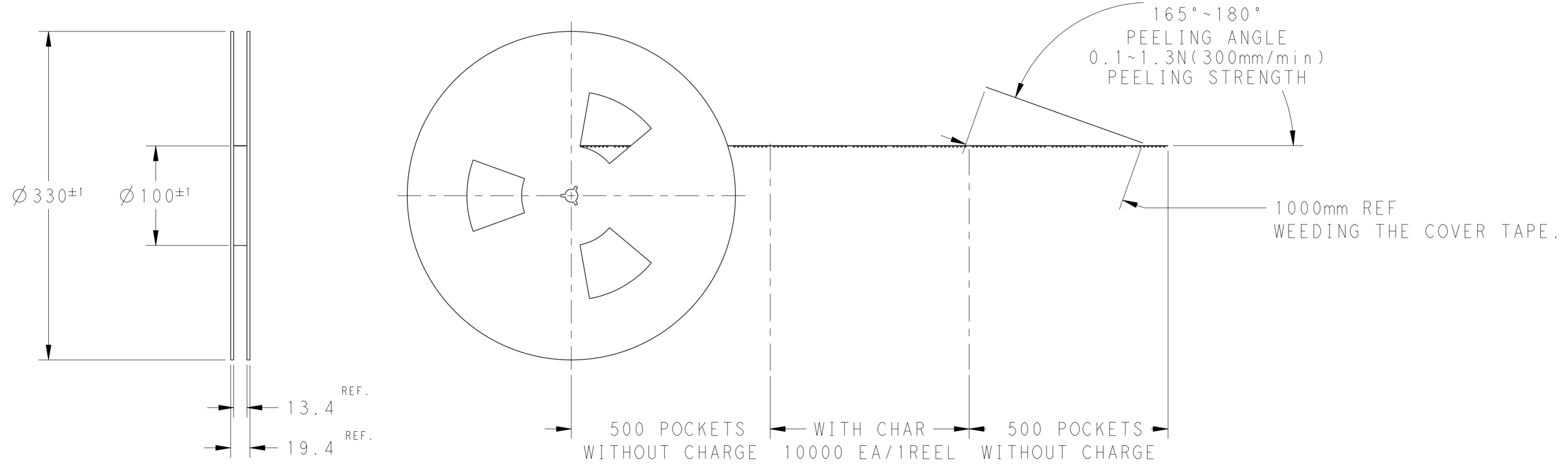
THIS DRAWING IS A CONTROLLED DOCUMENT.		DWN	STE TE Connectivity		
		CHK	NAME		
DIMENSIONS: mm		APVD	1.1H LOWER PROFILE SPRING FINGER		
TOLERANCES UNLESS OTHERWISE SPECIFIED: 0-PLC ± 1-PLC ±0.1 2-PLC ±0.01 3-PLC ±0.001 4-PLC ±0.0001 ANGLES ±0°		PRODUCT SPEC	SIZE	CAGE CODE	DRAWING NO
MATERIAL		APPLICATION SPEC	A2	-	C-2292838
		WEIGHT	RESTRICTED TO		-
		CUSTOMER DRAWING	SCALE	SHEET	REV
			N/A	2 OF 3	A

THIS DRAWING IS UNPUBLISHED. RELEASED FOR PUBLICATION
 © COPYRIGHT copyright.d8te- ALL RIGHTS RESERVED.

REVISIONS				
P	LTR	DESCRIPTION	DATE	APVD
-	-	SEE SHEET 1	-	-



SECTION E-E



NOTE:
 PACKAGE QUANTITY: 10,000 PCS PER REEL.

THIS DRAWING IS A CONTROLLED DOCUMENT.		DWN	STE TE Connectivity	
DIMENSIONS: mm		CHK		
TOLERANCES UNLESS OTHERWISE SPECIFIED: ± 0.1 0-PLC \pm 1-PLC ± 0.1 2-PLC ± 0.01 3-PLC ± 0.001 4-PLC ± 0.0001 ANGLES $\pm 5^\circ$		APVD	NAME	
MATERIAL		PRODUCT SPEC	1.1H LOWER PROFILE SPRING FINGER	
FINISH		APPLICATION SPEC	SIZE	CAGE CODE
		WEIGHT	A2	-
		CUSTOMER DRAWING	DRAWING NO	RESTRICTED TO
		SCALE	G-2292838	-
		SHEET	5:1	3 OF 3
		REV	A	