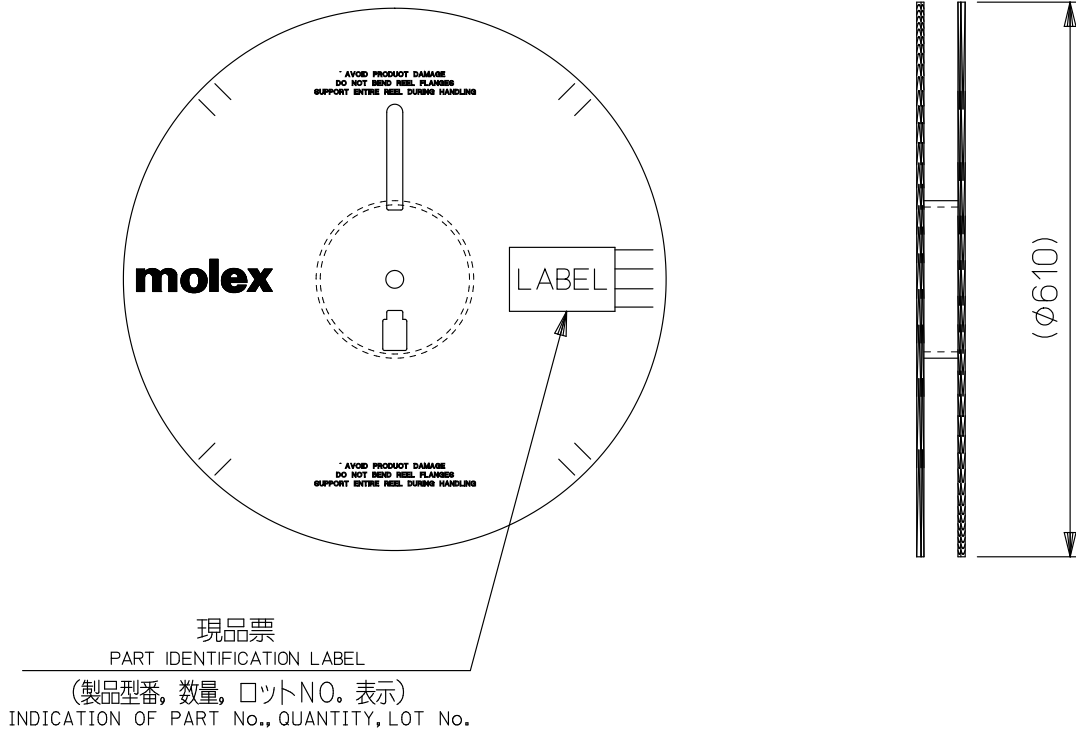


1. 製品名称 / PRODUCT NAME : 1.25 W TO B CONN. REC. CRIMP TERM.  
 製品番号 / PART NUMBER : 5 0 5 4 3 1 1 0 0 0、5 0 5 4 3 1 1 1 0 0  
 5 0 5 4 3 1 1 2 0 0、5 0 5 4 3 1 1 3 0 0

2. 標準梱包数 / STANDARD PACKAGING QUANTITY.

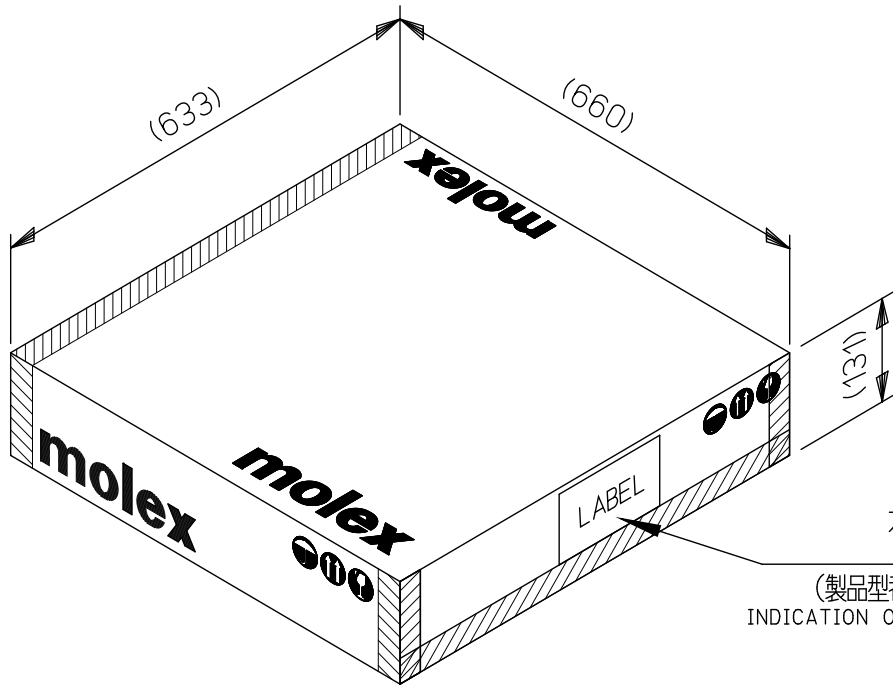
1 リールの巻き数 QTY. PER REEL	カートン中のリール数 NUMBER OF REELS	1 カートンの製品数 QUANTITY IN ONE CARTON
23,000	4	92,000

3. リール外形参考寸法 / REEL OUTER DIMENSIONS (REFERENCE PURPOSE ONLY)



REV.	C						
SHEET	1~2						
REVISE ON PC ONLY		TITLE:					
C	REVISED 629427 2019/12/23 Y.TOKUZONO	5 0 5 4 3 1 梱包仕様書 SALES PACKAGING SPEC. FOR 505431					
	THIS DOCUMENT CONTAINS INFORMATION THAT IS PROPRIETARY TO MOLEX ELECTRONIC TECHNOLOGIES, LLC AND SHOULD NOT BE USED WITHOUT WRITTEN PERMISSION						
REV.	DESCRIPTION	WRITTEN BY:		CHECKED BY:	APPROVED BY:	DATE:	
	DESIGN CONTROL J	STATUS	YTOKUZONO	T.HARUYAMA	H.HIRATA	2015/09/25	
DOCUMENT NUMBER 5054319200			DOC. TYPE PS	DOC. PART 200	CUSTOMER GENERAL		SHEET 1 OF 2
							EN-127(2015-12)

4. カートン外形参考寸法 / CARTON OUTER DIMENSIONS (REFERENCE PURPOSE ONLY)      単位 / UNIT: mm



カートンラベル  
CARTON LABEL

(製品型番, 数量, ロットNO. 表示)  
INDICATION OF PART No., QUANTITY, LOT No.

REVISE ON PC ONLY		TITLE:			
<b>C</b>	SEE SHEET 1 OF 2	5 0 5 4 3 1 梱包仕様書 SALES PACKAGING SPEC. FOR 505431			
	REV.	DESCRIPTION	<small>THIS DOCUMENT CONTAINS INFORMATION THAT IS PROPRIETARY TO MOLEX ELECTRONIC TECHNOLOGIES, LLC AND SHOULD NOT BE USED WITHOUT WRITTEN PERMISSION</small>		
DOCUMENT NUMBER 5054319200		DOC. TYPE PS	DOC. PART 200	CUSTOMER GENERAL	SHEET 2 OF 2