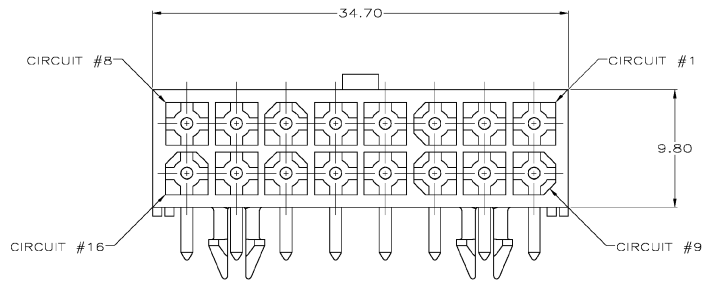
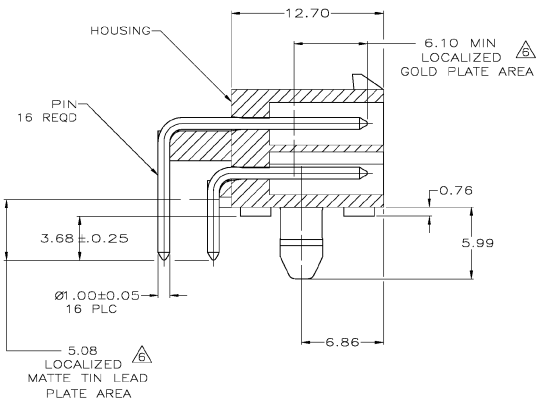
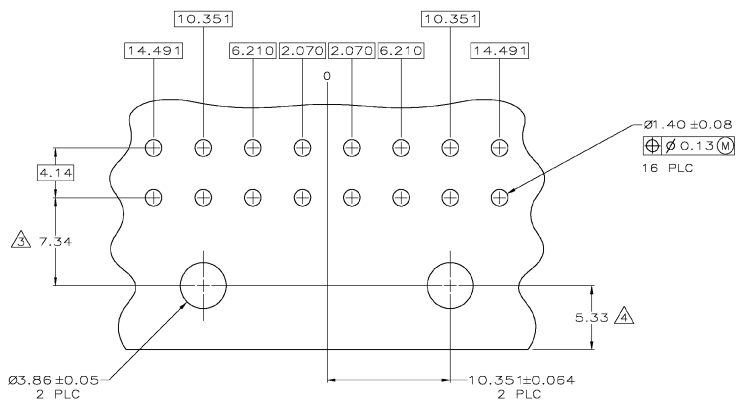


REV	DATE	DESCRIPTION	BY	CHK	APP
CM 00					
F		REV PER ECN 0028-0518-03	12AUG03	SC	CJ



- PINS TO COMPLY WITH AMP SOLDERABILITY SPEC 109-11-3.
 - MATES WITH PLUG P/N 770583-1.
- △ COORDINATE DIMENSION APPLIES FROM CENTER OF ACTUAL FEATURE.
 - △ RECOMMENDED FOR EDGE MOUNTING.
 - △ 0.00381 MIN MATTE TIN LEAD OVER 0.00127 MIN NICKEL ENTIRE LENGTH OF PIN.
 - △ 0.00076 MIN GOLD PLATE IN THE LOCALIZED PLATE AREA, 0.00381 MIN MATTE TIN LEAD IN THE LOCALIZED PLATE AREA, BOTH OVER 0.00127 MIN NICKEL.
 - △ 0.00381 MIN MATTE TIN OVER 0.00127 MIN NICKEL.



RECOMMENDED MOUNTING HOLE PATTERN FOR 1.57 THICK P.C. BOARD

3.68	.145	34.70	1.366
2.070	.0815	14.491	.5705
1.57	.062	12.70	.500
1.40	.055	10.351	.4075
1.00	.039	9.80	.386
0.76	.030	7.34	.289
0.25	.010	6.86	.270
0.13	.005	6.210	.2445
0.08	.003	6.10	.240
0.064	.0025	5.99	.236
0.05	.002	5.33	.210
0.00381	0.000150	5.08	.200
0.00127	0.000050	4.14	.163
0.00076	0.000030	3.86	.152
MM	IN	MM	IN

CONVERSION TABLE

BRASS	△	NYLON, UL94V-0	WHITE	1-770974-0
BRASS	△	NYLON, UL94V-0	WHITE	770974-2
BRASS	△	NYLON, UL94V-0	WHITE	770974-1
MATERIAL	FINISH	MATERIAL	COLOR	PART NO.

THIS DRAWING IS A CONTROLLED DOCUMENT. DATE: 12AUG2003. BY: S. CARPENTER. CHECKED: J. JONES. APPROVED: J. JONES. TITLE: CUSTOMER DRAWING.

APPLICATOR SPEC: HEADER ASSEMBLY, RIGHT ANGLE, WITH SHORT LEG, 16 CIRCUIT, MINI UNIVERSAL MATE-N-LOK™. SIZE: A1. CASE CODE: 00779. DRAWING NO: 770974. SCALE: 5:1. SHEET: 1 OF 1. REV: F.

