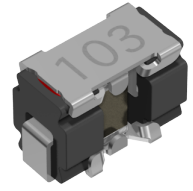


ACH32C-222-T001



Applications	Commercial Grade
Feature	Large Current For Large Current Power Line
Series	ACH
Status	Production (Not Recommended for New Design)



Size	
Length(L)	3.20mm ±0.20mm
Width(W)	1.60mm ±0.20mm
Thickness(T)	2.10mm ±0.20mm

Electrical Characteristics	
Insertion Loss [Min.]	25dB (55MHz to 300MHz)
Cut-Off Frequency [Typ.]	
Rated Voltage [Max.]	50V
Rated Current [Max.]	6A
DC Resistance (Max.)	2mΩ
Rated Capacitance [Typ.]	2.2nF

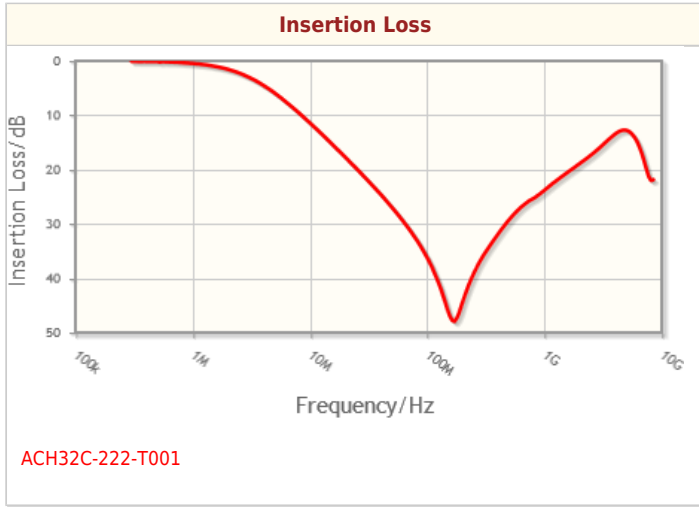
Other	
Circuit Type	T Type
Transmission Line	Single-ended
Operating Temp. Range	-40 to 125°C
Soldering Method	Reflow Iron Soldering
AEC-Q200	No
Packing	Embossed (Plastic)Taping [180mm Reel]
Package Quantity	2000pcs
Weight	0.038g

! Images are for reference only and show exemplary products.
! This PDF document was created based on the data listed on the TDK Corporation website.
! All specifications are subject to change without notice.

ACH32C-222-T001



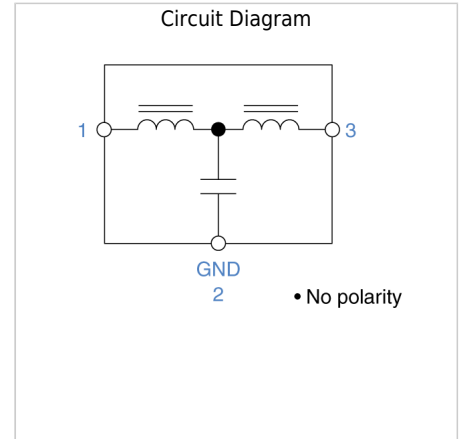
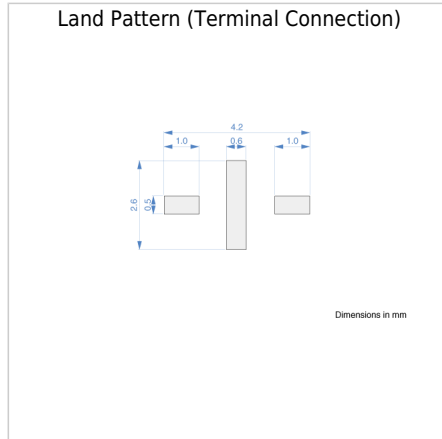
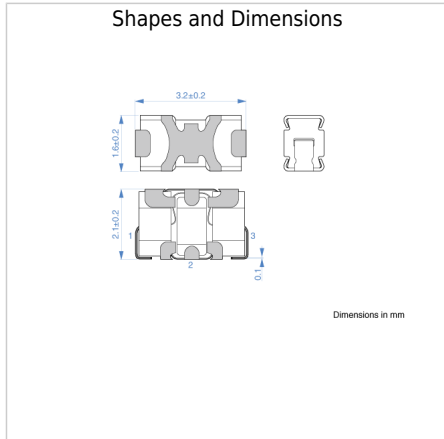
Characteristic Graphs(This is reference data, and does not guarantee the products characteristics.)



! Images are for reference only and show exemplary products.
 ! This PDF document was created based on the data listed on the TDK Corporation website.
 ! All specifications are subject to change without notice.



Associated Images



! Images are for reference only and show exemplary products.
 ! This PDF document was created based on the data listed on the TDK Corporation website.
 ! All specifications are subject to change without notice.