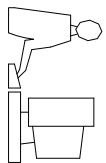
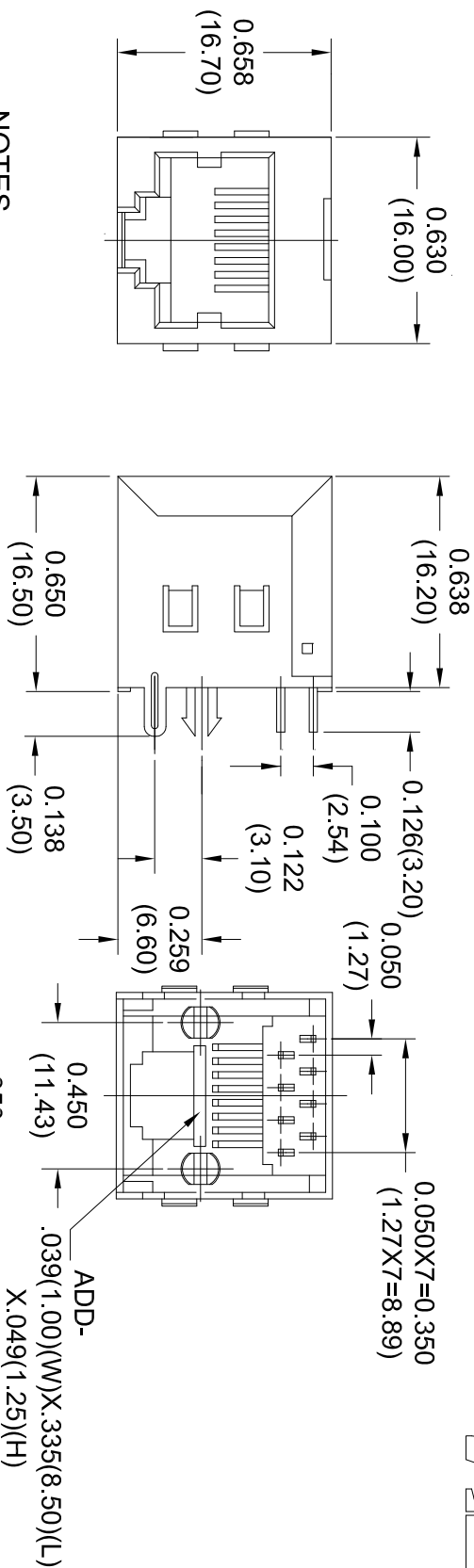


THIS IS A C.A.D. GENERATED DRAWING
DO NOT MAKE MANUAL REVISIONS TO MASTER.



ISSUE NUMBER
ORIGINAL

1

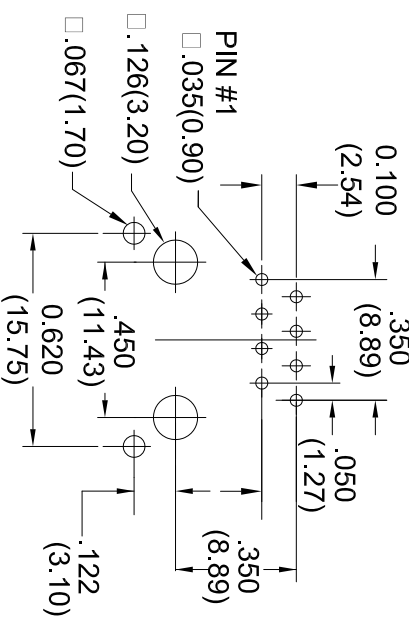


NOTES
MATERIAL AND FINISH:
BODY: HOUSING: PBT POLYESTER
UL94V-0 RATED, MIXED GLASS FIBER.
STANDARD COLOR: BLACK
CONTACTS: PHOSPHOR BRONZE
±(0.35mm)
FINISH: GOLD PLATING
SHIELD: 0.25mm THICK COPPER ALLOY
NICKEL PLATED

CAVITY CONFORMS TO FCC RULES &
REGULATIONS PART 68, SUBPART F

A00-108-222-450 GOLD FLASH
A00-108-322-450 15 MICRONS OF GOLD
A00-108-622-450 30 MICRONS OF GOLD
A00-108-922-450 50 MICRONS OF GOLD

P.C BOARD LAYOUT, COMPONENT SIDE SHOWN
BOARD THICKNESS: 0.062(1.57)

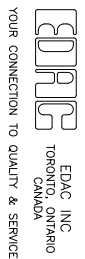


SHIELDED RJ45

TOP ENTRY P.C.B MODULAR JACK

TOLERANCE UNLESS NOTED

.00 mm ± 0.15
.000 inch ± .006



ARE THE PROPERTY OF EDAC INC. AND SHALL NOT BE REPRODUCED OR COPIED OR USED AS THE BASIS FOR THE MANUFACTURE OR SALE OF APPARATUS WITHOUT WRITTEN PERMISSION.

ACAD REF. DWG.:	A00-108-222-450
DRAWN: F.JAWDI	DATE: FEB. 11/03
CHECKED:	DATE:
SCALE: 1:1	SHEET 1 OF 1
DRAWING NUMBER	ISSUE
A00-108-222-450	3



THIS SERIES FULLY CONFORMS TO THE EUROPEAN UNION DIRECTIVES 2002/95/EC AND 2002/96/EC FOR RoHS COMPLIANCY.