

CM2021Y330R-10

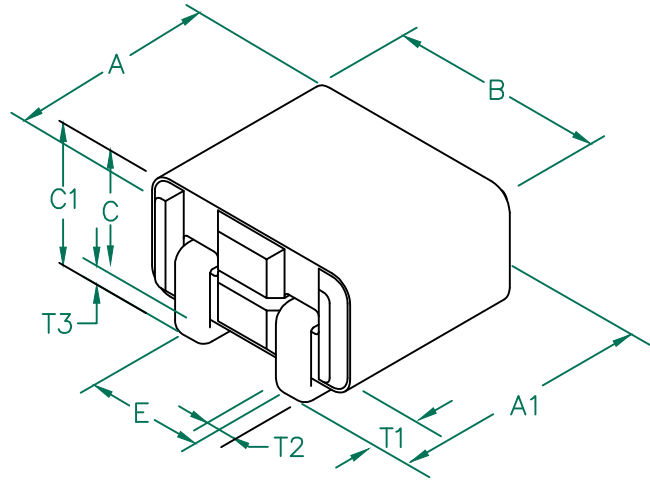
PHYSICAL DIMENSIONS:

A	5.00 [.197]	± 0.15 [.006]
A1	5.88 [.231]	MAX.
B	5.60 [.220]	± 0.10 [.004]
C	2.85 [.112]	± 0.07 [.003]
C1	3.80 [.150]	MAX
E	2.84 [.112]	± 0.10 [.004]

WIRE DIMENSIONS:

T1	1.75 [.069]	± 0.13 [.005]
T2	0.81 [.032]	REF.
T3	0.43 [.017]	REF.
T4	0.86 [.034]	MAX.

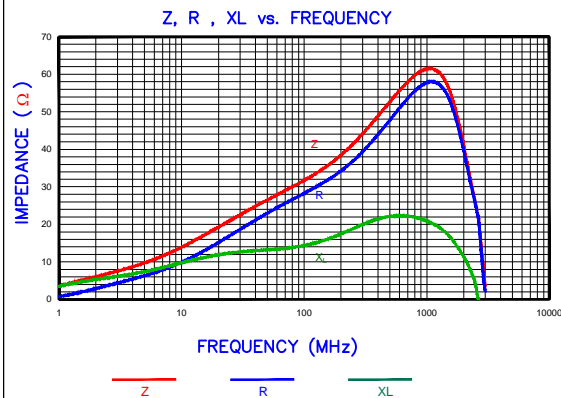
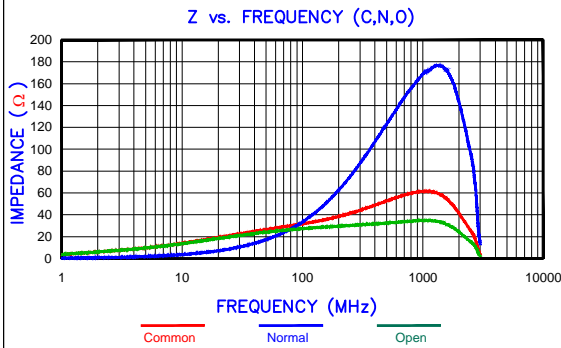
RoHS



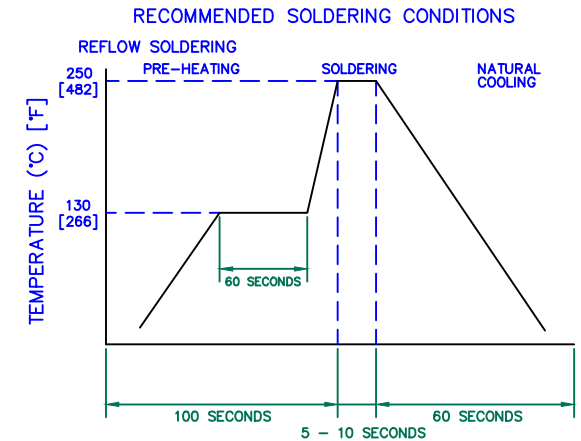
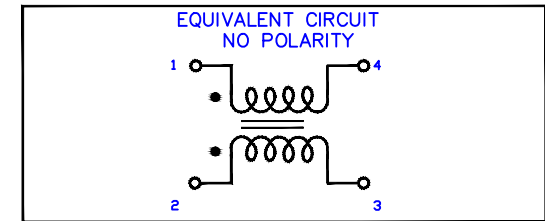
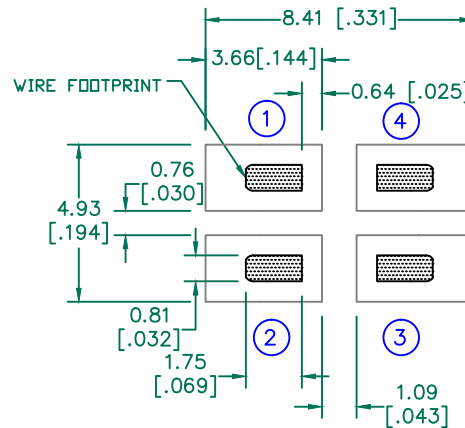
	Z in (Ω)			DCR (Ω)	Rated Current (Continuous)	Rated Voltage (VDC)
	● 25 MHz	● 100 MHz	● 300 MHz			
Nominal (Ref.)	20	33	36			
Minimum	-	25	-			
Maximum	-	-	-	.00075	15,000 mA	280

NOTES: UNLESS OTHERWISE SPECIFIED

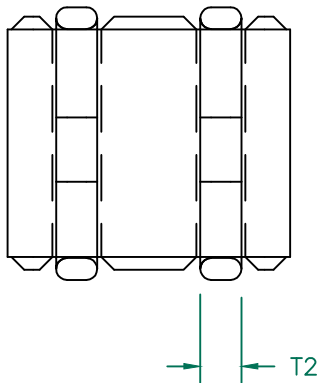
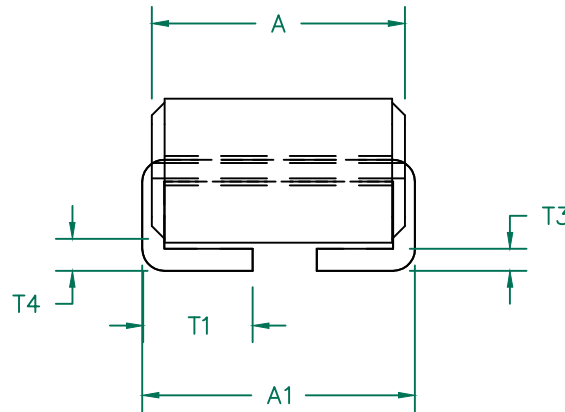
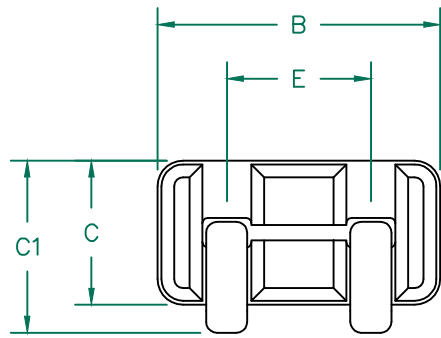
1. TAPED AND REELED per CURRENT EIA SPECIFICATIONS, 13" REELS, 2000 PCS PER REEL
2. COMPONENTS SHOULD BE ADEQUATELY PREHEATED BEFORE SOLDERING.
3. REF.CARRIER TAPE SPECIFICATION – CART2021-1P
4. THIS PART HAS NO PIN POLARITY.
5. TERMINATION FINISH IS 100% TIN.
6. OPERATION TEMPERATURE (INCLUDING SELF-HEATING): -40 ~ +125°C.



LAND PATTERNS FOR REFLOW SOLDERING



DIMENSIONS ARE IN mm [INCHES].				This print is the property of Laird Tech. and is loaned in confidence subject to return upon request and with the understanding that no copies shall be made without the written consent of Laird Tech. All rights to design or invention are reserved.		Laird	
J	CHANGE NOTE 3	12/11/14	QIU	REV	J	PART TYPE: ASSEMBLY	DRAM BY: JRK
H	ADD RATED VOLTAGE AND NOTE 6	06/24/13	JRK	PROJECT/PART NUMBER:	CM2021Y330R-10		
G	UPDATE COMPANY LOGO	04/28/09	JRK	DATE:	07/27/05	SCALE:	7 : 1
F	CHANGE CORE P/N ON SHEET 3	11/13/07	JRK	CAD #	CM2021Y330R-10-J-1	TOOL #	H0220
E	UPDATE COMPANY LOGO	05/17/07	JRK	SHEET: 1 of 2			
D	INTERCHANGE DIMENSIONS A,B&C	03/30/06	JRK				
REV	DESCRIPTION	DATE	INT				



ELECTRICAL TESTING

TEST:	Z	Z	Z
# TURNS	1	1	1
AWG	-	-	-
FREQUENCY	25 MHz	100 MHz	300 MHz
NOMINAL (REF.)	20 Ω	33 Ω	36 Ω
MINIMUM	- Ω	25 Ω	- Ω

CORE WEIGHT/1000 .333 kgs. .736 Lbs.



DIMENSIONS:

A	5.00 [.197]	±	0.15 [.006]
A1	5.88 [.231]		MAX.
B	5.60 [.220]	±	0.10 [.004]
C	2.85 [.112]	±	0.07 [.003]
C1	3.80 [.150]	±	MAX
E	2.84 [.112]	±	0.10 [.004]

WIRE DIMENSIONS:

T ₁	1.75 [.069]	+	0.13 [.005]
T ₂	0.81 [.032]	+	REF.
T ₃	0.43 [.017]	+	REF.
T ₄	0.86 [.034]	+	MAX.

NOTES: UNLESS OTHERWISE SPECIFIED

1. IMPEDANCE VALUES ARE GROSS, MEASURED USING W0021-01 WIRE w/ NO D.C. BIAS.
2. REFERENCE STEWARD WIRE PURCHASE SPEC. W0021-01.
3. REFERENCE STEWARD CORE P/N 24H0220-000.
4. TERMINATION FINISH IS 100% TIN.

DIMENSIONS ARE IN mm [INCHES].				This print is the property of Laird Tech. and is loaned in confidence subject to return upon request and with the understanding that no copies shall be made without the written consent of Laird Tech. All rights to design or invention are reserved.				
J	CHANGE NOTE 1 & 3	12/11/14	QIU	PROJECT/PART NUMBER:		REV	PART TYPE:	DRAWN BY:
H	ADD RATED VOLTAGE AND NOTE 6	06/24/13	QIU	CM2021Y330R-10		J	ASSEMBLY	JRK
G	UPDATE COMPANY LOGO	04/28/09	JRK	DATE:	07/27/05	SCALE:	7 : 1	SHEET:
F	CHANGE CORE P/N ON SHEET 3	11/13/07	JRK	CAD #	CM2021Y330R-10-J-2	TOOL #	H0220	2 of 2
E	UPDATE COMPANY LOGO	05/17/07	JRK	REV				
D	INTERCHANGE DIMENSIONS A,B&C	03/30/06	JRK					
REV	DESCRIPTION	DATE	INT					