

Applications

- GSM / EDGE / WEDGE
- WCDMA B1 / 8 or B1 / 5
- WCDMA B1 / 5 / 8 (w/ External Switch)
- HSDPA / HSUPA / HSPA+
- LTE / EVDO Rev A / B B1&B5

Product Features

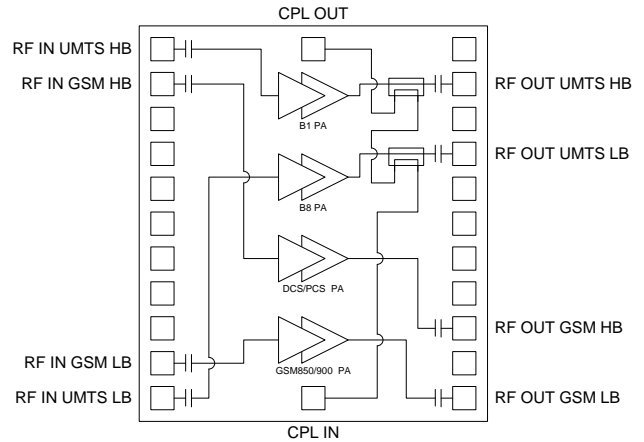
- Quad-Band Linear GSM / EDGE
- UMTS B1 and B5 / 8
- Input Power Controlled – GMSK and 8PSK
- GSM LB Has 2 Modes – HP, LP
- GSM HB Has 2 Modes – HP, LP
- W/CDMA Has 2 Modes – HP, MP
- HBT / PHEMT / CuFlip® PA Technology
- Integrated Coupler
- Built-In Voltage Regulator
- 50 Ω Input and Output Impedance
- Lead-free 260 °C / RoHS / Halogen-free
- 24 Pin 5 x 7.5 x 0.89 mm Package

General Description

The TQM7M9053 is a fully matched multimode multiband Power Amplifier Module that supports Quad-band GSM/EDGE Linear, W/CDMA & LTE Band 1, and low band WCDMA/LTE (externally tuned for either Band 5 or Band 8). The GSM PA output power is controlled by the input power coming from the transceiver in both GMSK and 8PSK modes.

The 2-Gain state WCDMA PA operates in HPM and MPM to maximize talk time over the entire range of operating conditions. It also includes a coupler and built-in regulator, ideal for today's extremely small data enabled phones. The TQM7M9053 is designed on TriQuint's GaAs HBT technology with CuFlip® assembly offering state of the art reliability, temperature stability and ruggedness. Its RF performance meets the stringent linearity requirements for multi-mode operation.

Functional Block Diagram



Ordering Information

Part No.	Description
TQM7M9053	QB EDGE+ Tri-Band WCDMA MM P

Standard T/R size = 2500 pieces on a 7" reel