

THIS DRAWING IS UNPUBLISHED. RELEASED FOR PUBLICATION 20
 © COPYRIGHT 20 BY - ALL RIGHTS RESERVED.

REVISIONS				
P	LTR	DESCRIPTION	DATE	APVD
D2		RE-ACTIVATED PER ECO-17-009872	06JUL2017	DD AL

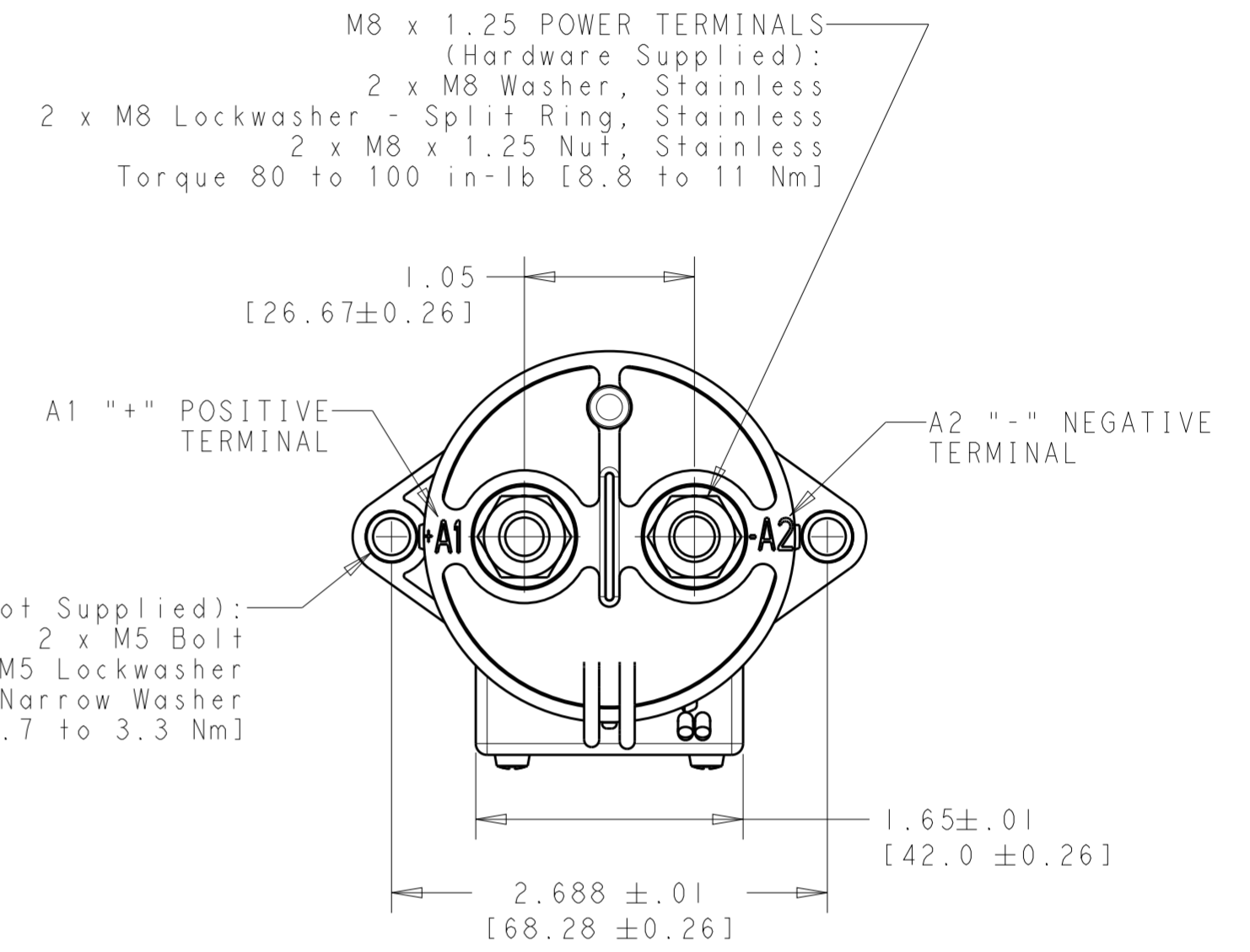
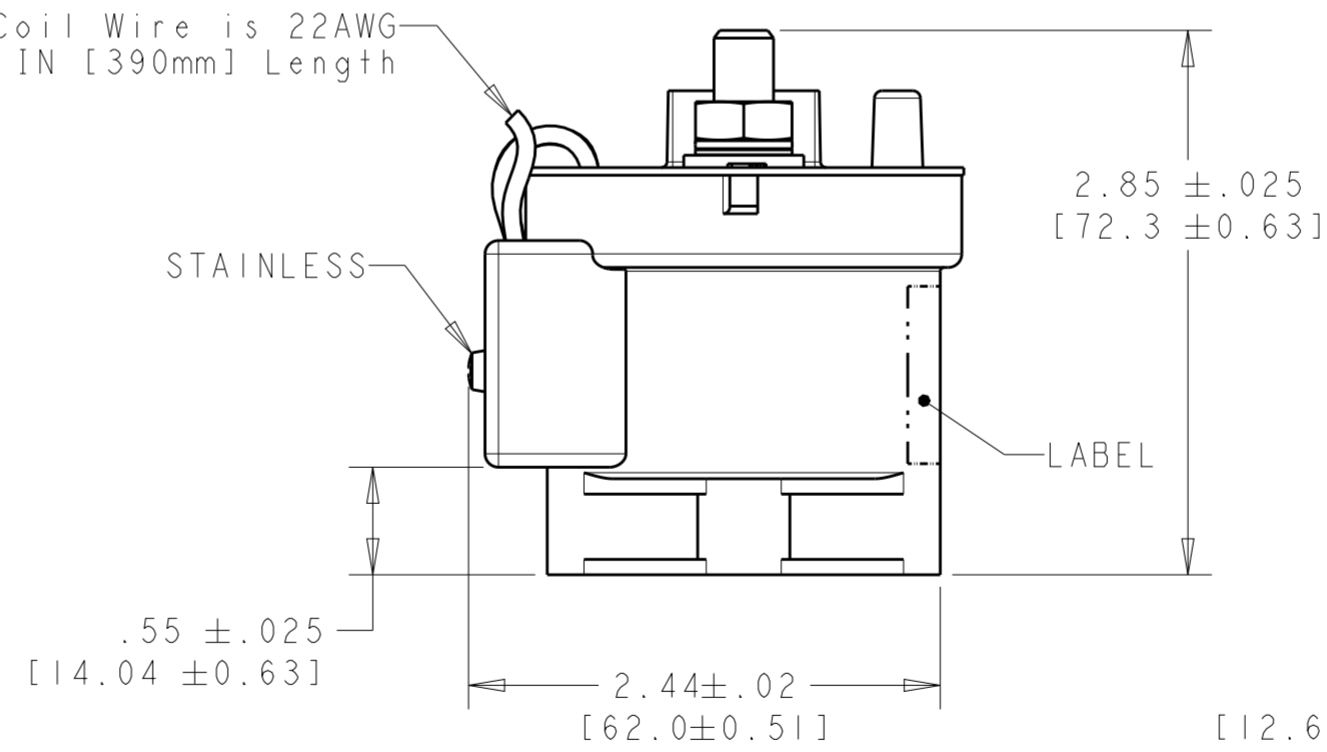
PERFORMANCE DATA

PARAMETERS	UNITS	VALUE FOR EV200 SERIES
Contact Arrangement: Power Contacts		1 Form X (SPST-NO-DM)
Rated Operating Voltage	Vdc	100 - 900
(NOTE: Voltages between 450 to 900 Vdc are capable but load dependent and require TE Engineering approval)		
Continuous (Carry) Current, Typical	A	500 @ 65°C, 400 mcm conductors
Consult factory for required conductors for higher (500+ A) currents		
Break Current at 320 Vdc	A	2,000, 1 cycle
Contact Resistance, Typical (@ 200A)	mohms	0.2
Load Life	Cycles	See Chart
Mechanical Life	Cycles	1,000,000
Operate Time @ 25°C		
Close (includes bounce), Typical	ms	15
Bounce (after close only), Max	ms	7
Release (includes arcing), Max @ 2000A	ms	12
Dielectric Withstand Voltage	Vrms	2,200 @ sea level (leakage < 1 mA)
Insulation Resistance @ 500 Vdc	megohms	100 (50 at end of life)
Shock, 11ms 1/2 sine, peak, operating	G	20
Vibration, sine, 80 - 200 Hz, peak	G	20
Operating Ambient Temperature	°C	-40° to +85°
Weight (Nominal)	lb [kg]	.95 [0.43]

COIL DATA

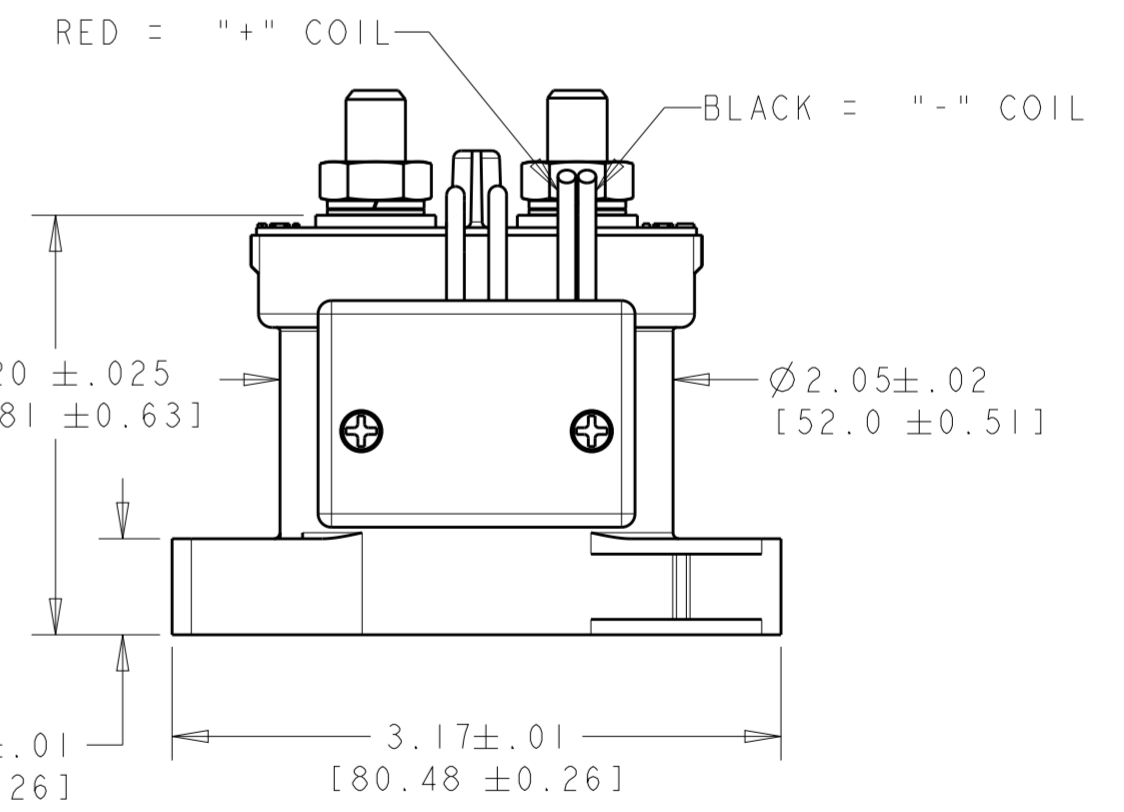
Voltage (will operate)	9 - 36 Vdc
Voltage (Max)	36 Vdc
Pickup (close) Voltage (Max)	9 Vdc
Hold Voltage (Min)	7.5 Vdc
Dropout (open) Voltage (Min)	6 Vdc
Inrush Current (Max)	3.8A
Holding Current (Avg)	0.13A @ 12V
Inrush Time (Max)	130 ms

Coil Wire is 22AWG with 15.3 IN [390mm] Length



M8 x 1.25 POWER TERMINALS (Hardware Supplied):
 2 x M8 Washer, Stainless
 2 x M8 Lockwasher - Split Ring, Stainless
 2 x M8 x 1.25 Nut, Stainless
 Torque 80 to 100 in-lb [8.8 to 11 Nm]

Mounting Hardware (Not Supplied):
 2 x M5 Bolt
 2 x M5 Lockwasher
 2 x M5 Narrow Washer
 Torque 15 to 30 in-lb [1.7 to 3.3 Nm]



2098190-1
PART NUMBER

1. TO AVOID OVERHEATING, THE COIL ABOVE SHOULD NOT BE LEFT ON AT FULL POWER (12V) FOR A LONG PERIOD OF TIME.
2. THE MINIMUM HOLD CURRENT OF 650mA (MENTIONED ABOVE) ONLY PRODUCES A T-RISE OF 20°C (MAX).
3. FOR ANY OTHER INFORMATION, PLEASE REFER TO THE EV200 GENERAL CUSTOMER DATASHEET.

THIS DRAWING IS A CONTROLLED DOCUMENT.		DWN A LEE 25MAY2010	TE Connectivity															
DIMENSIONS: INCHES		CHK A LEE 25MAY2010																
TOLERANCES UNLESS OTHERWISE SPECIFIED:		APVD A LEE 25MAY2010	NAME RELAY, EVC500 SPST-NO 12V															
<table border="1"> <tr><td>0 PLC</td><td>±</td></tr> <tr><td>1 PLC</td><td>±.01</td></tr> <tr><td>2 PLC</td><td>±.005</td></tr> <tr><td>3 PLC</td><td>±.005</td></tr> <tr><td>4 PLC</td><td>±.005</td></tr> <tr><td>ANGLES</td><td>±1°</td></tr> <tr><td>FINISH</td><td>-</td></tr> </table>		0 PLC	±	1 PLC	±.01	2 PLC	±.005	3 PLC	±.005	4 PLC	±.005	ANGLES	±1°	FINISH	-	PRODUCT SPEC -	SIZE A200779	
0 PLC	±																	
1 PLC	±.01																	
2 PLC	±.005																	
3 PLC	±.005																	
4 PLC	±.005																	
ANGLES	±1°																	
FINISH	-																	
MATERIAL -		APPLICATION SPEC -	DRAWING NO C-2098190-1															
-		WEIGHT -	RESTRICTED TO -															
-		CUSTOMER DRAWING	SCALE 1:1 SHEET 1 OF 1 REV D2															