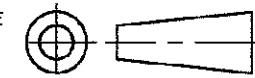


DO NOT SCALE
DIMENSIONS IN mm

METRIC

THIRD ANGLE
PROJECTION



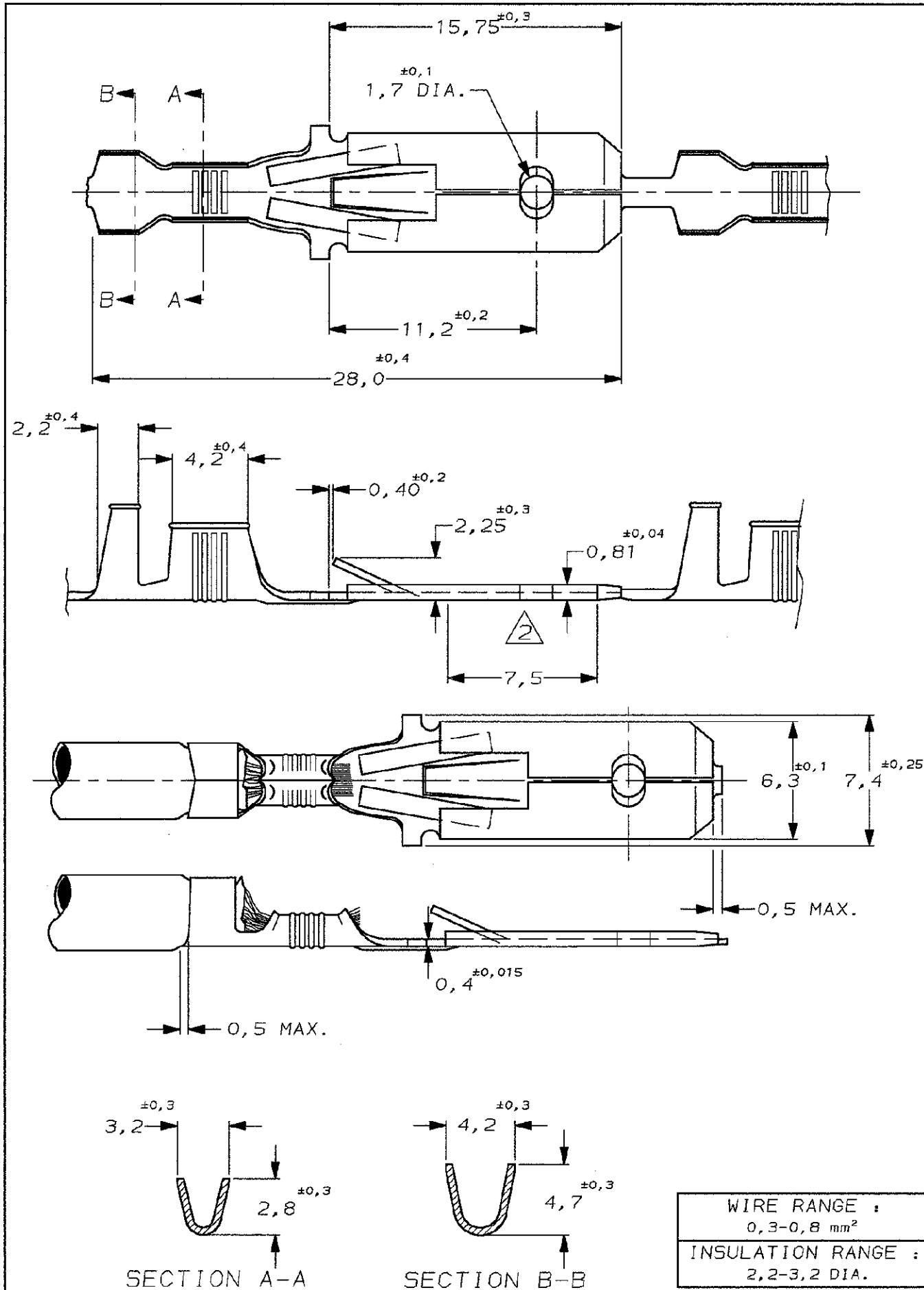
NOTES:

1 FOR USE ON MINIATURE APPLICATORS (LEFT-RIGHT FEED)
AMP-O-MATOR APPLICATION.

2 DIM 0,81^{±0,04} TO BE MEASURED OVER A LENGTH 7,5mm
AS INDICATED

3 OBSOLETE PARTS: OBSOLETE CIS STREAMLINING PER D.RENAUD/D.SINISI

UNPUBLISHED DRAWING : AMP RIGHTS RESERVED
This drawing is supplied to.....
.....for use by
.....
or its nominated suppliers for the purpose
of inspecting AMP-PRODUCTS.
AMP-HOLLAND B.V.
DATE.....
SIGNATURE.....



3 OBSOLETE		FINISH	MATERIAL	PARTNUMBER
		UNPLATED	PH. BRONZE	160645-3
		TINPLATED	BRASS	160645-2
		UNPLATED	BRASS	160645-1
RESTRICTED CUSTOMER FOR REFERENCE ONLY WILL NOT BE UPDATED				
© COPYRIGHT 19- BY AMP HOLLAND B.V. ALL INTERNATIONAL RIGHTS RESERVED. AMP PRODUCTS MAY BE COVERED BY U.S. AND FOREIGN AND/OR PATENTS PENDING. THIS DRAWING IS UNPUBLISHED RELEASED FOR PUBLICATION				
01 REV PER ECO-10-000444		KK	AEG	09JAN10
0 EH-0933-97		D.K.	R.V.	27 AUG 97
LTR. REVISION RECORD		DR.	CHK.	DATE
DR.: D. KESSLER		CHK.: R. VOS	APP.: -	DWG.No.
DATE: 27 AUG 97		DATE: -	DATE: -	C-160645
		REV.LTR.	SHEET	
		01	1 OF 1	A3