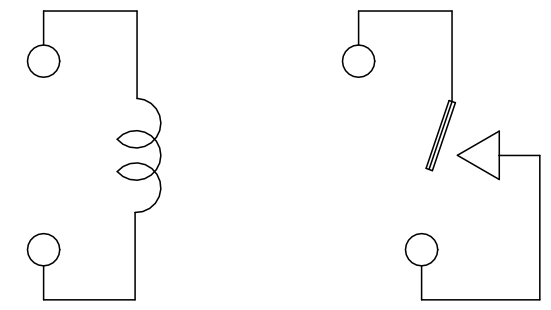
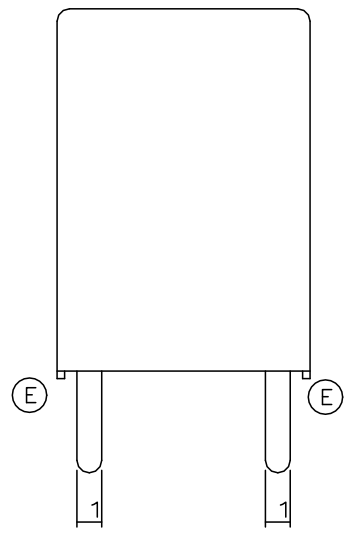
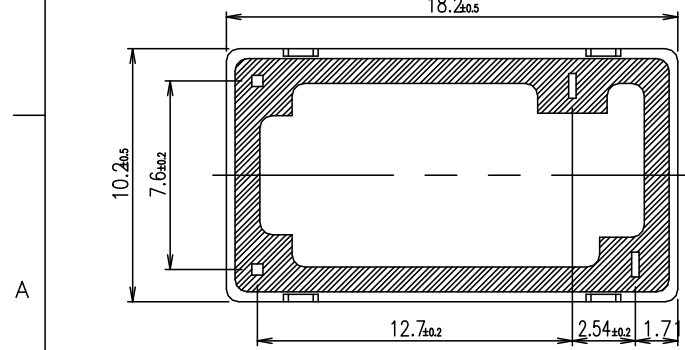
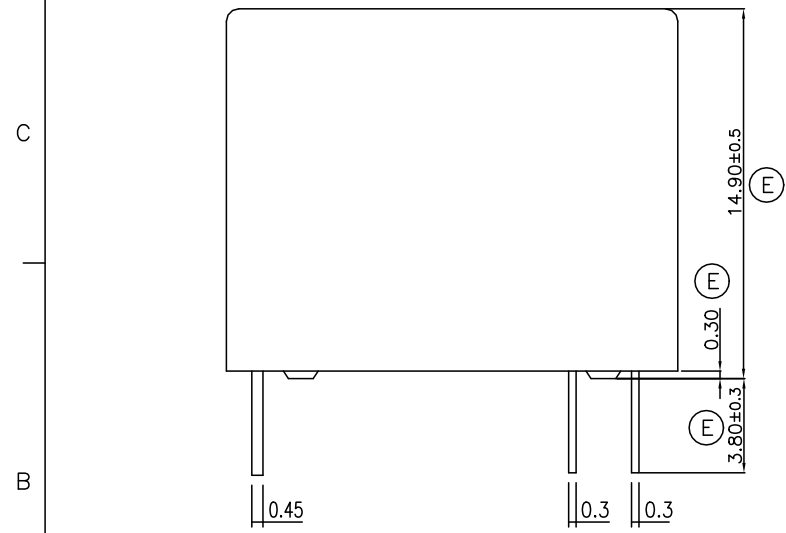
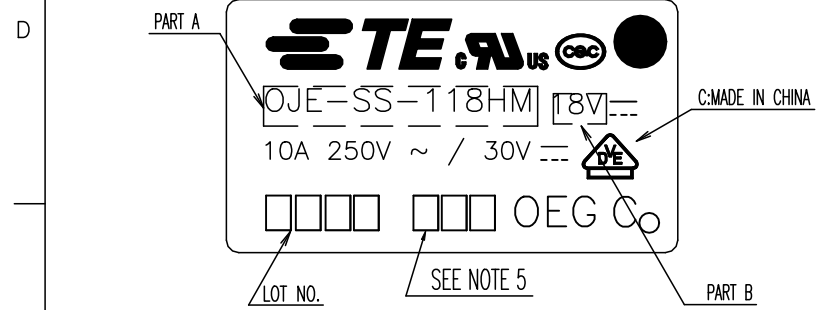


THIS DRAWING IS UNPUBLISHED. RELEASED FOR PUBLICATION
 © COPYRIGHT - By - TE CONNECTIVITY ALL RIGHTS RESERVED.

LOC		DIST		REVISIONS			
P	LTR	DESCRIPTION	DATE	DWN	APVD		
HB	-						
	E1	ADDED TUBE PACKAGE P/N 1461405-8, ECO-20-008189	17JUN2020	WQ.Y	K.T		



CONNECTION FIGURE

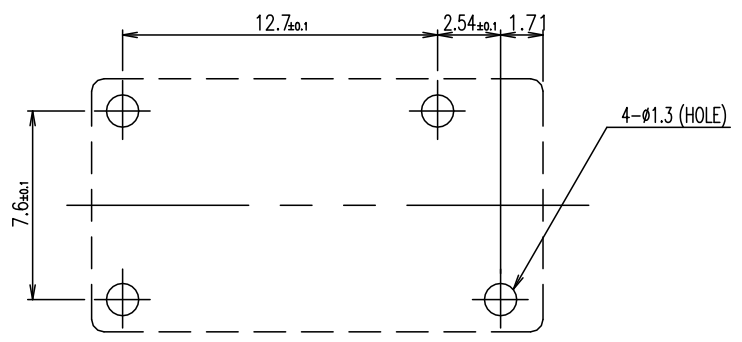


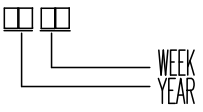
FIGURE FOR PRINTED CIRCUIT BOARD PROCESSING (BOTTOM VIEW)

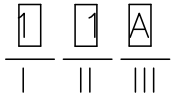
THIS DRAWING IS A CONTROLLED DOCUMENT.		DWN	H.Sasaki			
DIMENSIONS: mm		CHK	Y.Oikawa	OJ-SH-HM SPEC,000 CUSTOMER DRAWING		
TOLERANCES UNLESS OTHERWISE SPECIFIED:		APVD	A.Nagai	NAME		
0 PLC ±- 1 PLC ±- 2 PLC ±- 3 PLC ±- 4 PLC ±- ANGLES ±-		PRODUCT SPEC	-	SIZE		
MATERIAL		APPLICATION SPEC	-	CAGE CODE	DRAWING NO	RESTRICTED TO
FINISH		WEIGHT	-	A3	00779	C= 1461405
CUSTOMER DRAWING				SCALE	SHEET	REV
				5:1	1 of 2	E1

THIS DRAWING IS UNPUBLISHED. RELEASED FOR PUBLICATION
 © COPYRIGHT - By - TE CONNECTIVITY ALL RIGHTS RESERVED.

Loc	DIST	REVISIONS			
P	LTR	DESCRIPTION	DATE	DWN	APVD
HB	-	SEE SHEET 1	-	-	-

PART NO	DESCRIPTION	PACKAGE SPEC.	PART B	PART A	TYPE
1461405-8	OJ-SH-112HM,000T0	107-84030	12V	OJ-SH-112HM	h
1461405-4	OJ-SH-148HM, 000	107-79010	48V	OJ-SH-148HM	g
1461405-6	OJ-SH-124HM, 000	107-79010	24V	OJ-SH-124HM	f
1461405-5	OJ-SH-112HM, 000	107-79010	12V	OJ-SH-112HM	e
1461405-2	OJ-SH-109HM, 000	107-79010	9V	OJ-SH-109HM	d
1461405-1	OJ-SH-106HM, 000	107-79010	6V	OJ-SH-106HM	c
1461405-3	OJ-SH-105HM, 000	107-79010	5V	OJ-SH-105HM	b
1461405-7	OJ-SH-103HM, 000	107-79010	3V	OJ-SH-103HM	a

NOTES:
 1.LOT NO. SYSTEM AS FOLLOWING:

 2.TERMINAL DIMENSION IS BEFORE SOLDER DIP;
 3.FOR THE TIN-PLATING OF THE PINS:
 +0.1mm FOR WIDTH, THICKNESS AND DIAMETER.
 +0.5mm FOR LENGTH.
 4.MARKING FROM INK TO LASER AND WELDED CONTACT



5.ADD LOT NO. SYSTEM AS FOLLOWING:
 I, DIGITS FOR DAY OF THE WEEK
 1...MONDAY IN THIS WEEK;
 2...TUESDAY IN THIS WEEK;

 7...SUNDAY IN THIS WEEK
 II, DIGITS FOR SHIFT OF THE DAY
 1...DAY SHIFT IN THIS DAY;
 2...NIGHT SHIFT IN THIS DAY;
 III, ONE CHARACTER DISTINGUISH THE LINE IDENTITY,
 SUCH AS: A,B.....Z

Diagram dimension	Tolerance
0.99mm max.	±0.1mm
1 - 2.99mm	±0.2mm
3mm min.	±0.3mm

RELAY TYPE

RELAY TYPE	UV RESIN	SEAL (VENT HOLE)	ITEM
	EPOXY RESIN	SEAL (BASE & BOBBIN)	15
	3UEW	MAGNETIC WIRE	14
94V-0	P.B.T	CASE	13
94V-0	P.B.T	BASE	12
94V-0	P.B.T	BOBBIN	11
	SOLDER DIP	C.P WIRE	COIL TERMINAL 10
94V-0	P.P.S	CARD	9
	Ag ALLOY	MOVABLE CONTACT	8
	Ag	NO.CONTACT	7
	STEEL	HINGE SPRING	6
	SOLDER DIP	PBP	NO.TERMINAL 5
	SOLDER DIP	Cu ALLOY	MOVABLE SPRING 4
	NIP	STEEL	CORE 3
	NIP	STEEL	ARMATURE 2
	NIP	STEEL	YOKE 1

THIS DRAWING IS A CONTROLLED DOCUMENT.		DWN	H.Sasaki	-												
DIMENSIONS: mm		CHK	Y.Oikawa	-												
TOLERANCES UNLESS OTHERWISE SPECIFIED:		APVD	A.Nagai	-												
<table border="0"> <tr><td>0 PLC</td><td>± -</td></tr> <tr><td>1 PLC</td><td>± -</td></tr> <tr><td>2 PLC</td><td>± -</td></tr> <tr><td>3 PLC</td><td>± -</td></tr> <tr><td>4 PLC</td><td>± -</td></tr> <tr><td>ANGLES</td><td>± -</td></tr> </table>		0 PLC	± -	1 PLC	± -	2 PLC	± -	3 PLC	± -	4 PLC	± -	ANGLES	± -	PRODUCT SPEC	-	
0 PLC	± -															
1 PLC	± -															
2 PLC	± -															
3 PLC	± -															
4 PLC	± -															
ANGLES	± -															
MATERIAL		APPLICATION SPEC	-													
FINISH		WEIGHT	-													
-		SIZE	A3	CAGE CODE												
-		DRAWING NO	1461405	RESTRICTED TO												
-		CUSTOMER DRAWING	SCALE	5:1												
-		SHEET	2 of 2	REV												
-				E1												



OJ-SH-HM SPEC,000 CUSTOMER DRAWING