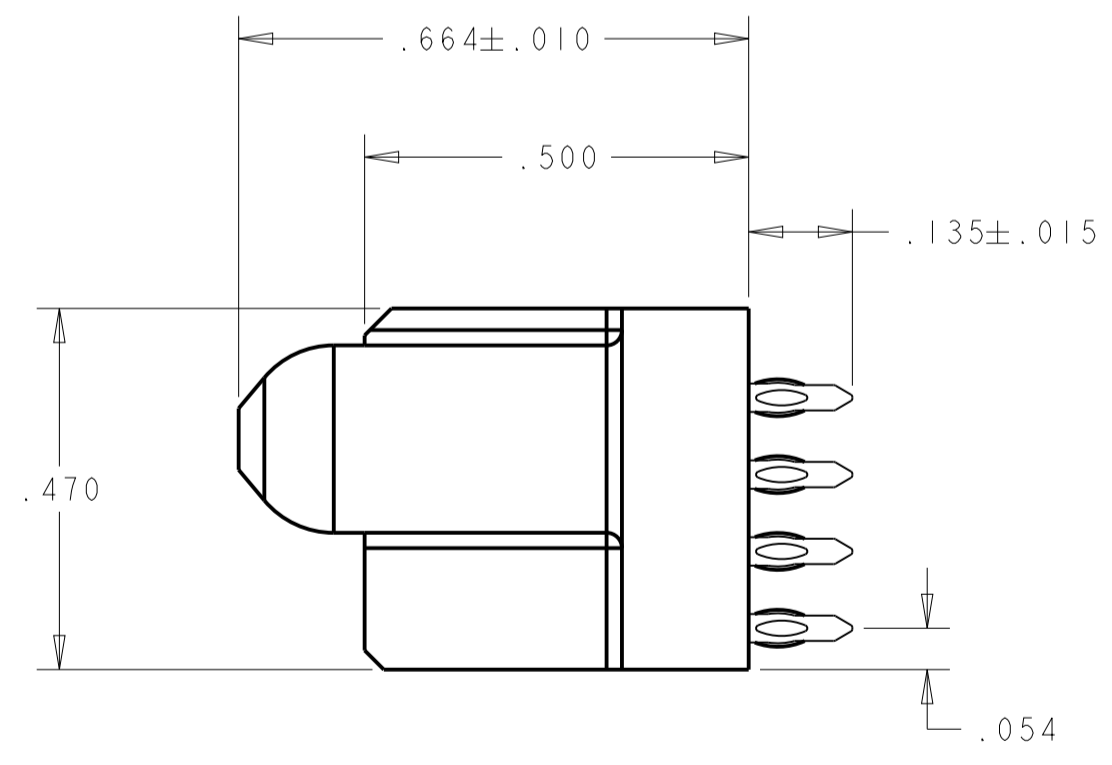
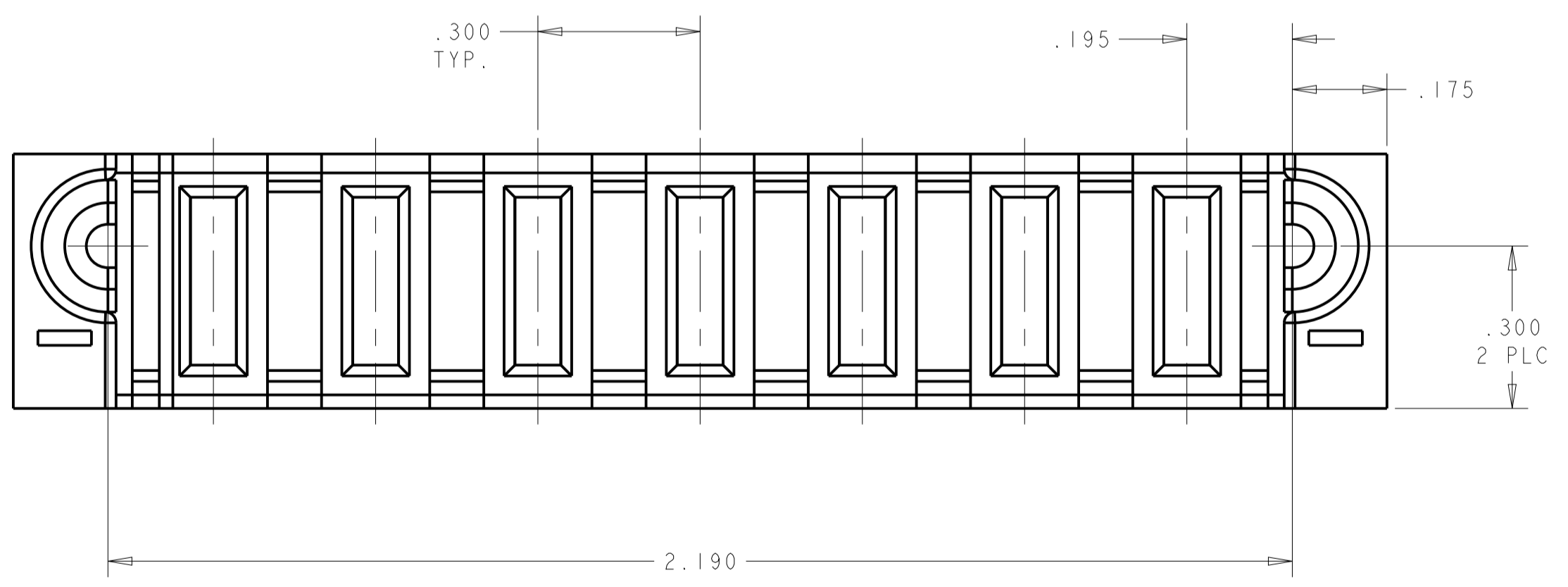
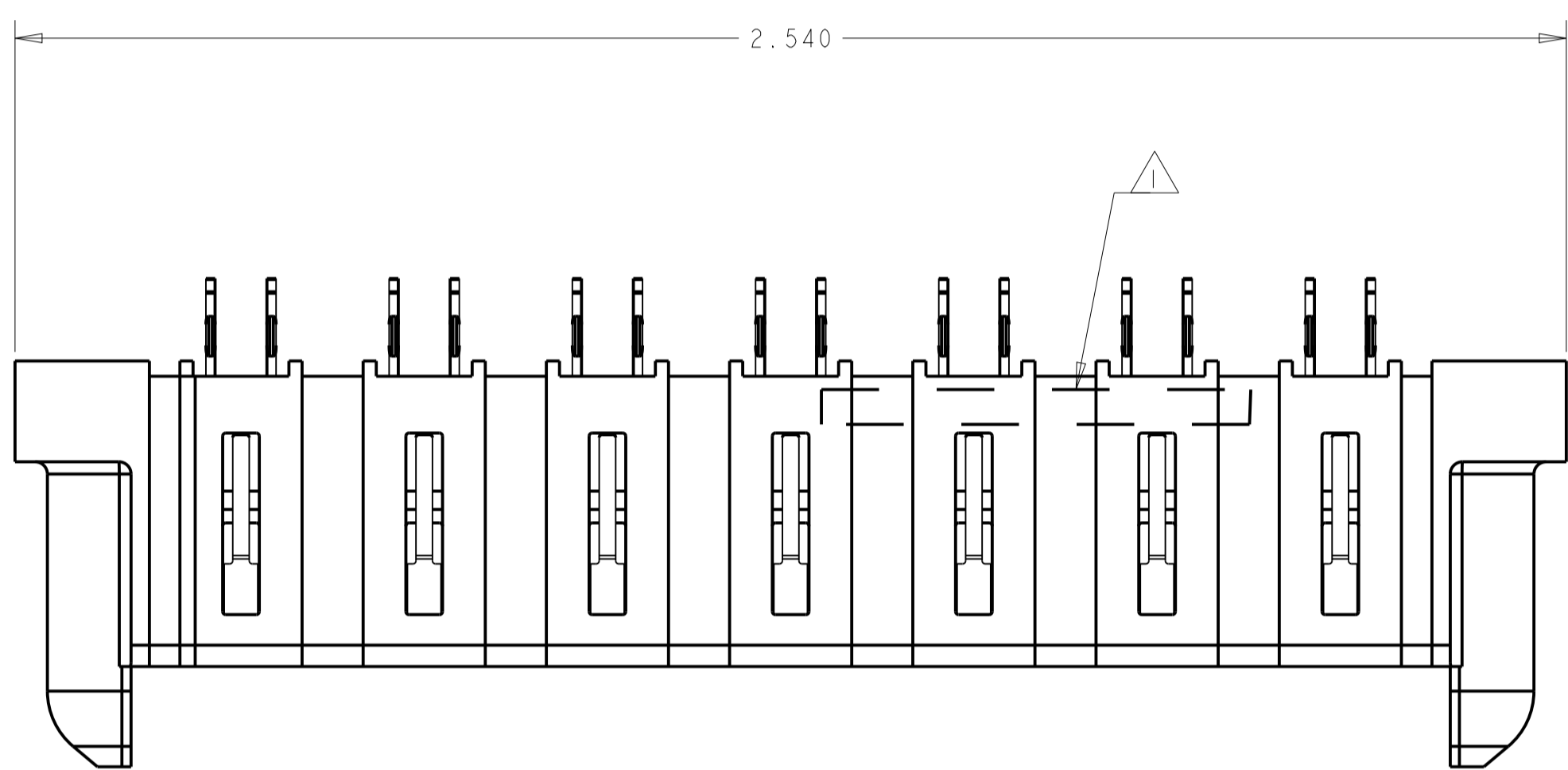
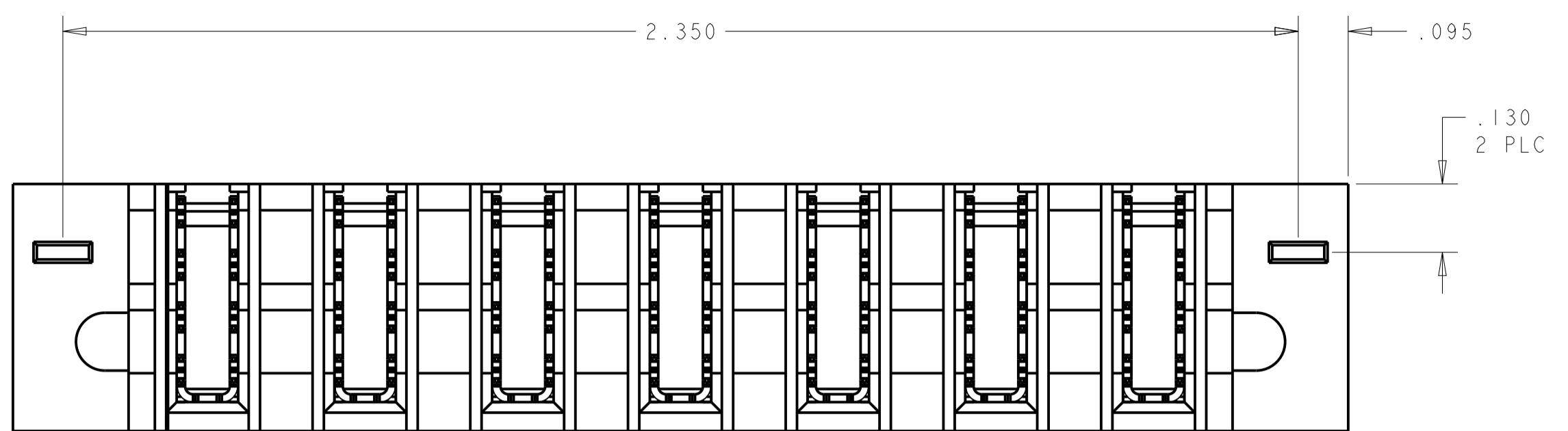


LOC	DIST	REV	DATE	BY	CHK	APVD
ES	00	I	11OCT2014	AL	SZ	



- 1 "AMP", PART NUMBER AND DATE CODE TO BE MARKED IN AREA SHOWN PARTS UNDER 2.00 LONG MAY BE MARKED ON BOTH SIDES
- 2 MATERIAL: HOUSING - GLASS FILLED HIGH TEMP THERMO PLASTIC, UL94 V-0, BLACK.  
 SIGNAL CONTACT - HIGH CONDUCTIVITY COPPER ALLOY  
 POWER CONTACT - HIGH CONDUCTIVITY COPPER ALLOY  
 LP CONTACT - HIGH CONDUCTIVITY COPPER ALLOY
- 3 CONTACT PLATING:  
 SIGNAL CONTACTS - .000050 MIN Ni UNDER ALL.  
 .000030 MIN Au ON CONTACT AREA.  
 .000100 MIN Sn AT PCB INTERFACE.  
 POWER CONTACTS - .000050 MIN Ni UNDER ALL.  
 .000030 MIN Au ON CONTACT AREA.  
 .000100 MIN Sn AT PCB INTERFACE.
- 4 MECHANICAL CONNECTOR KEEP OUT ZONE
- 5 DATUM AND BASIC DIMENSIONS ESTABLISHED BY CUSTOMER
- 6 PCB - ALL HOLE DIAMETERS ARE FINISHED HOLE SIZES
- 7 PCB - 0.0453 ±.0010 DRILLED HOLES PLATED WITH .0003 MIN Sn OVER .001 TO .003 Cu PLATING TO ACHIEVE A .040 ±.030 HOLE
- 8 VARIABLE DIMENSIONS SHOW ON TABLE.
- 9 PLEASE REFER TO PART VIEW FOR DETAIL DIMENSIONS.
- 10 NOT RELEASED FOR PRODUCTION.

7ACP	6450863-5
DESCRIPTION	PART NUMBER

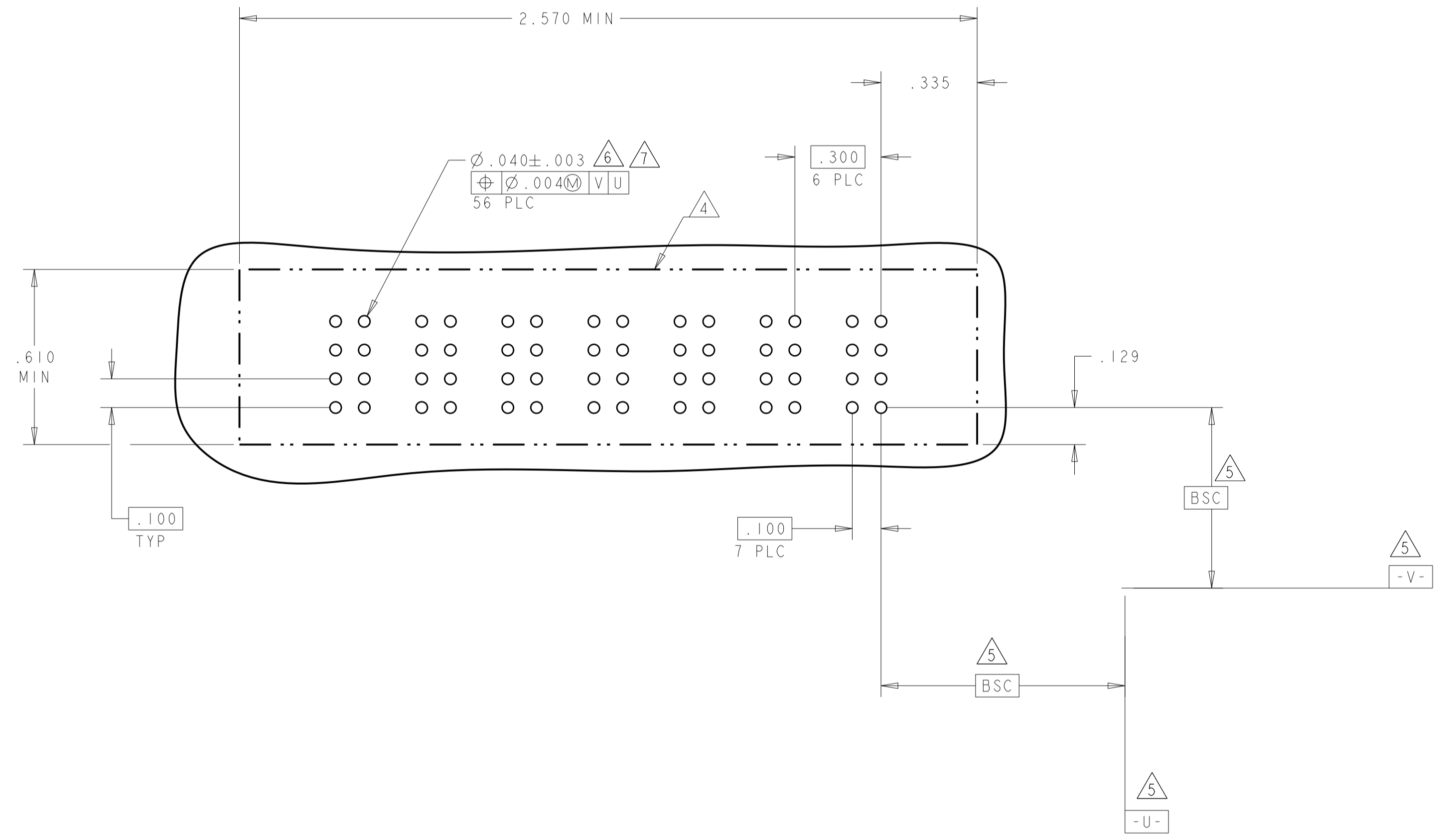
THIS DRAWING IS A CONTROLLED DOCUMENT.		OWN: H. LIU 12JUN2008	
DIMENSIONS: INCHES		CHK: S. ZHAO 12JUN2008	
TOLERANCES UNLESS OTHERWISE SPECIFIED:		APVD: S. YAO	NAME: VER RECEP ASSEMBLY SHROT GUIDES, PRESS FIT MULTI-BEAM XLE
0 PLC ±	1 PLC ±.01	PRODUCT SPEC: 108-2292	SIZE: A1
2 PLC ±.01	3 PLC ±.005	APPLICATION SPEC: 114-13038	CAGE CODE: 6450863-5
4 PLC ±.0020	ANGLES ±.020	WEIGHT: -	RESTRICTED TO: -
MATERIAL: 6	FINISH: 7	Customer Drawing	SCALE: N/A SHEET 1 OF 2 REV 1

LOC	DIST	REV	DATE	BY	CHK	APPV
ES	00					

REVISIONS						
REV	DATE	DESCRIPTION	BY	CHK	APPV	DATE
-	-	SEE SHEET 1	-	-	-	-

PART NUMBER	ROWS	POWER						
		P7	P6	P5	P4	P3	P2	P1
6450863-5	D C B A	GS	GS	GS	GS	GS	GS	GS
7ACP								



CODE	DESCRIPTION
LSI	STD LOW POWER PRESS FIT, .135 TAIL LENGTH
GP	MFBL POWER PRESS FIT, .135 TAIL LENGTH.
GS	STD POWER PRESS FIT, .135 TAIL LENGTH.

CONTACT TABLE

THIS DRAWING IS A CONTROLLED DOCUMENT.		DWN H. LIU 12JUN2008	 TE Connectivity
DIMENSIONS: INCHES		CHK S. ZHAO 12JUN2008	
		APV S. YAO	NAME VER RECEPTOR ASSEMBLY SHROT GUIDES, PRESS FIT MULTI-BEAM XLE
TOLERANCES UNLESS OTHERWISE SPECIFIED:		PRODUCT SPEC 108-2292	SIZE A100779
0 PLG ± 2 PLG ±.01 3 PLG ±.01 4 PLG ±.0020 ANGLES ±.020		APPLICATION SPEC 114-13038	DRAWING NO C=6450863-5
MATERIAL		WEIGHT	RESTRICTED TO
FINISH		Customer Drawing	SCALE N/A SHEET 2 OF 2 REV 1