

Product / Process Change Notification (PCN)

- Major change
 Minor change

PCN #: PCN_IndCMBH_20191213
Affected Series: WE-CMBH-Series; 744834xxx

PCN Date: September 13, 2019
Effective Date: December 13, 2019

Change Category:

- Equipment / Location
 General Data
 Material
 Process
 Product Design
 Shipping / Packaging
 Supplier
 Software

Contact: Product Management
Phone: +49 (0) 7942 - 945 5001
Fax: +49 (0) 7942 - 945 5179
E-Mail: pcn.eisos@we-online.com

Data Sheet Change:

- Yes No

Attachment:

- Yes No

DESCRIPTION AND PURPOSE OF CHANGE:

In line with internal standardisation, Würth Elektronik will implement new measurement method for attenuation and impedance measurements. We also will update recommended land pattern and add new graphs in data sheet for the whole CMBH series.

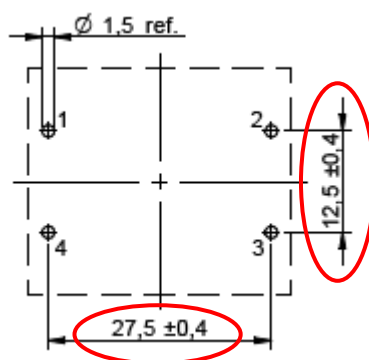
All products with date code 2019-12-13 or later, will be affected by this change.

There will be no change in form, function, quality or reliability of the product.

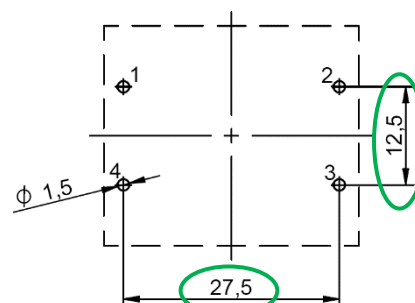
DETAIL OF CHANGE:

- Update of recommended land pattern: We renounce our statement for tolerance:

Before change

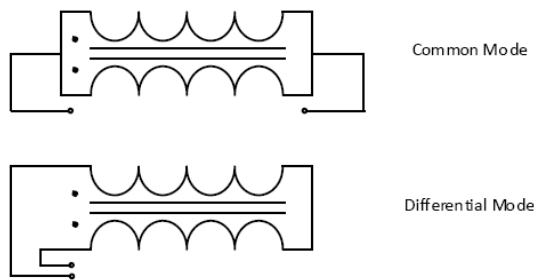


After change

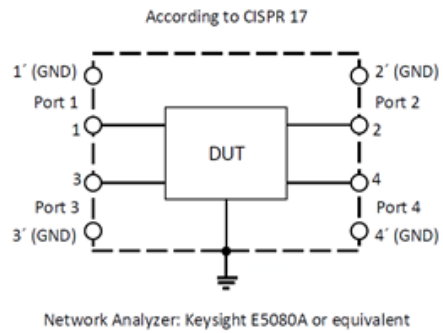


2. Change the test setup for attenuation measurement:

Before change
(2-port)

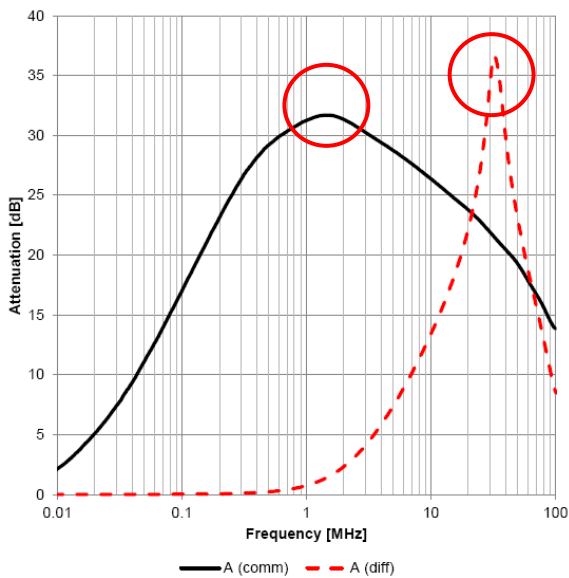


After change
(4-port)

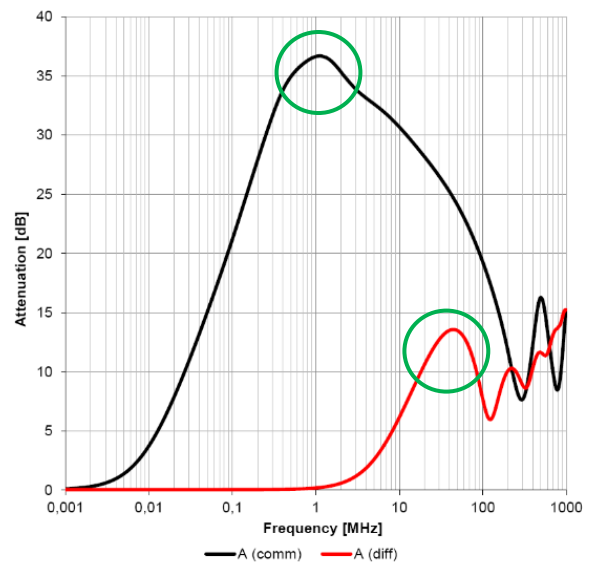


3. Update the attenuation graph (Example 744834101):

Before change



After change



Würth Elektronik eiSos GmbH & Co. KG

EMC & Inductive Solutions

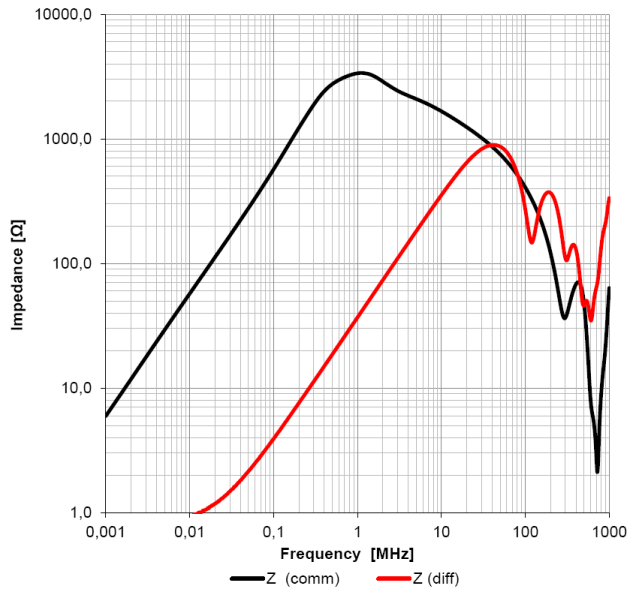
Max-Eyth-Straße 1 · 74638 Waldenburg · Germany

Tel. +49 (0) 79 42 945-0 · Fax +49 (0) 79 42 945-400

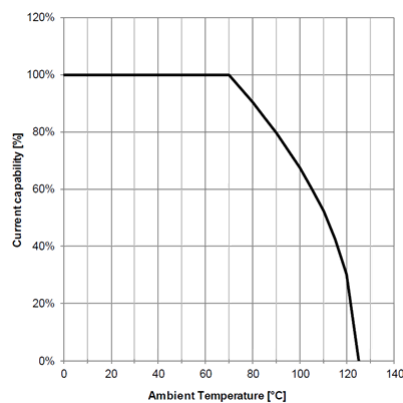
eiSos@we-online.de · www.we-online.de



4. Add impedance graph (Example 744834101):



5. Add derating graph:



RELIABILITY / QUALIFICATION SUMMARY:

There will be no change of the product, therefore no additional reliability or qualification testing will be performed.