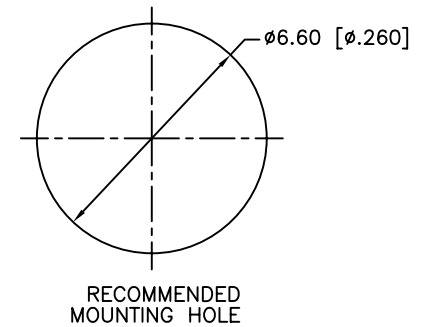
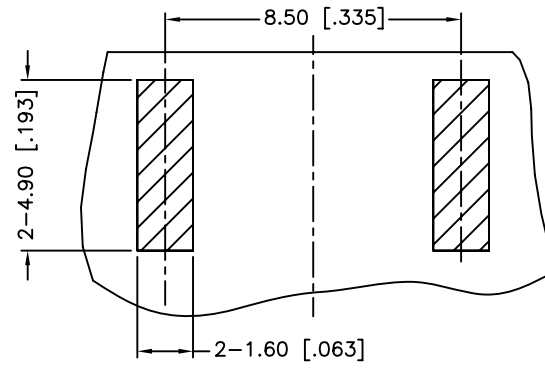
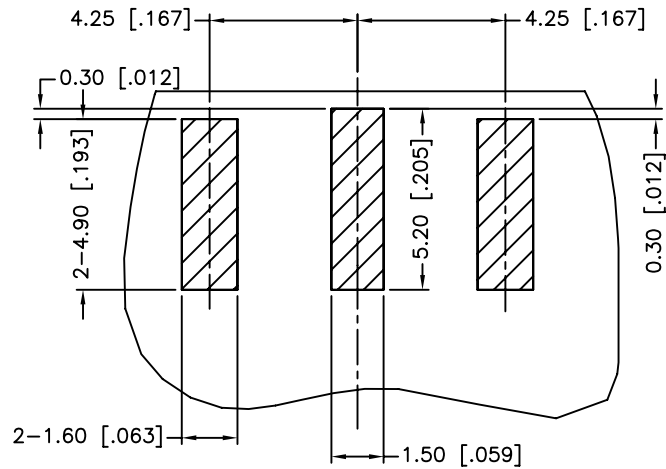
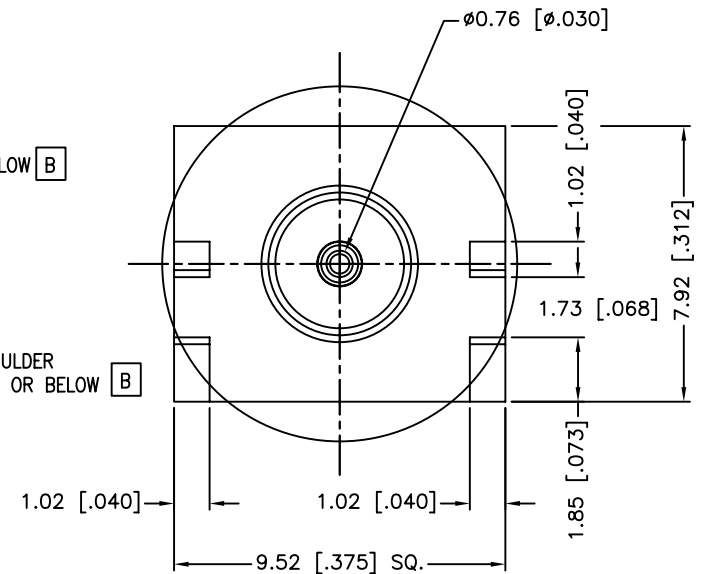
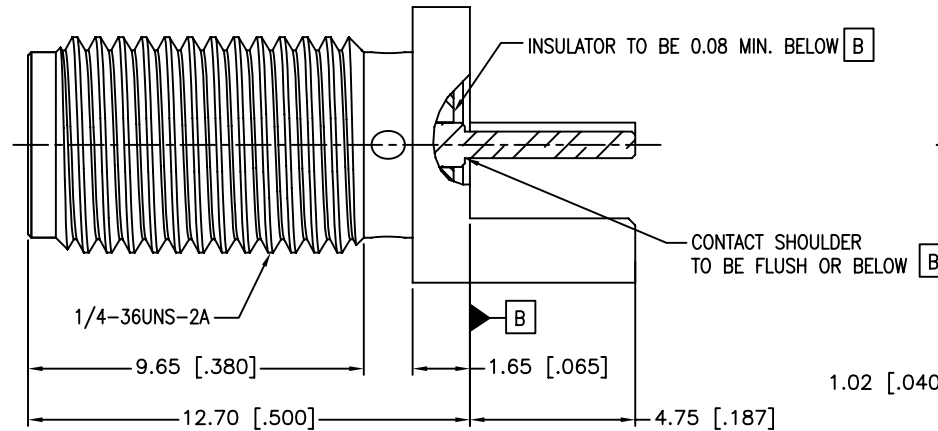
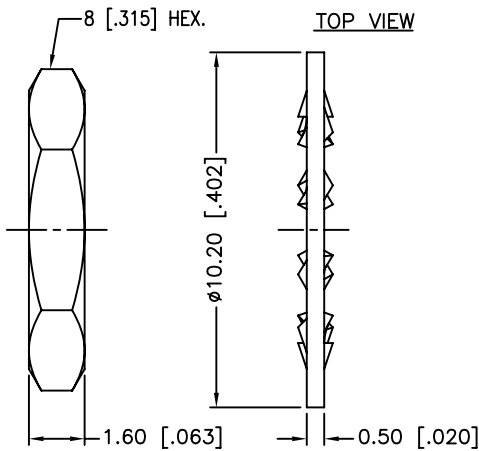


REV.	DATE	ECR NO.	DESCRIPTION
NC	06/19/08	XXXXXX	INITIAL RELEASE
A	10/26/11	2246	ADD THE RECOMMENDED PCB LAYOUT
B	11/30/11	2254	CHANGE THE CONTACT AND INSULATOR



RECOMMENDED PCB LAYOUT

BOTTOM VIEW



1. IMPEDANCE: 50 OHM
2. FREQUENCY RANGE: DC 0-18 GHZ
3. DIELECTRIC WITHSTANDING VOLTAGE: 1000 VRMS, MIN.
4. DURABILITY: 500 CYCLES MIN.
5. TEMPERATURE RANGE: -65°C TO +165°C
6. CONTACT PIN MUST WITHSTAND 6 LBS MIN. AXIAL IN BOTH DIRECTIONS AND 4 IN-OZ MIN. RADIAL FORCE.
7. BOARD THICKNESS=1.57 MM [.062"]
8. MAX. PANEL THICKNESS=3.5mm

UNLESS OTHERWISE SPECIFIED DIMENSIONS ARE IN MILLIMETERS. DIMENSIONS IN [] ARE IN INCHES AND FOR CUSTOMER REFERENCE ONLY.

UNLESS OTHERWISE SPECIFIED TOLERANCES FOR MILLIMETERS ARE:
 0.5 - 8mm ± 0.20mm
 8 - 30mm ± 0.40mm
 30 - 120mm ± 0.50mm

UNLESS OTHERWISE SPECIFIED TOLERANCES FOR INCHES ARE:
 .020 - .315 ± 0.007"
 .315 - 1.180 ± 0.015"
 1.180 - 4.724 ± 0.020"

DO NOT SCALE DRAWING

APPROVALS	DATE
DRAWN M.ZHANG	11/30/11
CHECKED	
ISSUED	
SHEET 1 OF 1	
CAD FILE	C:/CONNEX/132289.DWG

Amphenol Connex

PART DESCRIPTION
**SMA END LAUNCH BULKHEAD JACK
 (.062" BOARD THICKNESS)**

PART NO.
132289

DWG. NO. 132289.DWG REV. A SIZE A SCALE NA

DESCRIPTION	MATERIAL	FINISH	QTY	
5	HEX NUT	BRASS	GOLD	1
4	LOCK WASHER	BRASS	GOLD	1
3	CONTACT PIN	BER. COPPER	GOLD	1
2	INSULATOR	PTFE	NATURAL	1
1	BODY	BRASS	GOLD	1