

# Spezifikation für Freigabe / specification for release

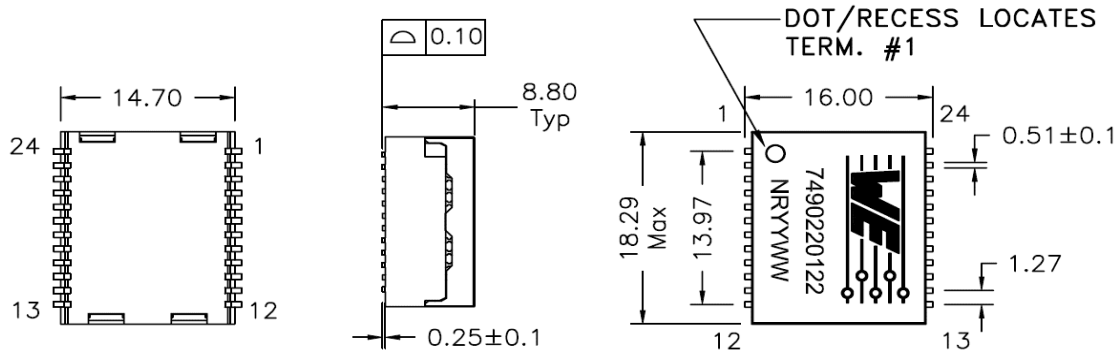
Kunde / customer :  
 Artikelnummer / part number : **7490220122**  
 Bezeichnung : **LAN-Übertrager WE-LAN**  
 description : **LAN-Transformer WE-LAN**



DATUM / DATE : 2018-09-10

## A Mechanische Abmessungen / dimensions :

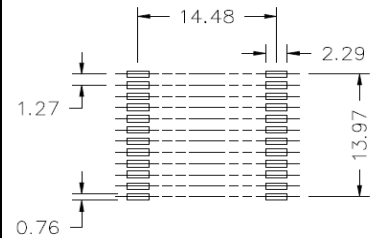
1000 BaseT 4PPoE



## B Elektrische Eigenschaften / electrical properties :

Eigenschaften / properties	Testbedingungen / test conditions		Wert / value	Einheit / unit	tol.
Induktivität / Inductance	100kHz / 100mV @ 24mA DC-Bias	OCL	350	µH	min.
Übersetzungsverhältnis / Turns ratio	100kHz / 100mV	1CT:1CT	1 : 1	Tx	±2%
			1 : 1	Rx	
Insertion Loss	1MHz - 100 MHz	IL	-1,0	dB	max.
Return Loss	1MHz - 30 MHz	RL	-18	dB	min.
	30MHz - 60 MHz		-14		
	60MHz - 80 MHz		-12		
	80MHz - 100 MHz		-10		
Common to Common Mode Rejection	1MHz - 30MHz	CMRR	-40	dB	min.
	30MHz - 60 MHz		-35		
	60MHz - 100MHz		-30		
Crosstalk	1MHz - 60 MHz	CT	-35	dB	min.
	60MHz - 100 MHz		-30		

## C Lötpad / soldering spec. :



## D Prüfgeräte / test equipment :

Agilent E5071C

## E Testbedingungen / test conditions :

Lufffeuchtigkeit / Humidity: 33%  
 Umgebungstemperatur / Temperature: +25°C

## F Werkstoffe & Zulassungen / material & approvals :

Basismaterial / Base material: Ferrit / Ferrite  
 Draht / Wire: 0UEW/Y 180  
 Kontaktmaterial / Contact plating: Cu-Ni-Sn  
 Gehäuse / Case: DAP Black per UL 94V-0

## G Eigenschaften / general specifications :

Betriebstemp. / operating temperature: -40°C - +105°C  
 Hochspannungsprüfung / Hipot test: 1500Vrms 1min.  
 Geeignet für 1000BaseT gemäß kommendem IEEE 802.3bt /  
 Compliant with upcoming IEEE 802.3bt for 4PPoE

Freigabe erteilt / general release:

Kunde / customer			
.....		JaB	Version 05
		JaB	Version 04
Datum / date		JaB	Version 03
		JaB	Version 02
.....		JaB	Version 01
		JLiu	Preliminary
Geprüft / checked		Name	Änderung / modification
.....		Datum / date	

### Würth Elektronik eiSos GmbH & Co.KG

D-74638 Waldenburg · Max-Eyth-Straße 1 - 3 · Germany · Telefon (+49) (0) 7942 - 945 - 0 · Telefax (+49) (0) 7942 - 945 - 400  
<http://www.we-online.com>

# Spezifikation für Freigabe / specification for release

Kunde / customer :

Artikelnummer / part number :

**7490220122**



Bezeichnung : **LAN-Übertrager WE-LAN**

description : **LAN-Transformer WE-LAN**

DATUM / DATE : 2018-09-10

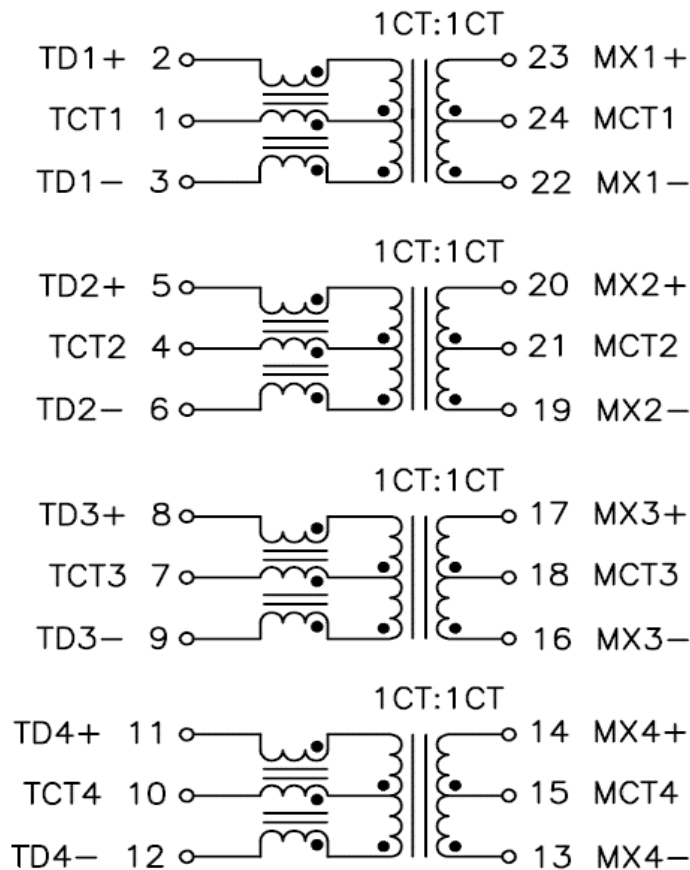
## H PoE Eigenschaften :

Designed für Anwendungen bis 1000mA  
 pro Mittelanzapfung  
 Designed für 50W Anwendungen wenn zwei Kanäle beströmt  
 Designed für 100W Anwendungen wenn vier Kanäle beströmt

## H PoE Specifications :

Designed to support applications up to 1000mA  
 per centre tap  
 Designed for 50W applications when using two channels  
 Designed for 100W applications when using four channels

## I Schaltbild / Schematics :



Datum / date	Unterschrift / signature		
	<b>Würth Elektronik</b>		
Geprüft / checked	Kontrolliert / approved	Name	Änderung / modification
		JaB	Version 05
		JaB	Version 04
		JaB	Version 03
		JaB	Version 02
		JaB	Version 01
		JLiu	Preliminary
		Name	Datum / date

### Würth Elektronik eiSos GmbH & Co.KG

D-74638 Waldenburg · Max-Eyth-Straße 1 - 3 · Germany · Telefon (+49) (0) 7942 - 945 - 0 · Telefax (+49) (0) 7942 - 945 - 400  
<http://www.we-online.com>

# Spezifikation für Freigabe / specification for release

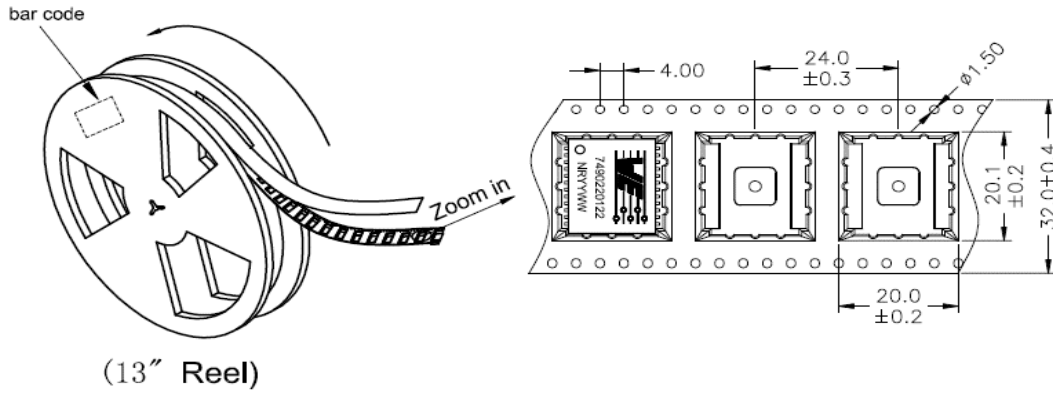
Kunde / customer :  
 Artikelnummer / part number : **7490220122**  
 Bezeichnung : **LAN-Übertrager WE-LAN**  
 description : **LAN-Transformer WE-LAN**



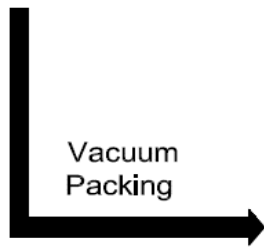
DATUM / DATE : 2018-09-10

## I Rollenspezifikation / tape and reel specification :

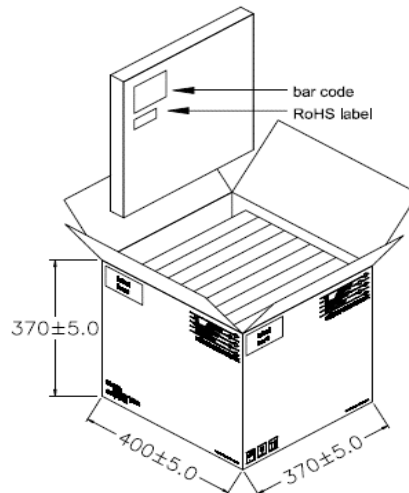
### PACKAGING(Tape & Reel)



(13" Reel)



### Outside Carton



### PACKING QUANTITY:

290 pcs Finished Goods / Reel

8 Reels (2320 pcs Finished Goods) / Carton

Freigabe erteilt / general release:	<b>Kunde / customer</b>		
.....	.....	JaB	Version 05
Datum / date	Unterschrift / signature	JaB	Version 04
.....	<b>Würth Elektronik</b>	JaB	Version 03
.....	.....	JaB	Version 02
Geprüft / checked	Kontrolliert / approved	JaB	Version 01
.....	.....	JLiu	Preliminary
		Name	Änderung / modification
			Datum / date

This electronic component has been designed and developed for usage in general electronic equipment. Before incorporating this component into any equipment where higher safety and reliability is especially required or if there is the possibility of direct damage or injury to human body, for example in the range of aerospace, aviation, nuclear control, submarine, transportation, (automotive control, train control, ship control), transportation signal, disaster prevention, medical, public information network etc, Würth Elektronik eiSos GmbH must be informed before the design-in stage. In addition, sufficient reliability evaluation checks for safety must be performed on every electronic component which is used in electrical circuits that require high safety and reliability functions or performance.

### Würth Elektronik eiSos GmbH & Co.KG

D-74638 Waldenburg · Max-Eyth-Straße 1 - 3 · Germany · Telefon (+49) (0) 7942 - 945 - 0 · Telefax (+49) (0) 7942 - 945 - 400  
<http://www.we-online.com>