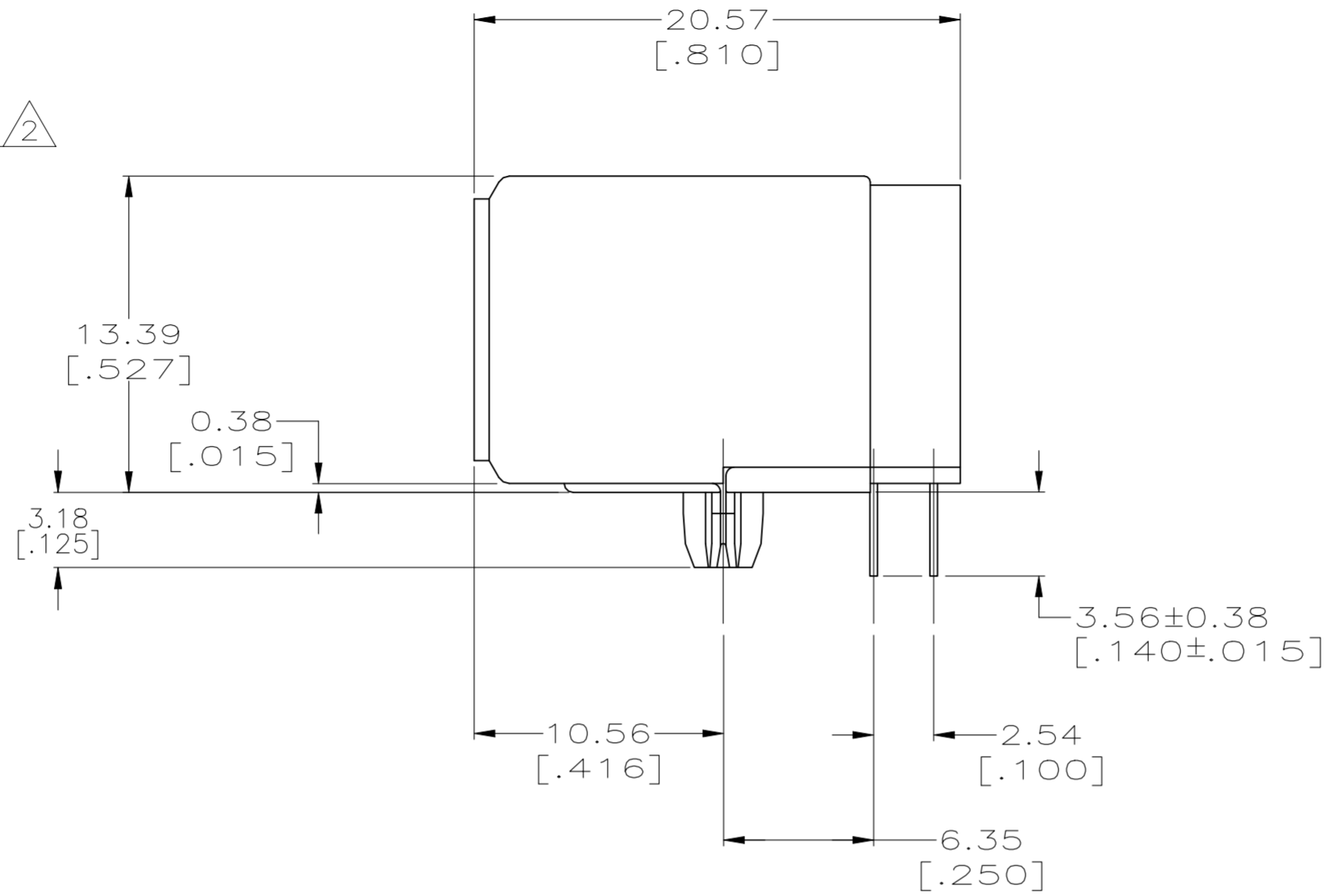
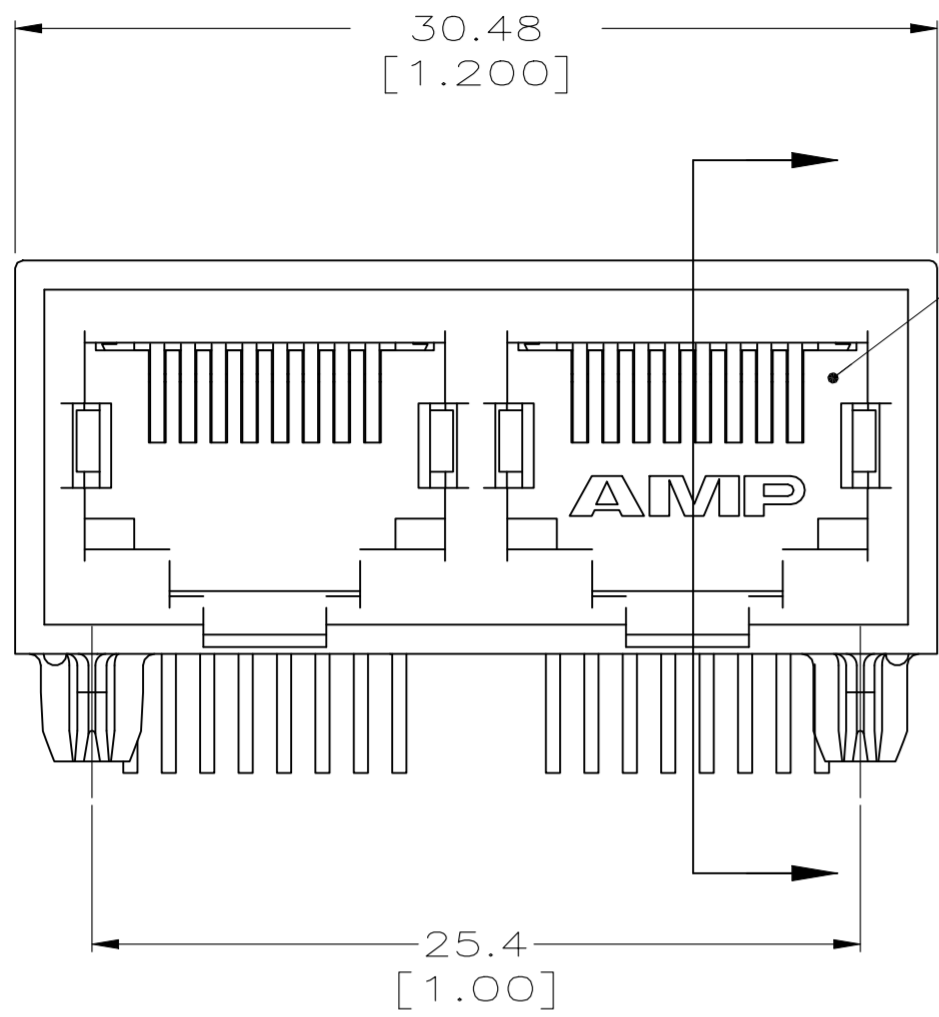
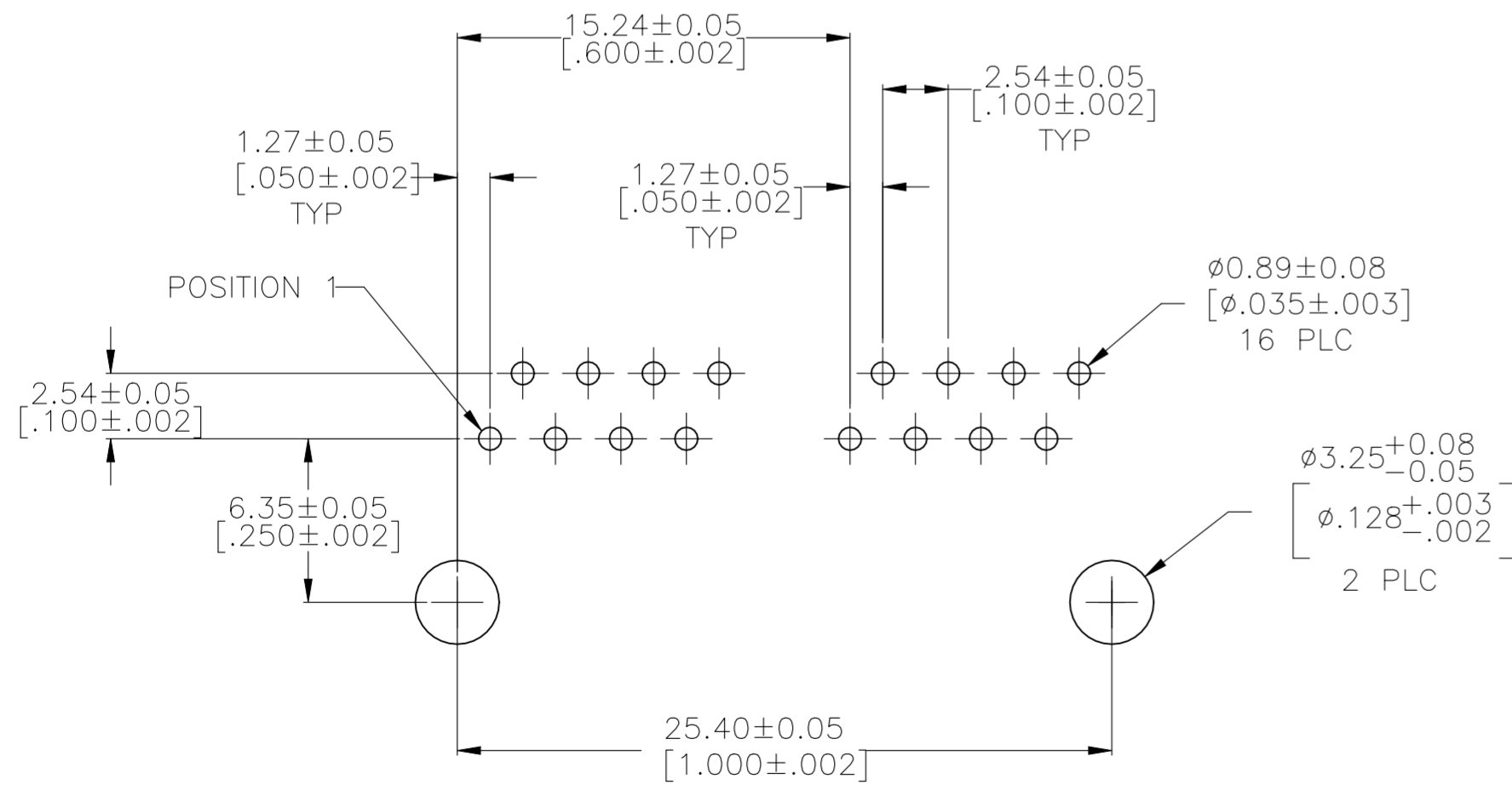


REVISIONS					
P	LTR	DESCRIPTION	DATE	DWN	APVD
B1		ECR-19-014657	13DEC2020	RR	SZ



- 1 MATERIAL:  
 HOUSING - NYLON, COLOR: BLACK, UL 94V-0.  
 OVERMOLDED TERMINAL ARRAY - PBT, BROWN.  
 TERMINAL - 0.33[.013] THICK PHOS-BRONZE PLATED WITH 1.27µm[.000050] THICK HARD GOLD IN LOCALIZED GOLD PLATE AREA AND 3.81µm[.000150] THICK MATTE TIN IN SOLDER AREA OVER 1.27µm[.000050] THICK NICKEL UNDERPLATE.
- △ JACK CAVITY CONFORMS TO FCC RULES AND REGULATIONS PART 68, SUBPART F.



SUGGESTED PC BOARD LAYOUT  
 COMPONENT SIDE  
 SEE APPLICATION SPECIFICATION

THIS DRAWING IS A CONTROLLED DOCUMENT.		DWN	10MAY2005	DL DRUMMOND/L.A.MAYER	
DIMENSIONS: mm		CHK	10MAY2005	J.WESTMAN	
TOLERANCES UNLESS OTHERWISE SPECIFIED:		APVD	10MAY2005	S.FLICKINGER	
0 PLC	± -	PRODUCT SPEC		108-1163-2	
1 PLC	± -	APPLICATION SPEC		114-2048	
2 PLC	± 0.25[.01]	WEIGHT		0.000000	
3 PLC	± 0.13[.005]	CUSTOMER DRAWING		SCALE 4:1	
4 PLC	± -	FINISH		SEE NOTE 1	
ANGLES	± -	SIZE		A2	
		CAGE CODE		00779	
		DRAWING NO		C=6368120	
		RESTRICTED TO		-	
		SHEET		1 of 1	
		REV		B1	

6368120-1  
 PART NUMBER



MODULAR JACK ASSEMBLY,  
 2 PORT, 8 POSITION, CATEGORY 5e,  
 RIGHT ANGLE