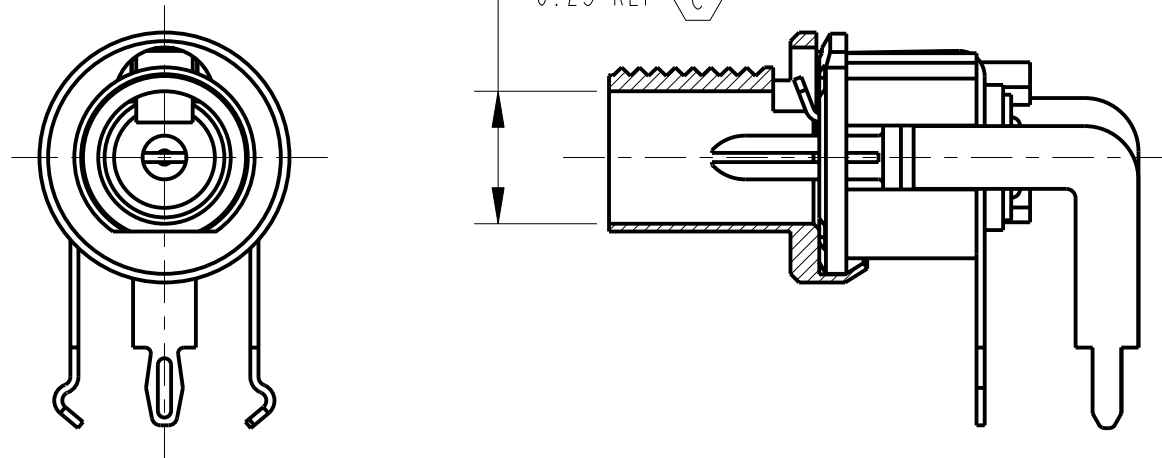


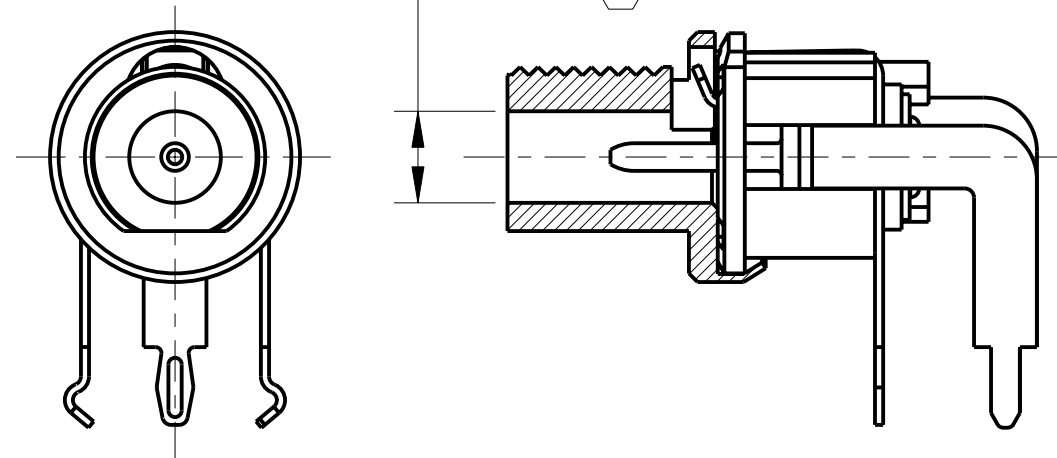
**L712RA**

CENTER PIN  $\varnothing$ 0.098  
SCALE 3:1



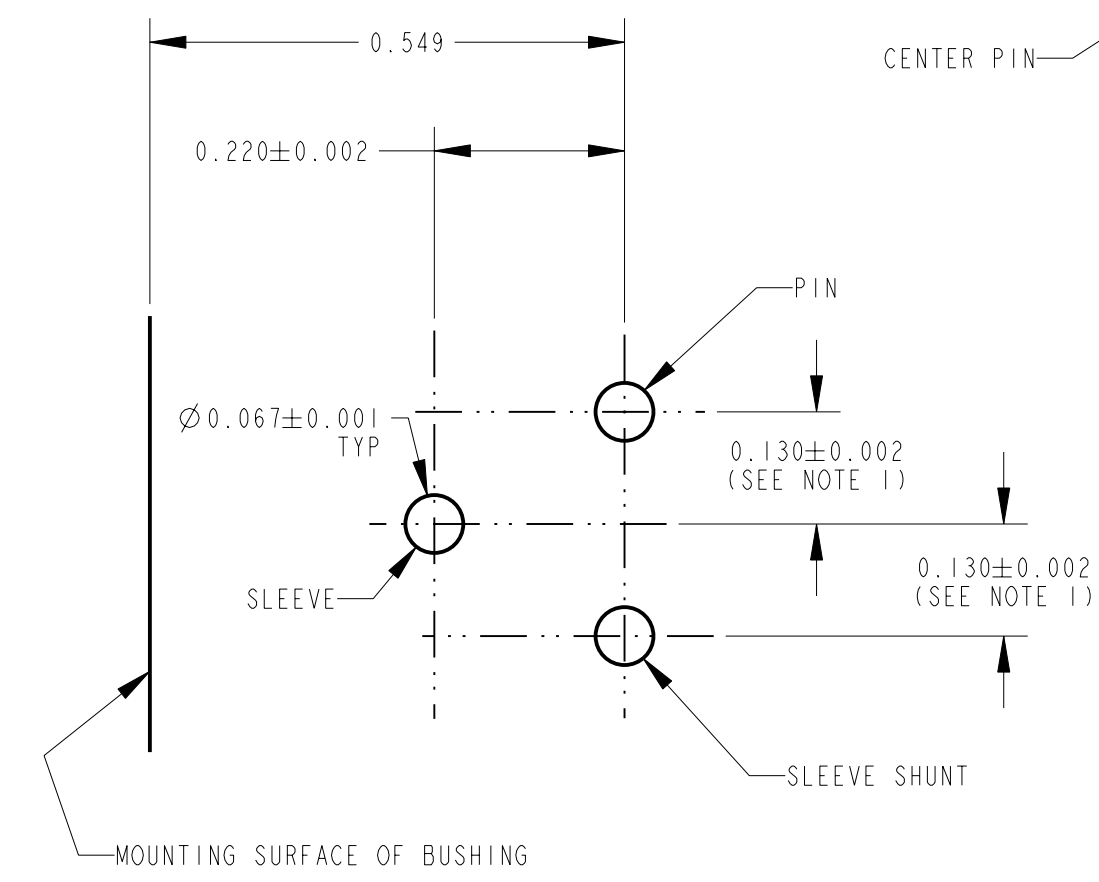
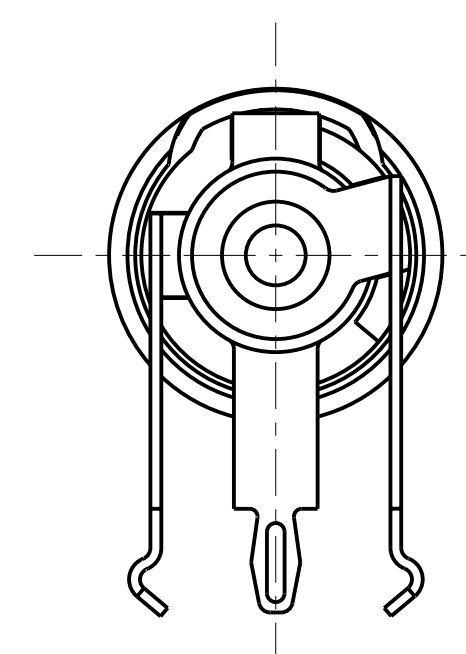
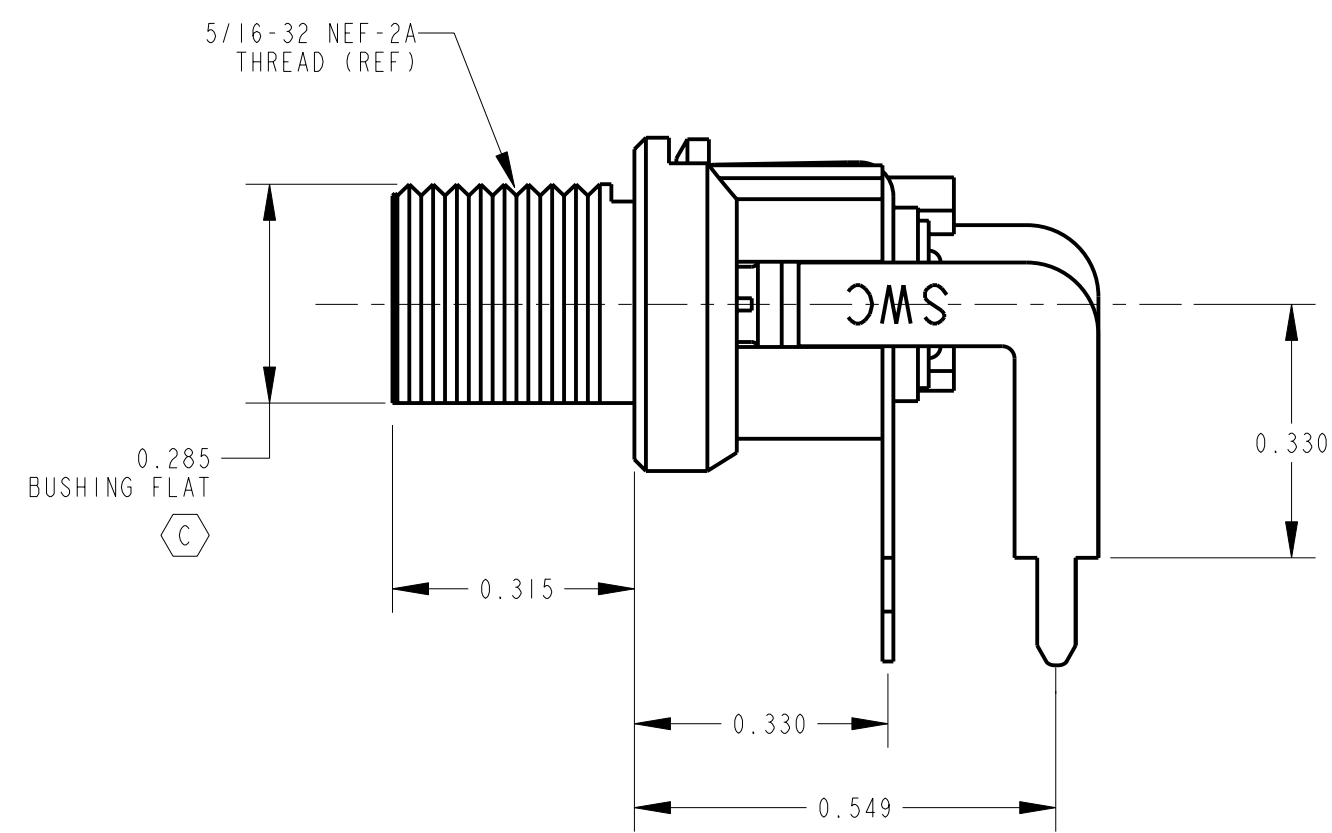
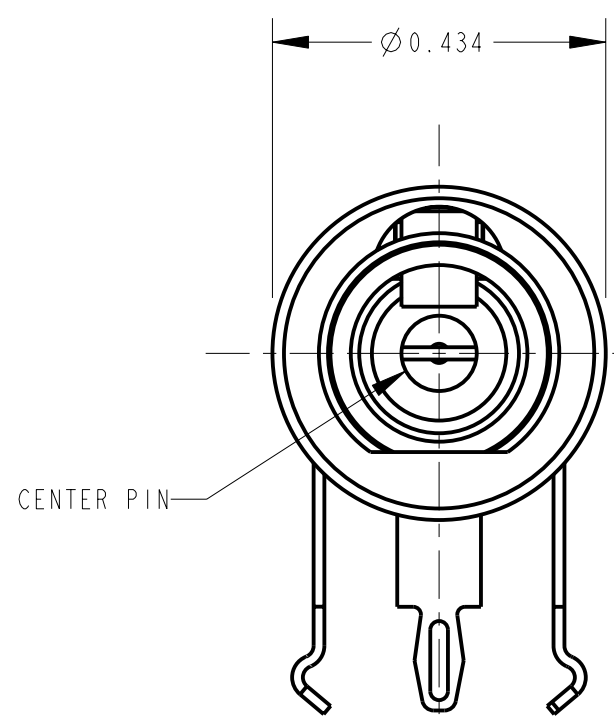
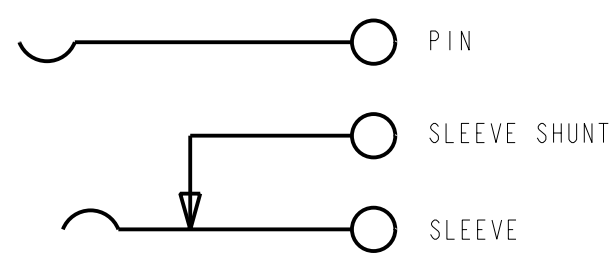
**L722RA**

CENTER PIN  $\varnothing$ 0.076  
SCALE 3:1



**L732RA**

CENTER PIN  $\varnothing$ 0.048  
SCALE 3:1

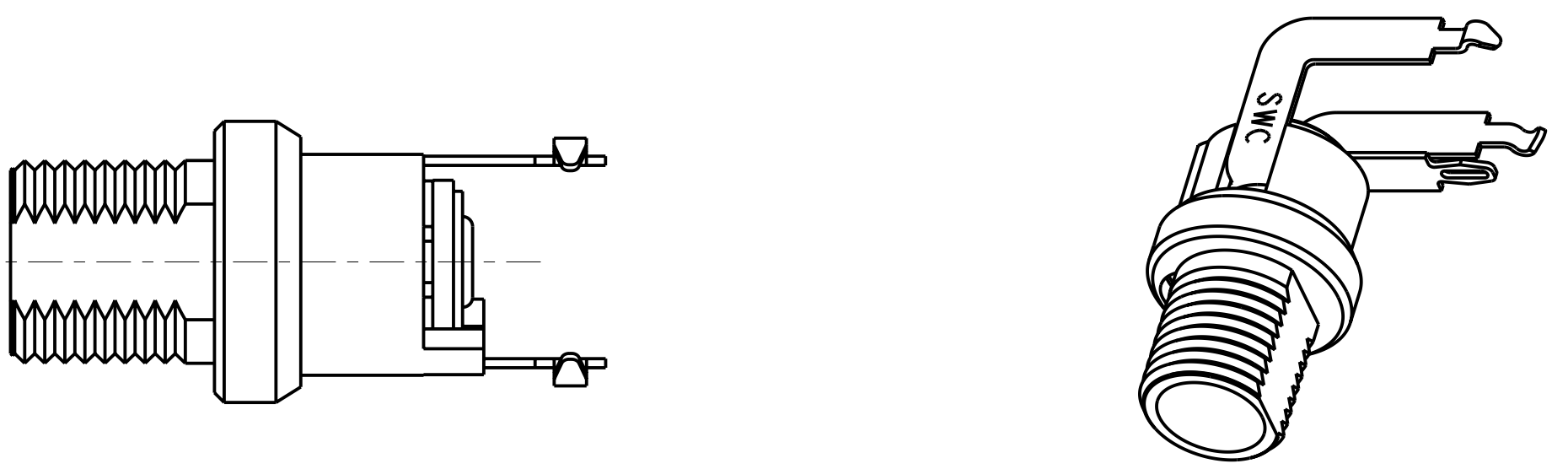


RECOMMENDED PANEL LAYOUT  
(COMPONENT SIDE)

NOTE:

1. FOR HAND INSERTION USE 0.130,  
FOR AUTOMATED INSERTION USE 0.135.
2. WASHER AND HEX NUT SHIPPED UNASSEMBLED.
3. MATERIALS:  
MOUNTING BUSHING - COPPER ALLOY, NICKEL PLATED  
HOUSING - THERMOPLASTIC, BLACK  
PIN, SPRING AND TERMINALS - COPPER ALLOY, SILVER PLATED  
INSULATORS - PHENOLIC  
HARDWARE (NOT SHOWN)  
HEX NUT - COPPER ALLOY, NICKEL PLATED  
FLAT WASHER - STEEL, NICKEL PLATED
4. THESE PRODUCTS ARE RoHS COMPLIANT.

CUSTOMER DRAWING



REV	ECO NUMBER	DATE	BY	APVD
C	26341	2-13-09	TJK	TJK
B	22992	9-1-99	JL	DK
A	RELEASE TO PROD. ECO #22661	3-4-99	MM	JF

★ STAR SYMBOL DENOTES CRITICAL DIMENSION  
UNLESS OTHERWISE SPECIFIED  
1. ALL DIMENSIONS IN INCHES  
- TWO PLACE DECIMALS  $\pm$ 0.01  
- THREE PLACE DECIMALS  $\pm$ 0.005  
- ANGLES  $\pm$ 1°  
- ALL DIA. CONCENTRIC WITHIN 0.005 T.I.R.  
2. FEATURES ON THE SAME CENTERLINE  
MUST BE ALIGNED WITHIN  $\pm$ 0.002  
3. REMOVE ALL BURRS  
DO NOT SCALE DRAWING

THIS DRAWING DESCRIBES A DESIGN CONSIDERED PROPRIETARY IN NATURE, DEVELOPED AND MANUFACTURED BY SWITCHCRAFT INC. AND IS RELEASED ON A CONFIDENTIAL BASIS FOR IDENTIFICATION PURPOSES ONLY.				
SIZE	WIDTH	MULT	LBS/M	TEMPER
FINISH		MATERIAL		
SPEC No.		SPEC No.		
FIRST USED ON		SCALE		
		3:1		
DATE DRAWN	BY	CHKD	APVD	
4-MAR-99	MM	3-4-99	JF	
NAME				REV
LONG BUSHING, RIGHT ANGLE POWER JACK				C

**Switchcraft**

SHEET | OF |  
PART No. L7\_RA\_SERIES