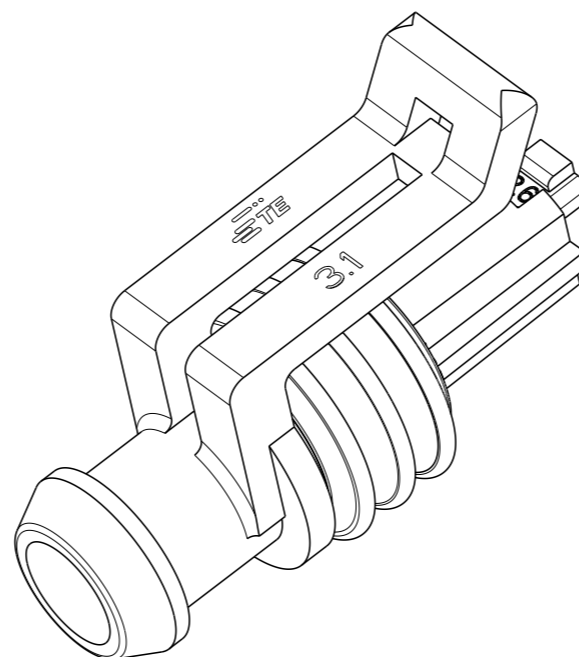
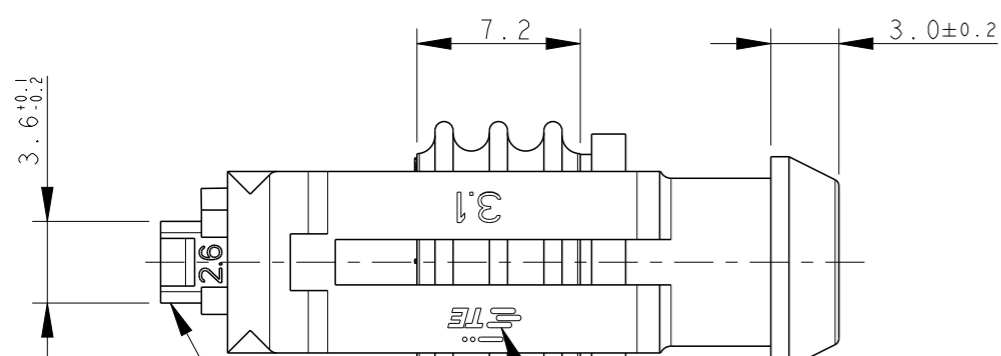
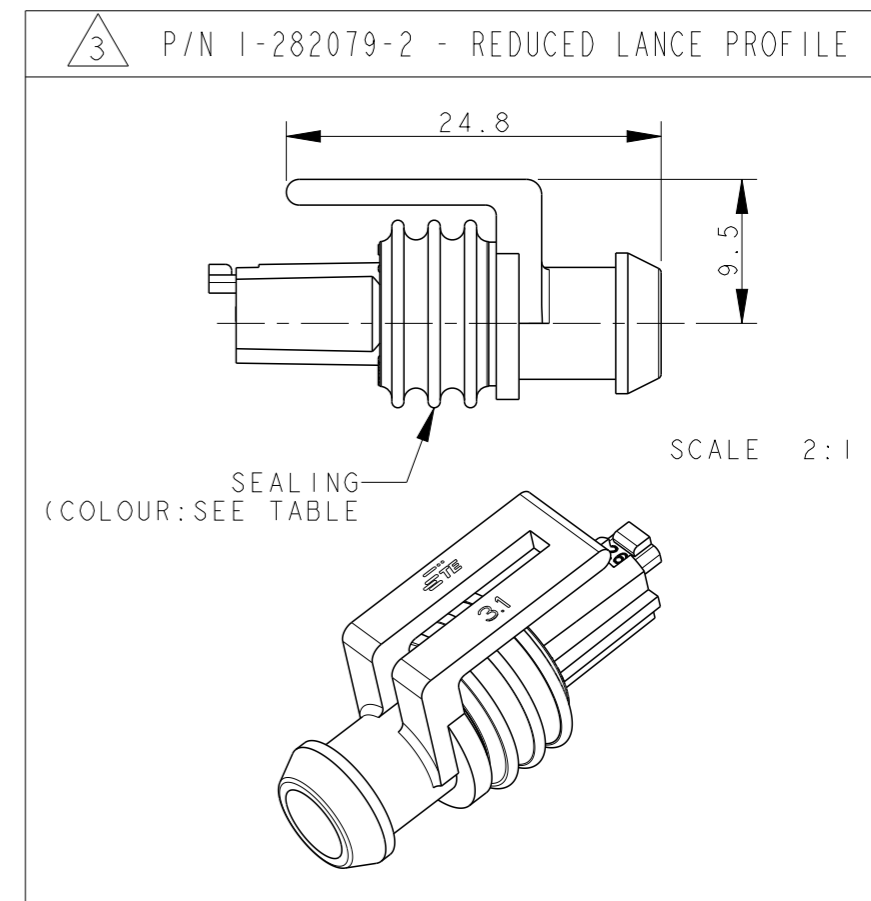
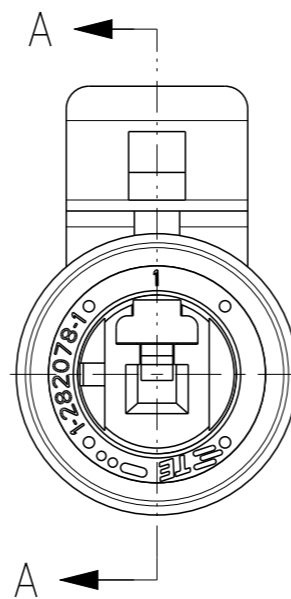
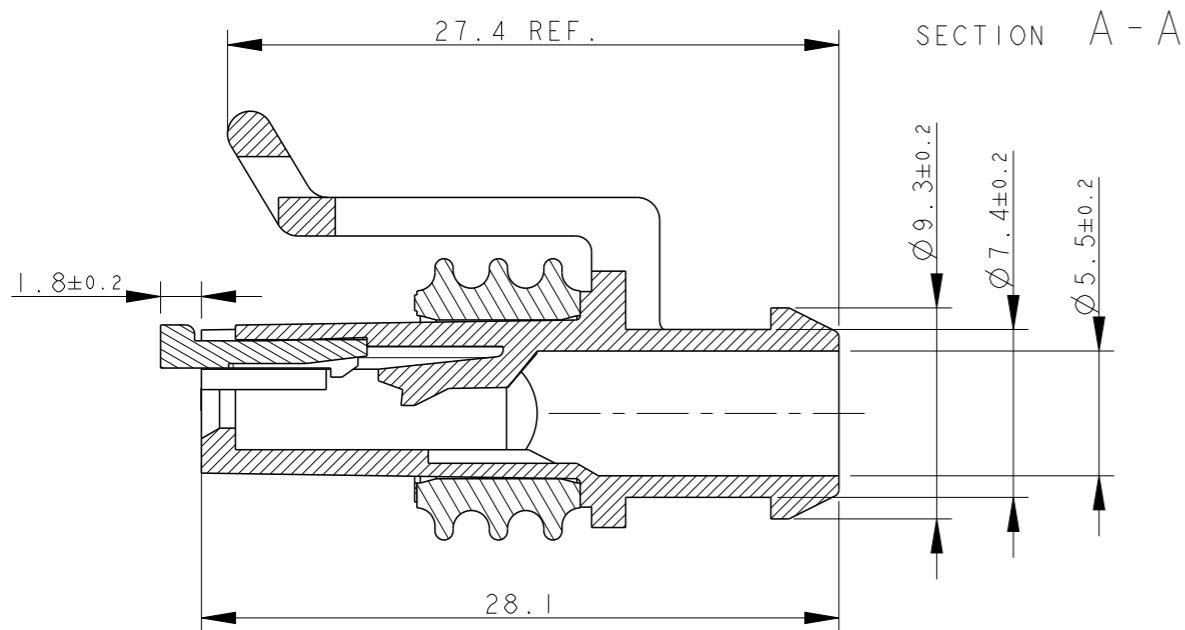


REVISIONS

P	LTR	DESCRIPTION	DATE	DWN	APVD
G		ECR-14-009314	24MAR2015	M.P.	M.G.
G1		REVISED (ECR-15-014031)	25SEP2015	M.G.	M.G.
G2		REVISED PER ECO-17-001706	10FEB2017	C.A.	M.G.
G3		REVISED PER ECO-17-018626	18DEC2017	AP	VN



TE CONNECTIVITY TRADE MARK,  
(IN ALTERNATIVE: "AMP" LOGO, OR "Tyco Electronics" LOGO)

SEALING  
(COLOUR:SEE TABLE)

PRE-ASSEMBLED SECONDARY LOCK  
(COLOUR RED)

**1** WARNING: LOW RETENTION FORCE OF SEALING ON HOUSING (<9N)  
2) FOR COUNTERPART DETAILS, SEE SHEET 2 OF 2

NOTE	SEAL COLOUR	HOUSING COLOR	MATERIAL	PART NUMBER
<b>1</b>	NATURAL	BLACK	HOUSING+SEC.LOCK: PA 66-GF SEALING: LSR (4% OIL CONTENT)	2-282079-2
	YELLOW	<b>3</b> BLACK	HOUSING+SEC.LOCK: PA 66-GF SEALING: LSR (NO OIL CONTENT)	1-282079-2
	YELLOW	GRAY		282079-3
	YELLOW	BLACK		282079-2

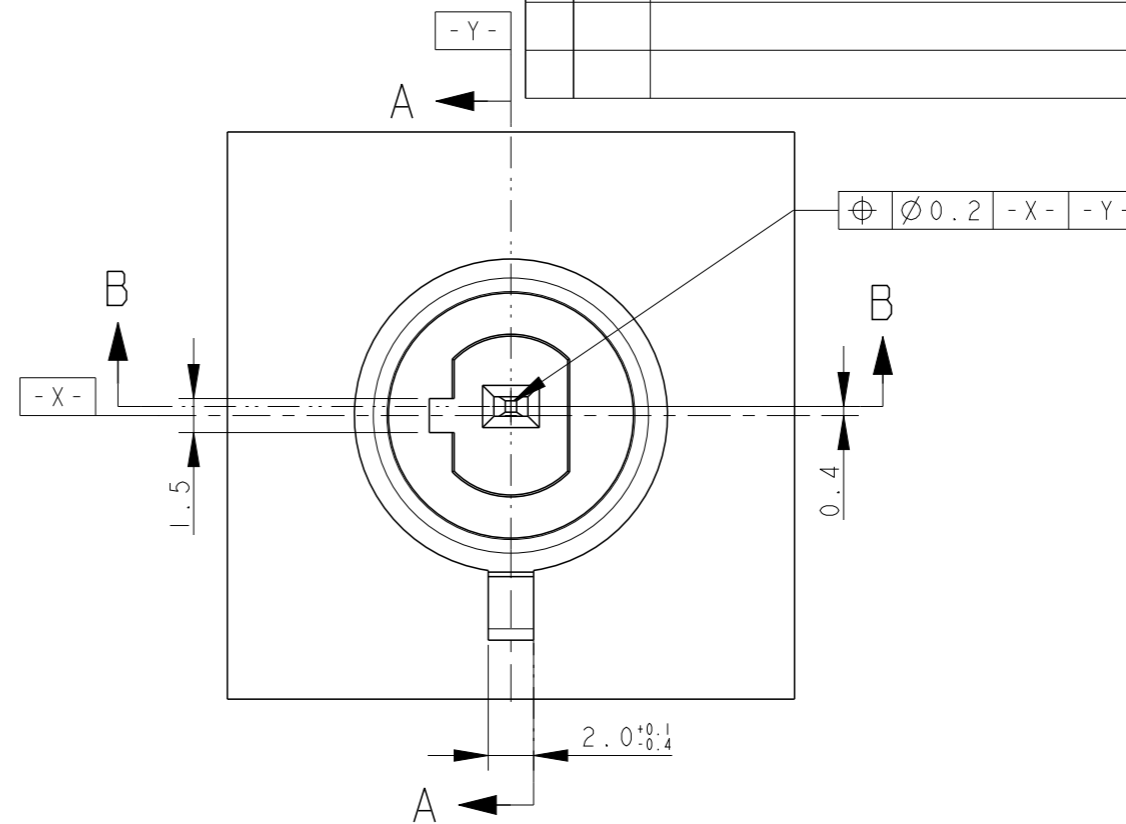
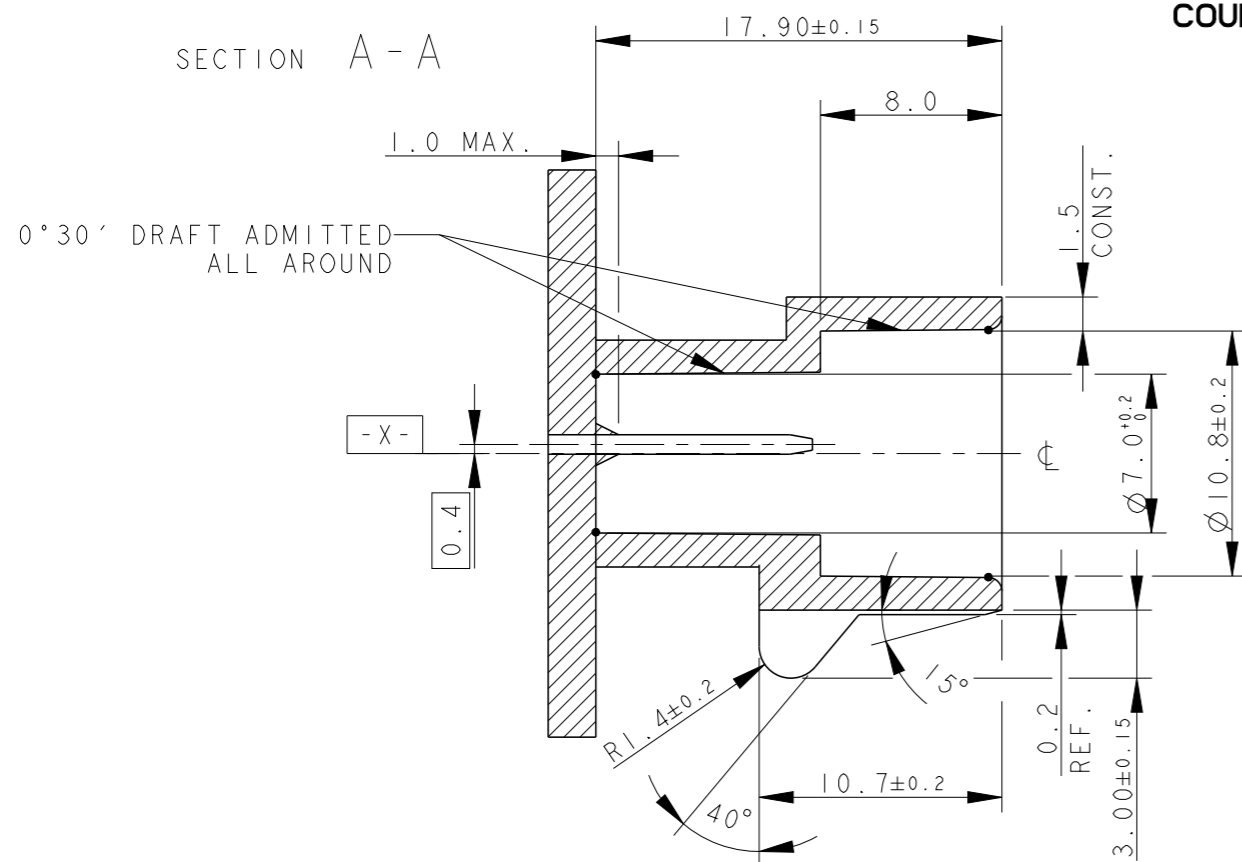
THIS DRAWING IS A CONTROLLED DOCUMENT.		DWN 05-1992 C. BERTINI		TE Connectivity	
DIMENSIONS: mm		CHK 05-1992 A. BRUNI			
TOLERANCES UNLESS OTHERWISE SPECIFIED:		APVD -		NAME -	
0 PLC ±-		PRODUCT SPEC 108-20090		AMP SUPERSEAL 1.5 SRS. 1 POSITION PLUG ASS'Y	
1 PLC ±0.3		APPLICATION SPEC 412-20000			
2 PLC ±-		WEIGHT 1.55gr		RESTRICTED TO -	
3 PLC ±-		Customer Drawing		SIZE A3	
4 PLC ±-		SCALE 3:1		CAGE CODE 300779	
ANGLES ±2°		SHEET 1 OF 2		DRAWING NO C-282079	
FINISH -		REV G3			
SEE TABLE					

REVISIONS

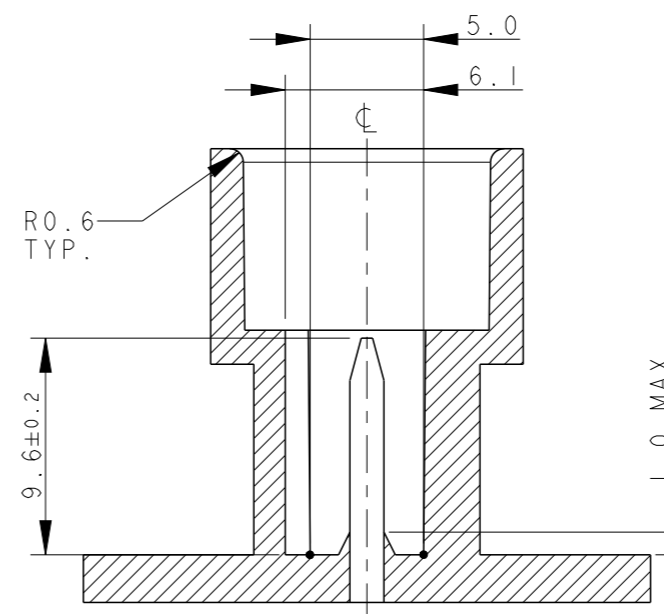
P	LTR	DESCRIPTION	DATE	DWN	APVD
-	-	SEE SHEET 1	-	-	-

COUNTERPART DETAILS

SECTION A - A

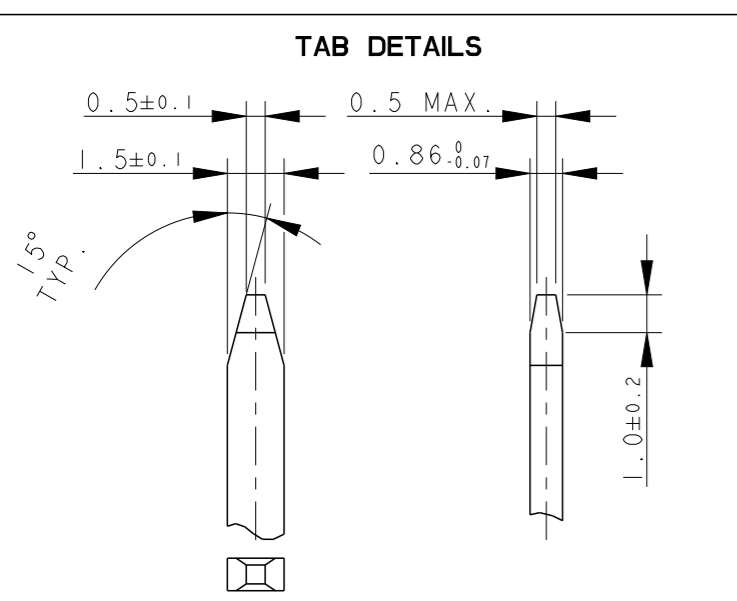


SECTION B - B



MATERIALS: PA66-GF FOR HOUSING  
TIN PLATED BRASS FOR TABS

TAB DETAILS



THIS DRAWING IS A CONTROLLED DOCUMENT.

DWN 05-1992  
C. BERTINI

CHK 05-1992  
A. BRUNI

APVD -

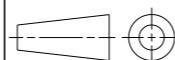
NAME

DIMENSIONS:

mm

TOLERANCES UNLESS OTHERWISE SPECIFIED:

- 0 PLC ±0.3
- 1 PLC ±0.1
- 2 PLC ±0.05
- 3 PLC ±
- 4 PLC ±
- ANGLES ±2°



MATERIAL



FINISH



PRODUCT SPEC  
108-20090

APPLICATION SPEC  
412-20000

WEIGHT  
1.55gr



TE Connectivity

AMP SUPERSEAL 1.5 SRS.  
1 POSITION PLUG ASS'Y

SIZE CAGE CODE DRAWING NO RESTRICTED TO

A300779 C-282079

Customer Drawing

SCALE 5:1 SHEET 2 OF 2 REV G3