

# C1005JB1H331K050BA

TDK Item Description : C1005JB1H331KT\*\*\*

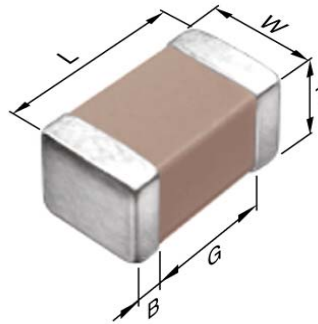


## Application & Main Feature

Commercial Grade ( General (Up to 50V) )

## Series

C1005 [EIA CC0402]



## Dimensions

L 1.00mm +/-0.05mm  
 W 0.50mm +/-0.05mm  
 T 0.50mm +/-0.05mm  
 B 0.10mm Min.  
 G 0.30mm Min.

## Temperature Characteristic

JB (-25 to 85 degC +/-10%)

## Rated Voltage

1H (50Vdc)

## Capacitance

330pF

## Capacitance Tolerance

K (+/-10%)

## Dissipation Factor

2.5% Max.

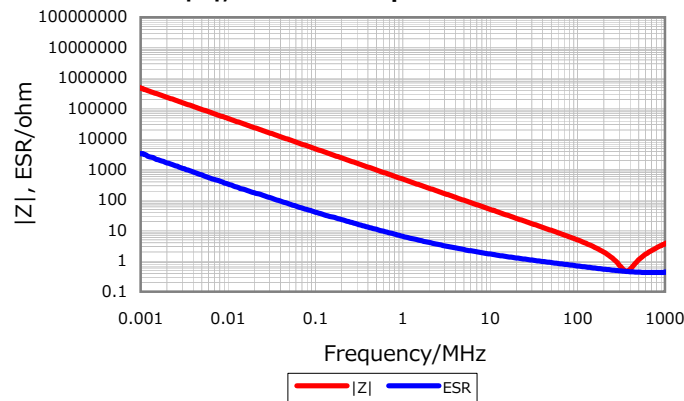
## Insulation Resistance

10Gohm Min.

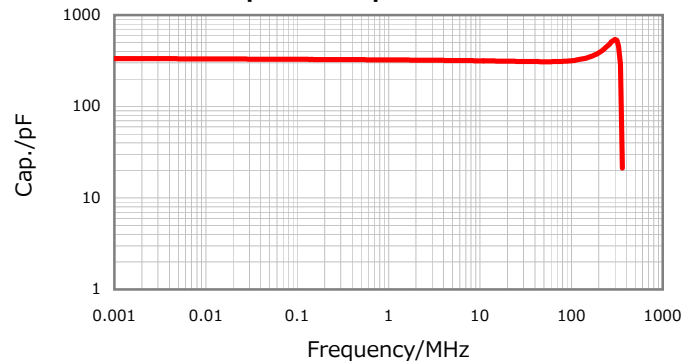
## AEC-Q200

Not Applicable

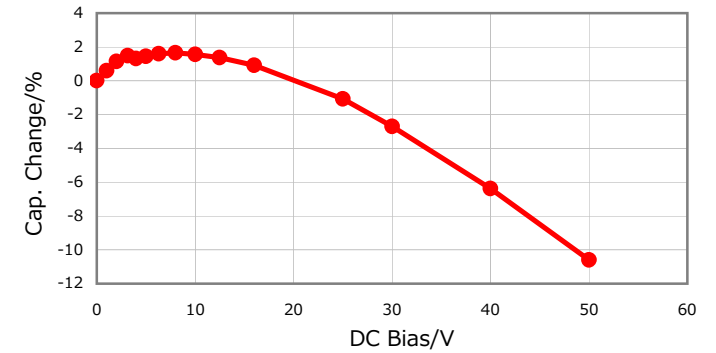
## |Z|, ESR vs. Freq. Characteristics



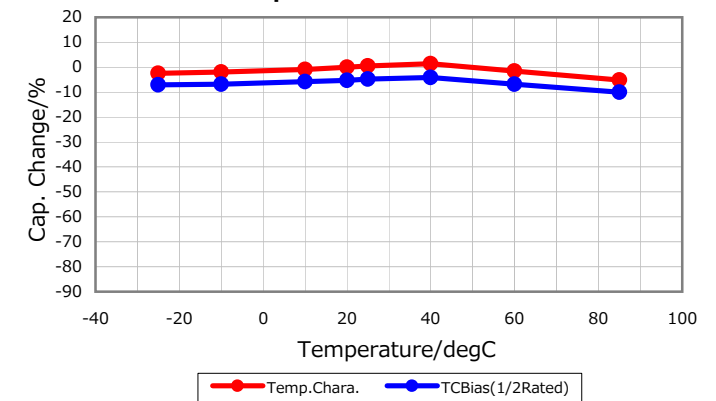
## Cap. vs. Freq. Characteristic



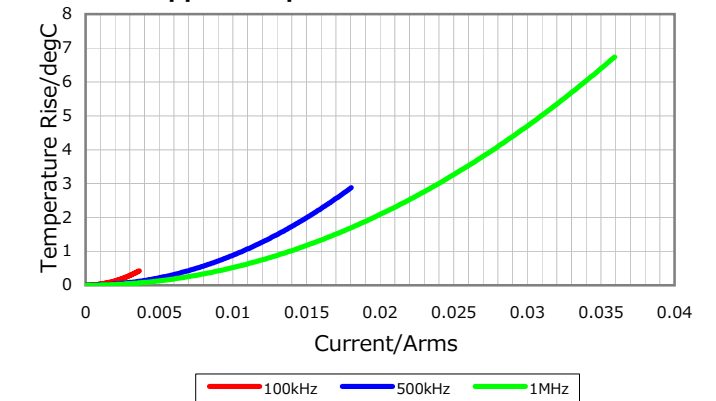
## DC Bias Characteristic



## Temperature Characteristics



## Ripple Temperature Rise Characteristics



Characterization Sheet ( Multilayer Ceramic Chip Capacitors )



All specifications are subject to change without notice.

January 3, 2016